

EXPLODED PARTS DIAGRAM

MODEL	HOUSE CODE or UNIT	FIG.
OM-4 Ti	MDT2	2/9
OM-4 T		

OLYMPUS OPTICAL CO., LTD. TOKYO, JAPAN



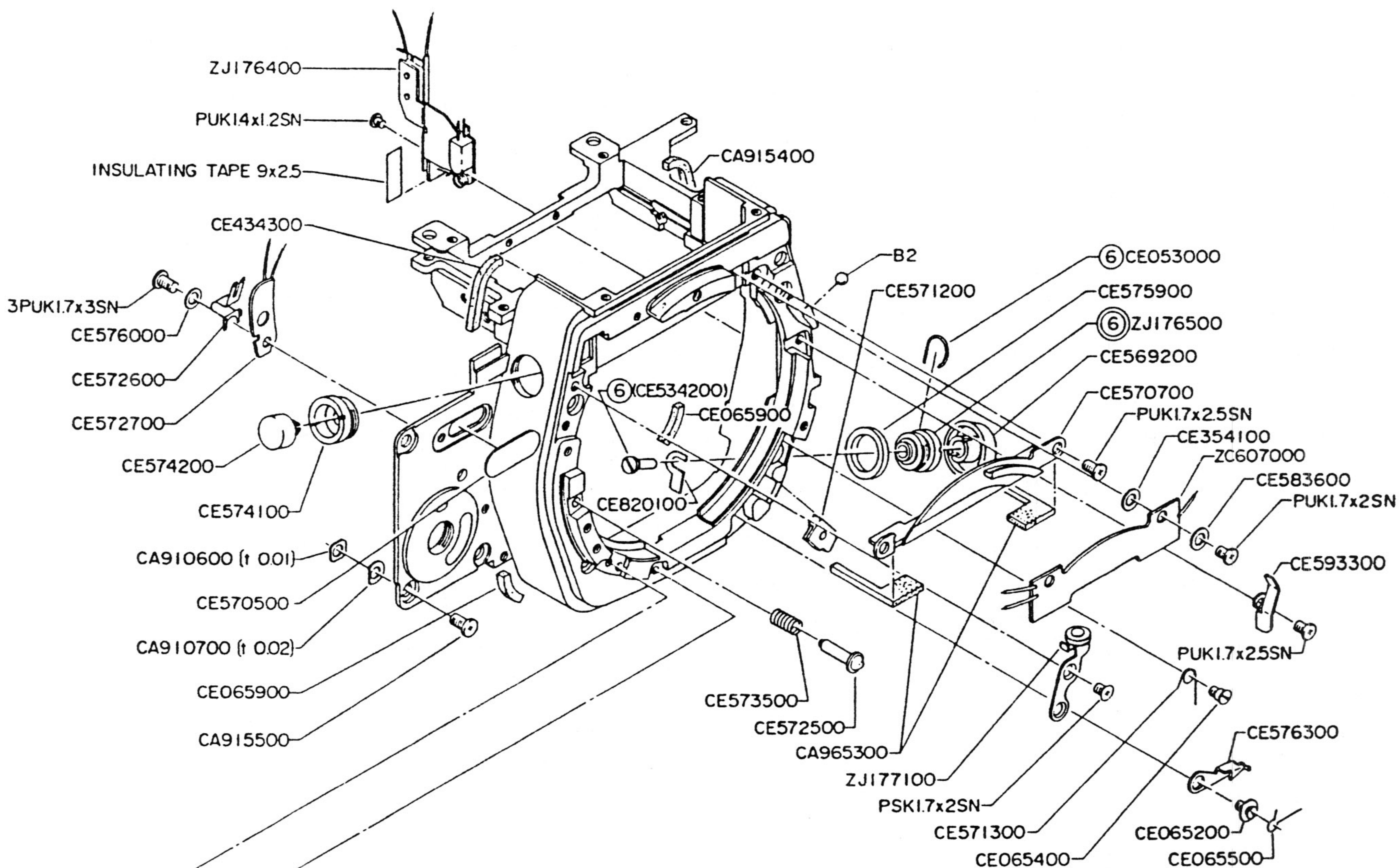
A

B

C

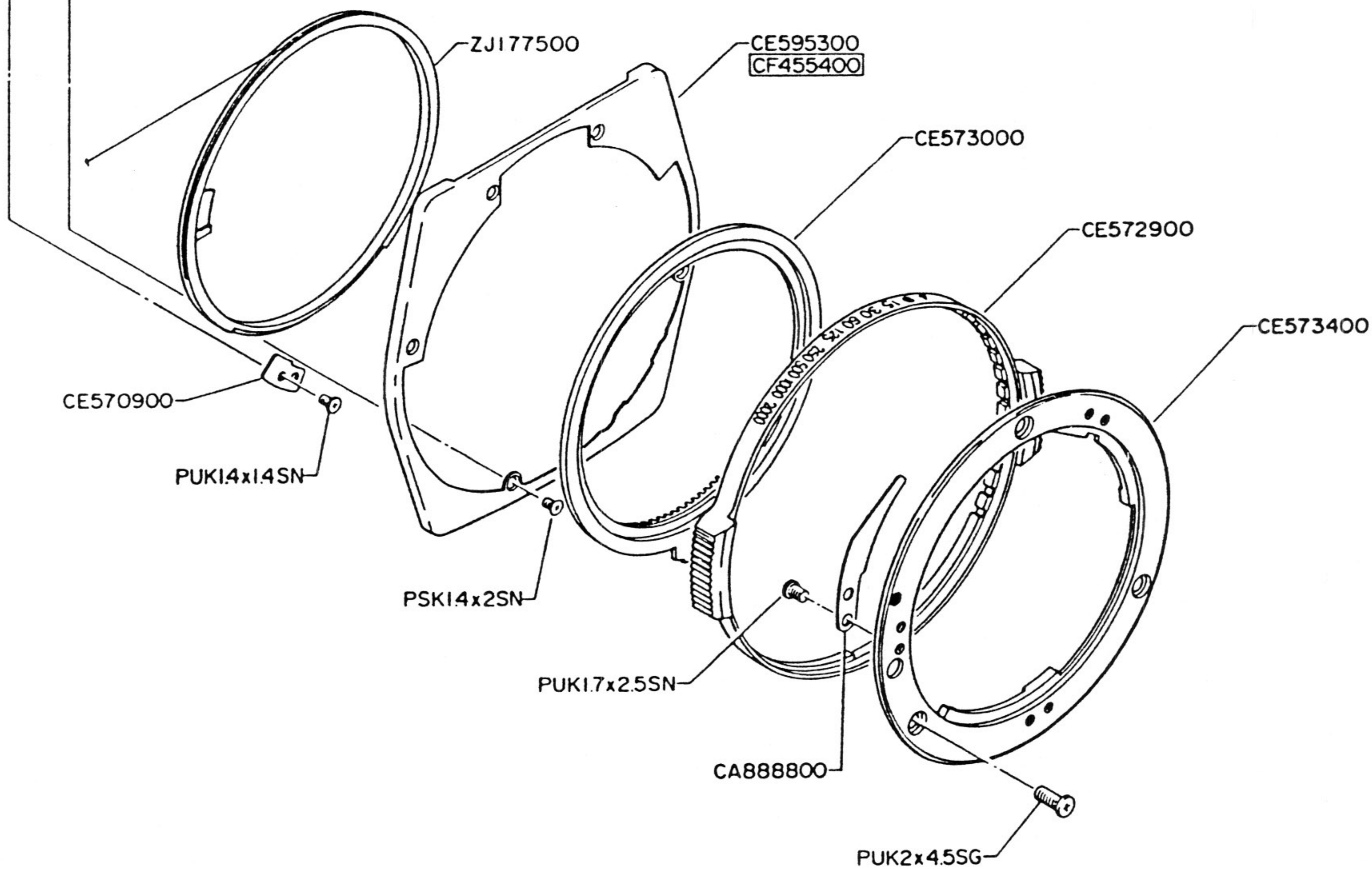
D

1



2

3



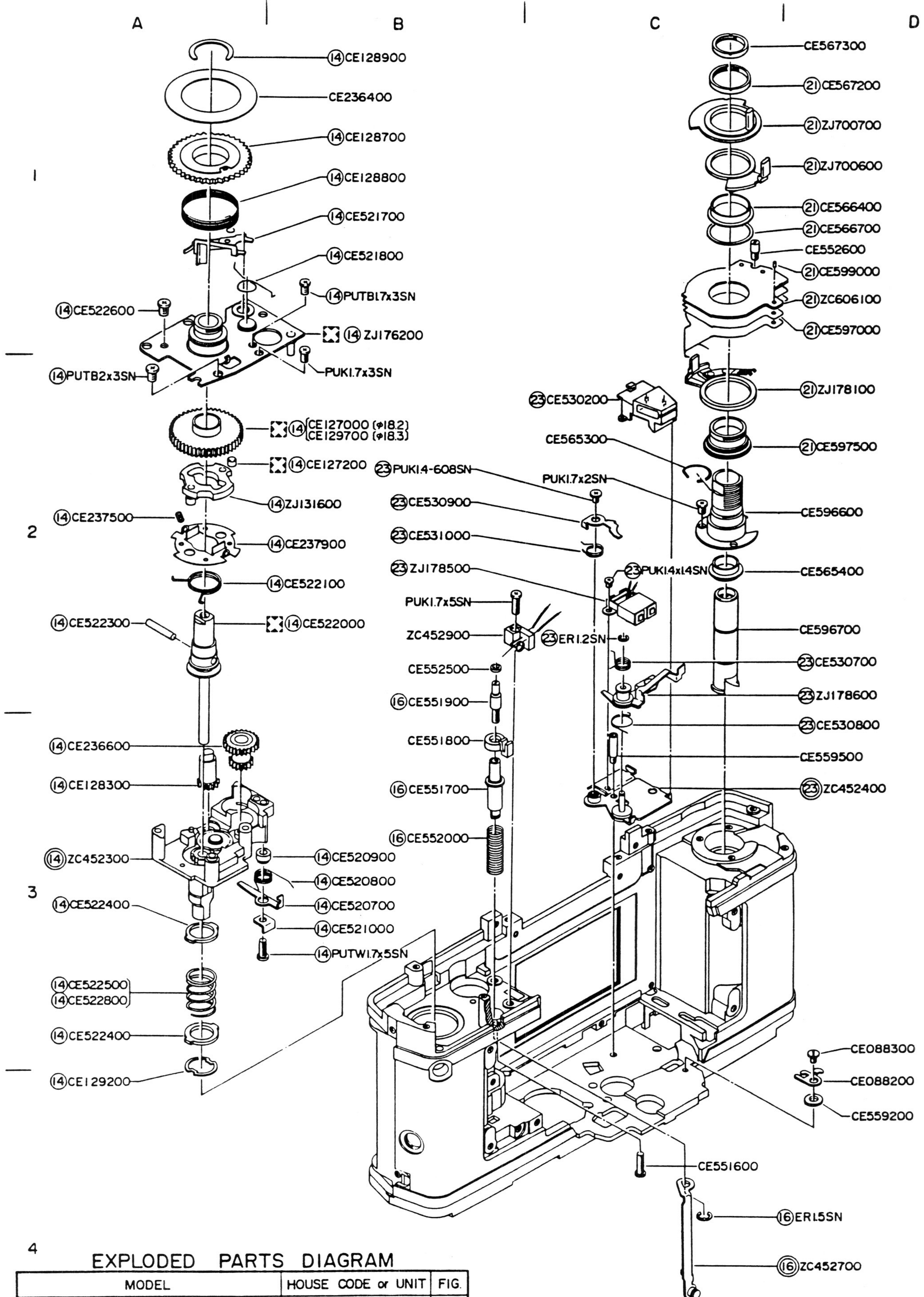
4

## EXPLODED PARTS DIAGRAM

MODEL	HOUSE CODE or UNIT	FIG.
OM-4 TI OM-4 T	MDT2	3/9
OLYMPUS OPTICAL CO., LTD. TOKYO, JAPAN		

0489





4 EXPLODED PARTS DIAGRAM

MODEL	HOUSE CODE or UNIT	FIG.
OM-4 Ti OM-4 T	MDT2	4/9
<b>OLYMPUS OPTICAL CO., LTD. TOKYO, JAPAN</b>		

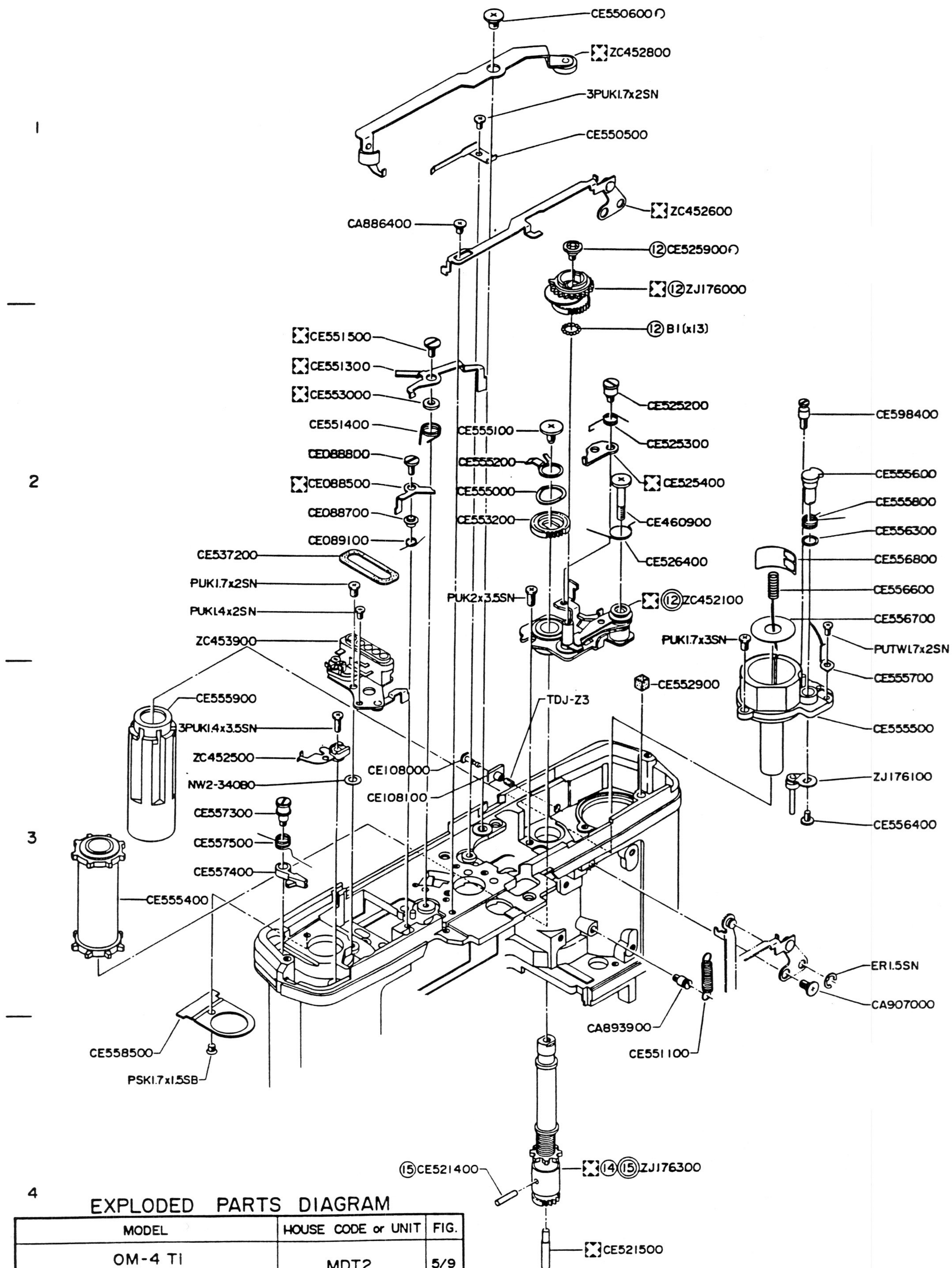


A

B

C

D



2

3

4

## EXPLODED PARTS DIAGRAM

MODEL	HOUSE CODE or UNIT	FIG.
OM-4 Ti OM-4 T	MDT2	5/9
OLYMPUS OPTICAL CO., LTD. TOKYO, JAPAN		

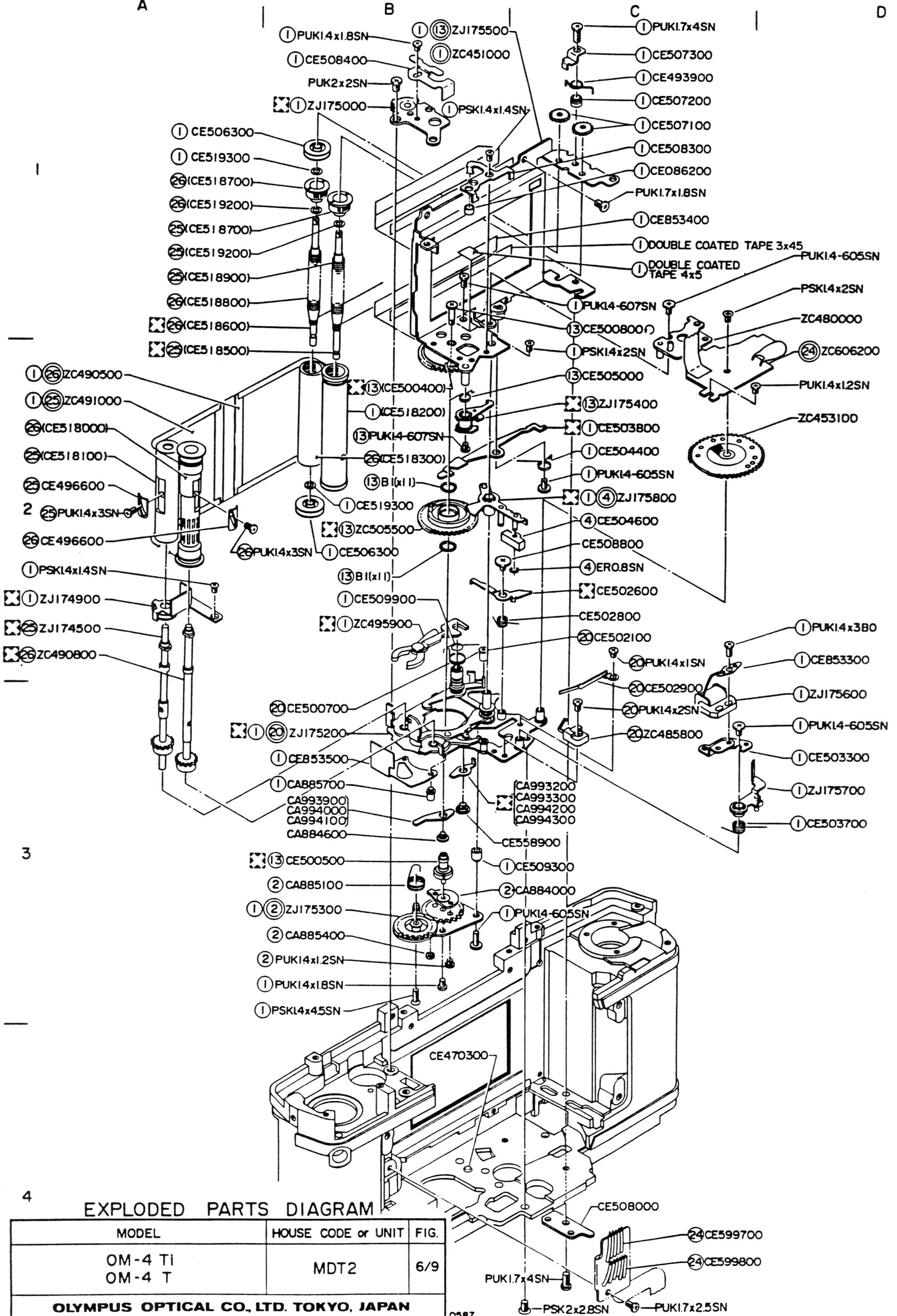


A

B

C

D



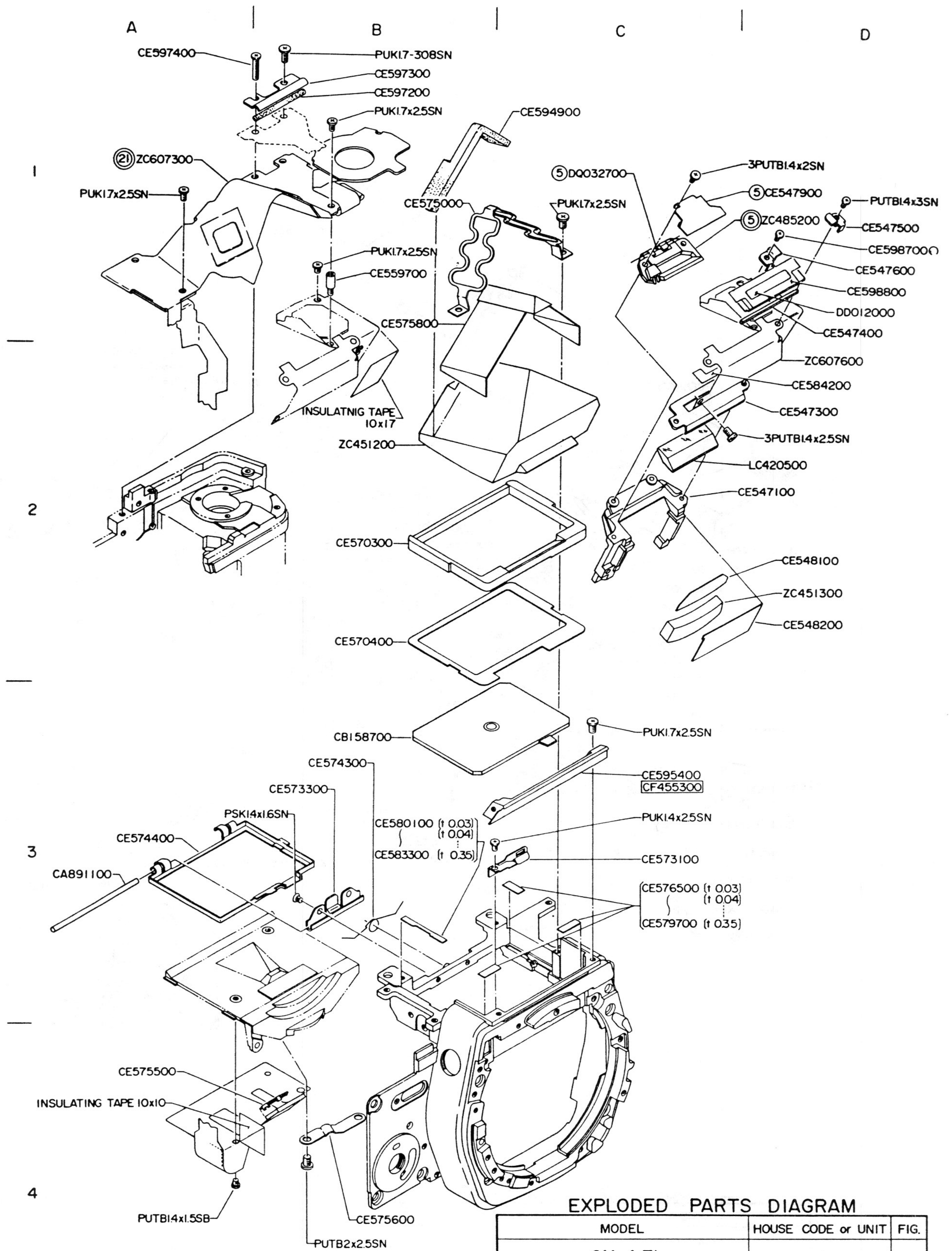
3

4

EXPLODED PARTS DIAGRAM

MODEL	HOUSE CODE or UNIT	FIG.
OM-4 Ti OM-4 T	MDT2	6/9
OLYMPUS OPTICAL CO., LTD. TOKYO, JAPAN		

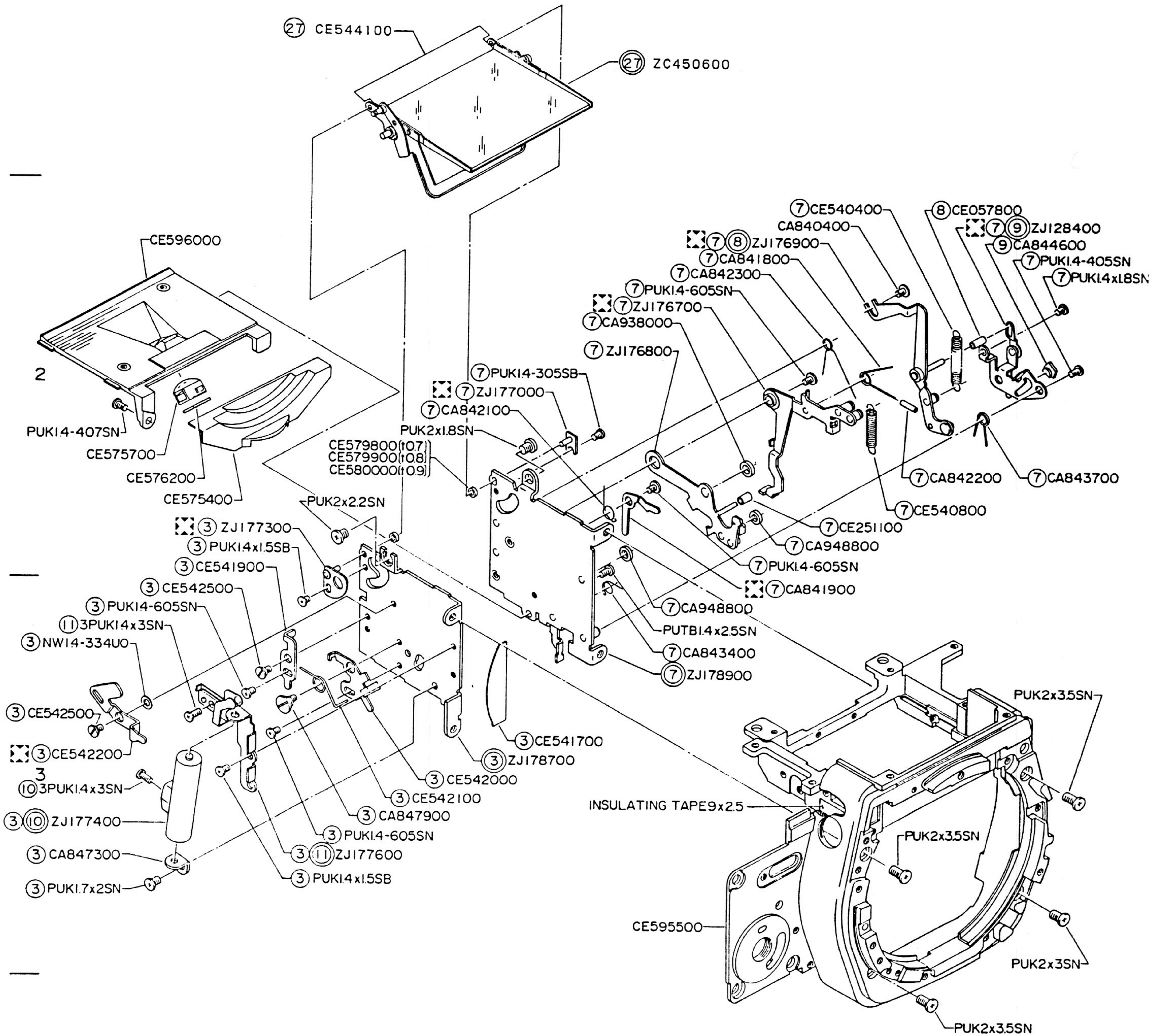




**EXPLODED PARTS DIAGRAM**

MODEL	HOUSE CODE or UNIT	FIG.
OM-4 Ti, OM-4 T	MDT2	7/9
<b>OLYMPUS OPTICAL CO., LTD. TOKYO, JAPAN</b>		





4

### EXPLODED PARTS DIAGRAM

MODEL	HOUSE CODE or UNIT	FIG.
OM-4 Ti OM-4 T	MDT2	8/9
<b>OLYMPUS OPTICAL CO., LTD. TOKYO, JAPAN</b>		

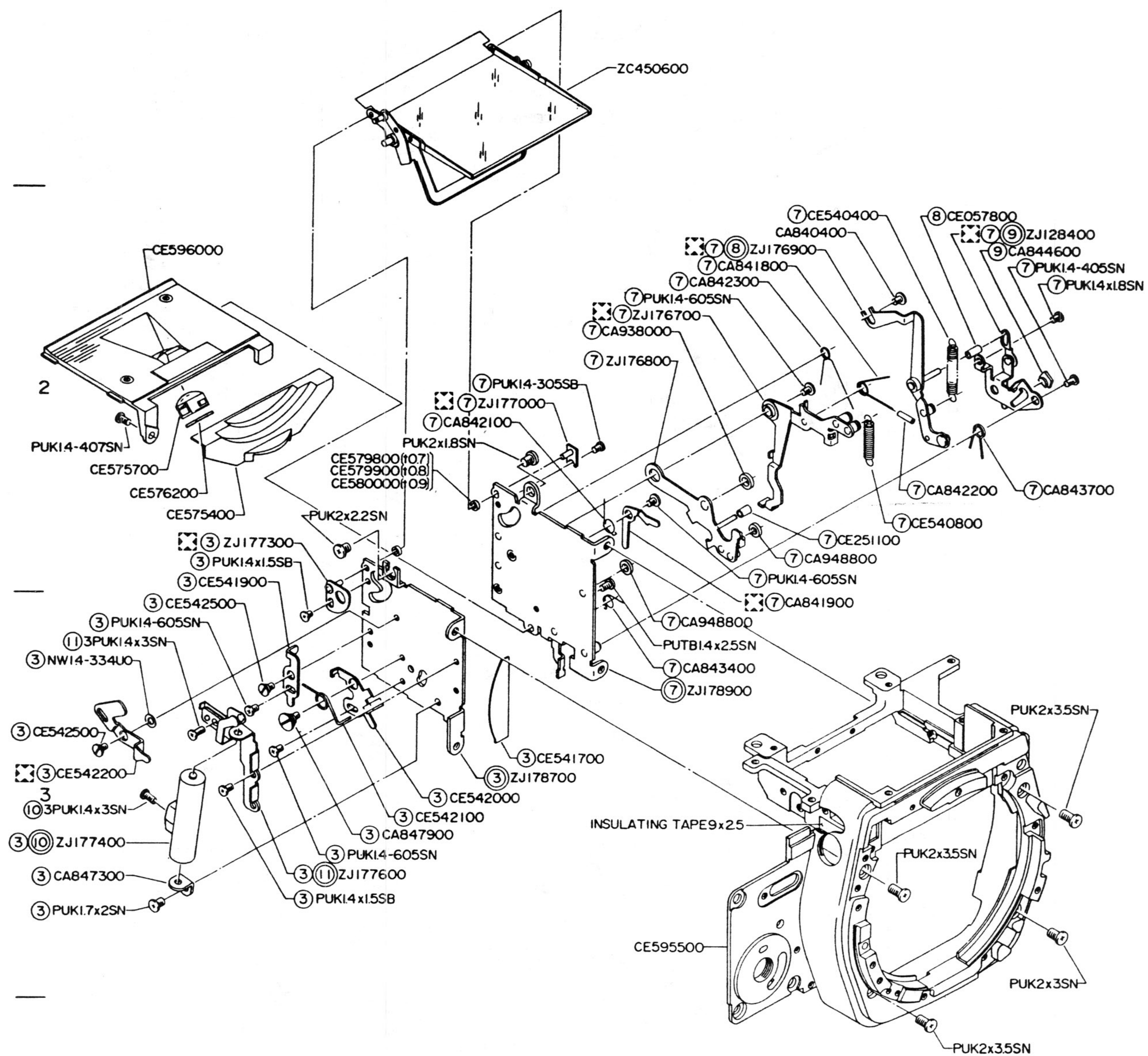


A

B

C

D



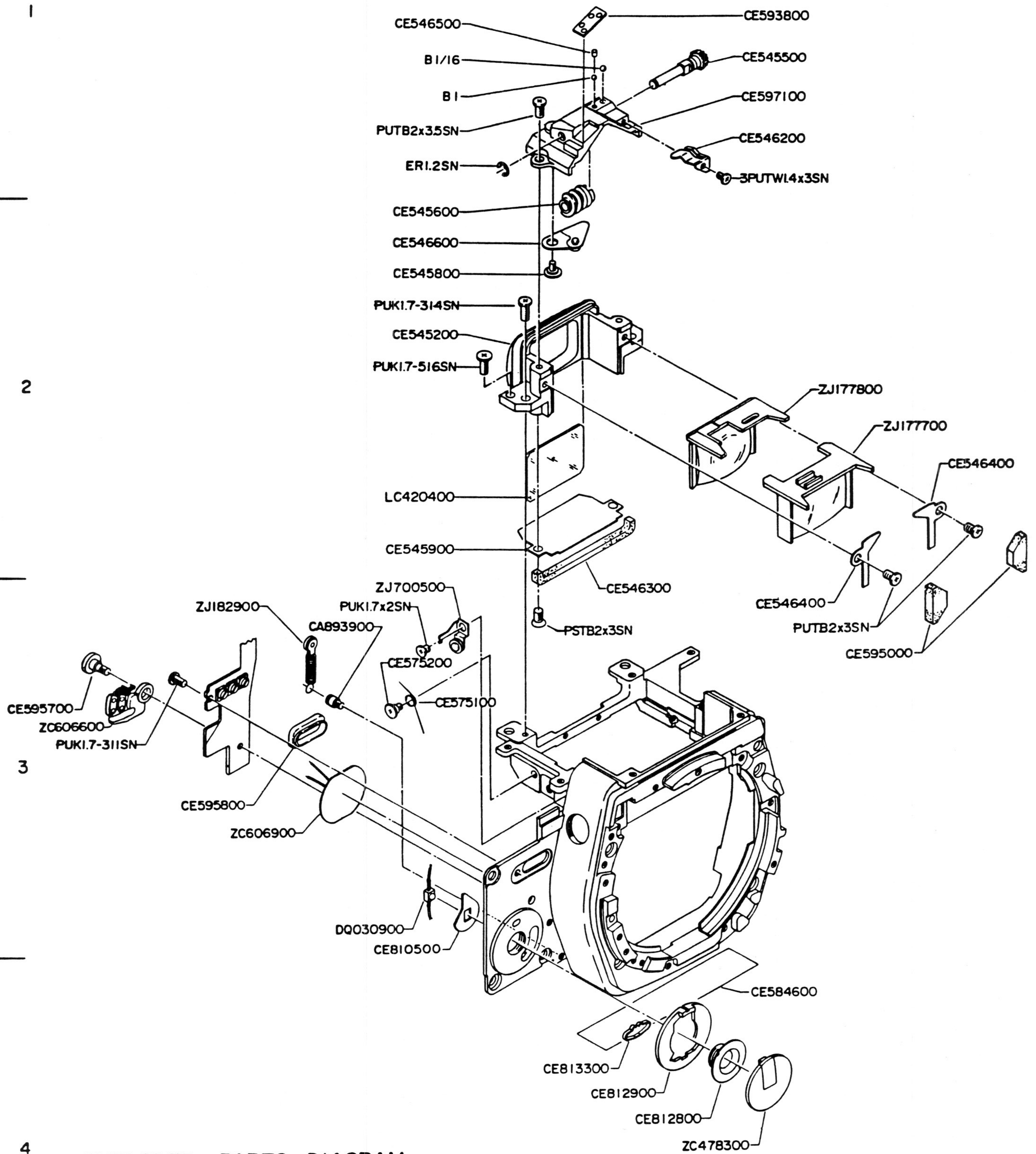
4

## EXPLODED PARTS DIAGRAM

MODEL	HOUSE CODE or UNIT	FIG.
OM-4 Ti OM-4 T	MDT2	8/9
OLYMPUS OPTICAL CO., LTD. TOKYO, JAPAN		

0686





2

3

4

### EXPLODED PARTS DIAGRAM

MODEL	HOUSE CODE or UNIT	FIG.
OM-4 Ti OM-4 T	MDT2	9/9
OLYMPUS OPTICAL CO., LTD. TOKYO, JAPAN		