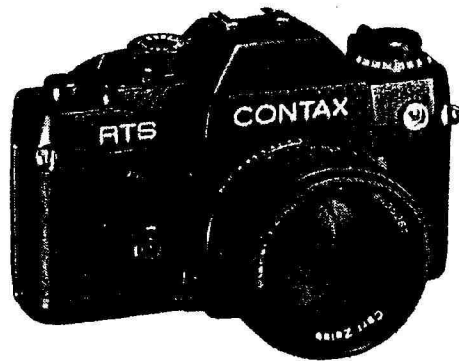


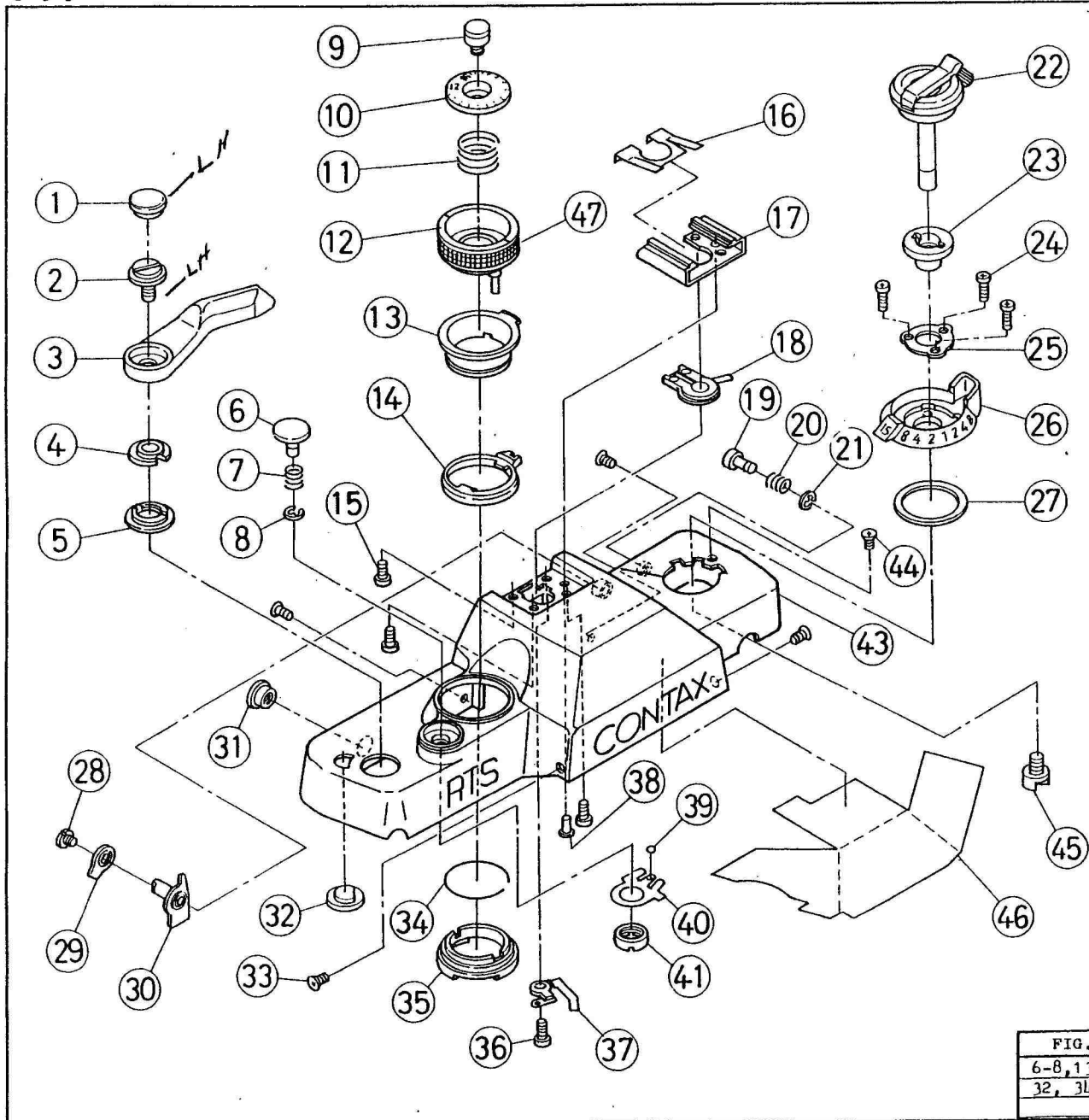
CONTAX

RTS II QUARTZ

ASSEMBLING CHART



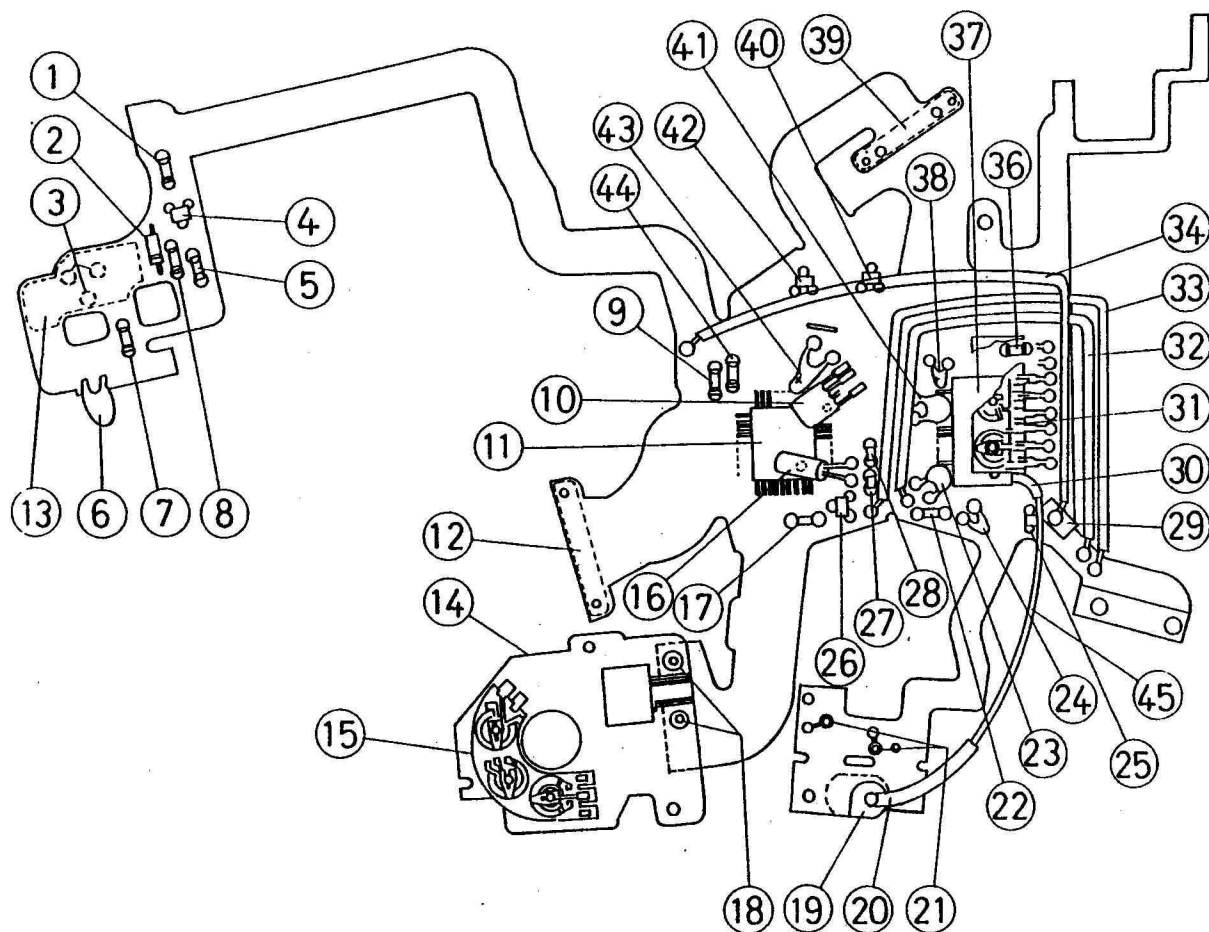
YASHICA CO., LTD.
T O K Y O J A P A N



	PARTS NO.	DESCRIPTION	Q'TY
1	141 273	Winding Lever Dress Screw	1
2	141 272	Winding Lever S.S.	1
3	141 270	Winding Lever	1
4	141 271	Winding Lever Base	1
5	141 274	Top Cover Nut	1
6	141 182	Release Button	1
7	141 183	Release Spring	1
8	66102025	E - Ring	1
9	141 266	ASA Name Plate Dress Screw	1
10	141 263	ASA Name Plate	1
11	141 264	ASA Dial Spring	1
12	071 260	ASA Dial Ass'y	1
13	141 171	Correction Indicator Needle	1
14	141 170	Main SW Lever	1
15	63911822	Accessory Shoe S.S.	3
16	139 178	Shoe Dress Plate	1
17	141 161	Accessory Shoe	1
18	071 162	Shoe Contact Ass'y	1
19	141 167	S. Lock Button	1
20	139 192	S. Lock Button Sp.	1
21	66101225	E. Ring	1
22	071 251	Rewind Knob Ass'y (See! Page#10)	1
23	131 676	Rewind Shaft Holder Nut	1
24	61914026	Shutter Dial S.S.	3
25	131 200	Shutter Dial Holder	1
26	141 250	Shutter Dial	1
27	131 181	Shutter Dial Moquette	1
28	141 178	ES. Driving Lever S.S.	1
29	141 174	ES. Driving Lever	1
30	071 177	ES. Driving Cam Ass'y	1
31	139 164	Release Socket Dress Ring	1
32	131 162	Counter Window	1
33	131 391	Top Cover S.S.	1
34	141 172	Correction Indicator N. Stopper	1
35	141 169	M. SW Click Ring	1
36	63912526	Shoe Contact Plate (1) S.S.	1
37	139 174	Shoe Contact Plate (1) Ass'y	1
38	141 165	Shoe Contact Plate Pin	1
39	66701220	Steel Ball	1
40	141 184	M. SW Click Plate	1
41	141 185	Click Plate Nut	1
43	★	Top Cover	1
44	61811822	Top Cover S.S.	1
45	131 658	Rewind Shaft	1
46	141 173	Top Cover Insulation Sheet	1
47	141 261	Dial Cover	1

FIG. NO.	PARTS NO.	DESCRIPTION
6-8, 13-21, 28-30,		
32, 34-43, 46.	071 160	Top Cover Ass'y

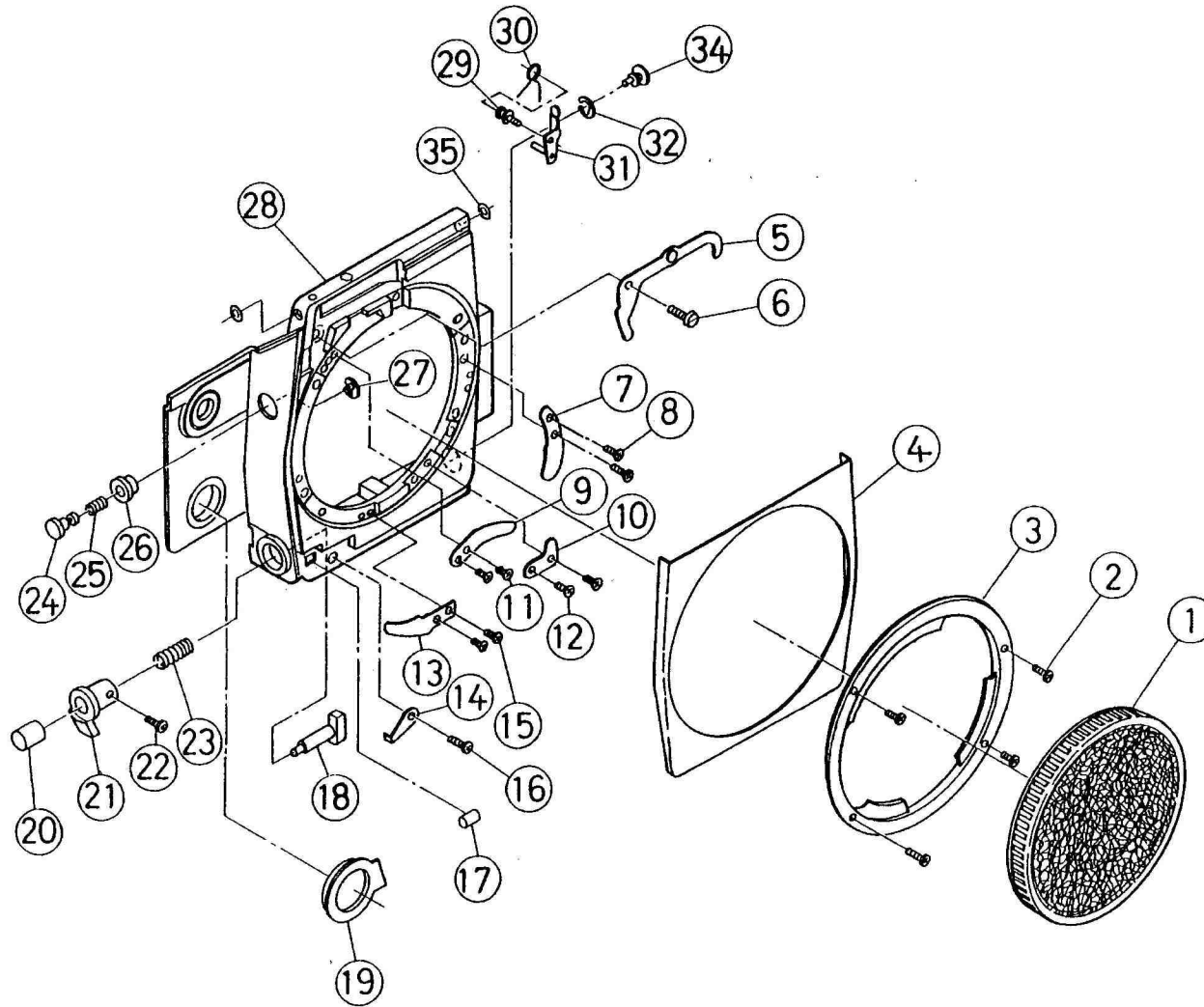
NOTE : (Parts with marked "★" are not available)



	PARTS NO.	DESCRIPTION	Q'TY
1	141 528	Resistor	1
2	141 535	Diode	1
3	141 581	Terminal Contact	3
4	152 510	Transistor	1
5	152 534	Resistor	1
6	141 533	Capacitor	1
7	152 534	Resistor	1
8	141 525	Resistor	1
9	141 526	Resistor	1
10	141 503	Safety Volt-age I C	1
11	★	Digital IC	1
12	141 550	Time LED Supporting Base	1
13	141 554	MD Supporting Base	1
14	141 512	Time Cord Base	1
15	141 519	Variable Resistor A	1
16	137 506	Crystal Plate	1
17	152 534	Resistor	1
18	141 574	TC Base Connector Pin	1
19	141 521	SPD - 1	1
20	141 529	Insulation Tube (2)	1
21	141 580	Shoe Terminal Sp.	1
22	152 535	Resistor	1
23	139 523	Capacitor	1
24	137 536	Capacitor	1
25	139 506	Capacitor	1
26	152 510	Mini Transistor	1
27	137 527	Capacitor	1
28	137 527	Capacitor	1
29		Insulation Tape	1
30	141 524	Insulation Tube (1)	1
31	141 518	Variable Resistor A	1
32	67803090	Cord (Orange)	1
33	67804090	Cord (Yellow)	1
34	67807090	Cord (Purple)	1
36	137 525	Capacitor	1
37	141 501	Analog IC	1
38	345 515	Capacitor	1
39	141 553	Information Supporting Base	1
40	152 510	Mini Transistor	1
41	139 521	Capacitor	1
42	152 525	Mini Transistor	1
43	141 532	Capacitor	1
44	141 526	Resistor	1
45	67726030	Cord (Blue)	1

FIG. NO.	PARTS NO.	DESCRIPTION
1 - 45	071 505	Amplifier Ass'y (See Page No. 6,10)

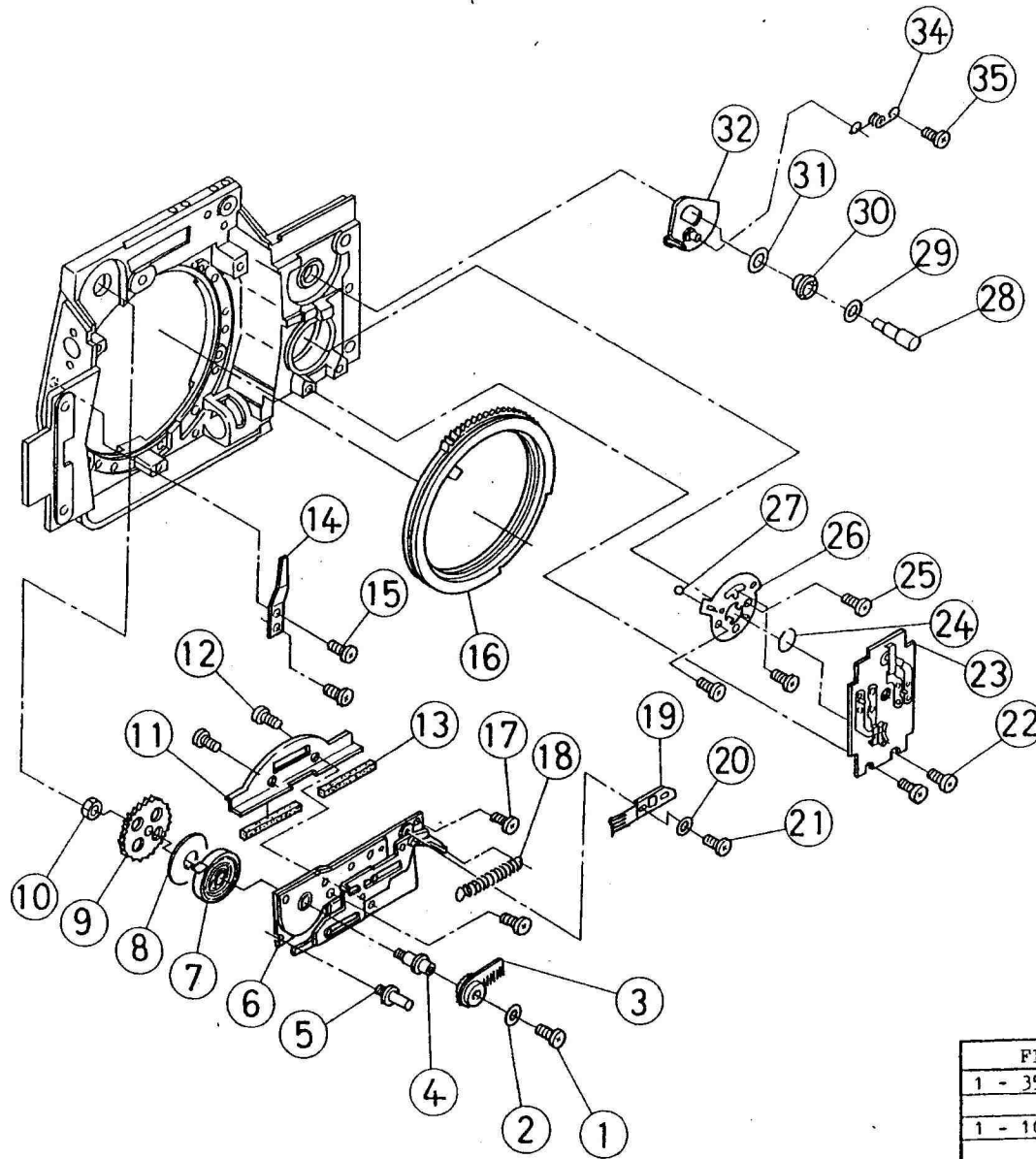
NOTE : (Parts with marked " ★ " are not available)



	PARTS NO.	DESCRIPTION	Q'TY
1	128 118	Body Cap	1
2	131 177	Body Mount S.S.	1
3	142 810	Body Mount	1
4	141 899	Front Cover	1
5	141 854	Lock Lever	1
6	141 856	Lock Lever Shaft	1
7	139 812	Mount Spring	1
8	61913026	Mount Spring S.S.	2
9	139 812	Mount Spring	1
10	139 813	Mount Stopper	1
11	61913026	Mount Spring S.S.	2
12	61913026	Mount Stopper S.S.	2
13	139 812	Mount Spring	1
14	141 876	Mechan. Change Click Spring SS	1
15	61913026	Mount Spring S.S.	2
16	63913022	Mechan. Change Click Spring SS	1
17	141 877	Mechan. Change Click Roller	1
18	141 873	Diaphragm Button Shaft	1
19	141 829	Self Indicator	1
20	141 871	Diaphragm Button	1
21	141 872	Mechan. Change Lever	1
22	141 874	Mechan. Change Lever Stopper	1
23	141 875	Diaphragm Button Spring	1
24	141 859	Lens Lock Button	1
25	141 861	Lens Lock Button Spring	1
26	141 860	Lens Lock Button Holder	1
27	66101225	E - 12	1
28	★	Mount Base	1
29	141 866	B. Lever (1) Shaft	1
30	141 867	B. Lever Spring	1
31	071 801	B. Lever Ass'y	1
32	141 868	E - Ring	1
34	141 864	B. Socket	1
35	60121810	Mount Base Washer	2

FIG. NO.	PARTS NO.	DESCRIPTION
2 - 35	071 801	Mount Base Ass'y (See! Page No. 4, 5)

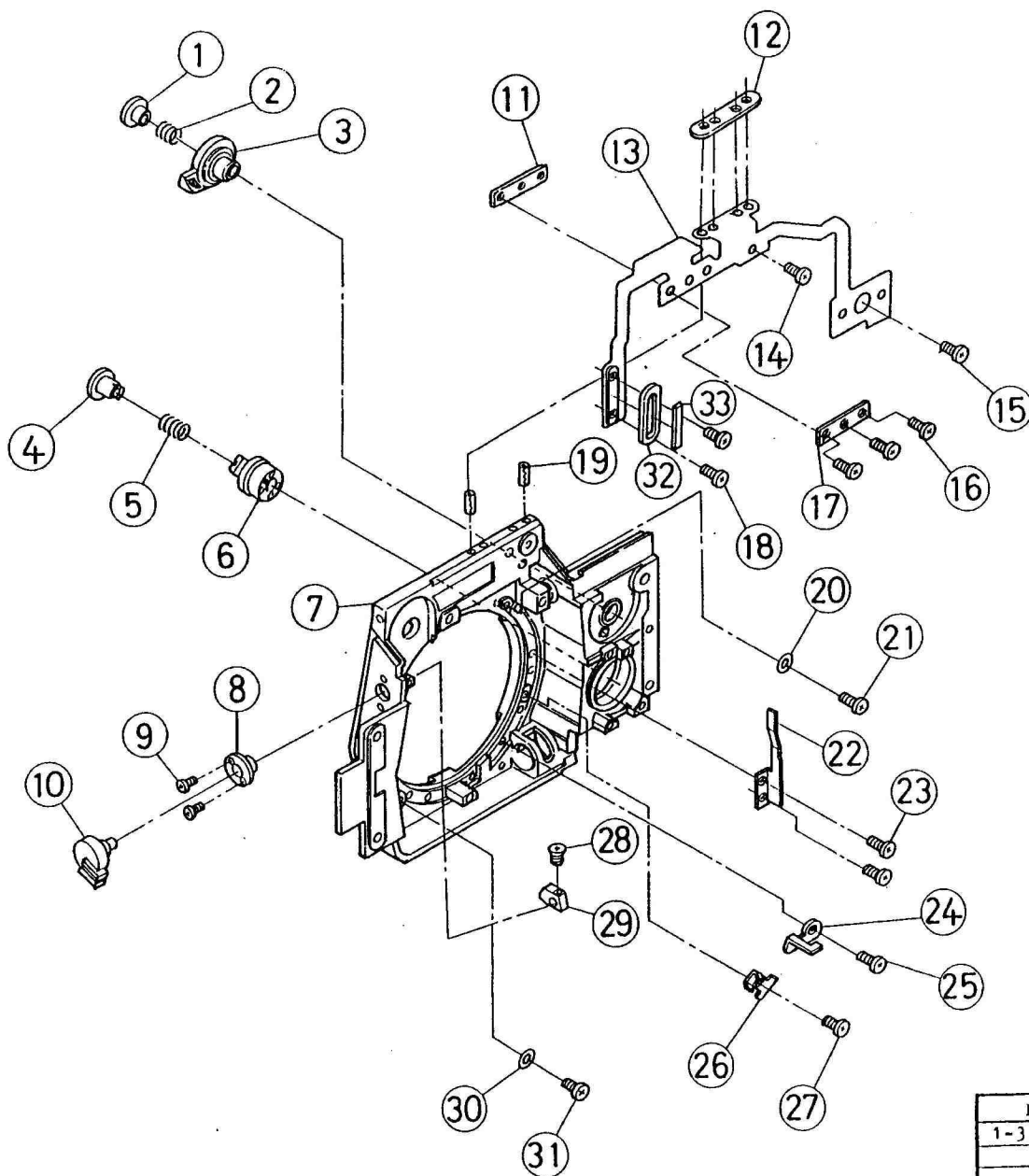
NOTE : (Parts with marked " ★ " are not available)



PARTS NO.	DESCRIPTION	Q'TY
1	66001050 Aperture Switch SS	1
2	60321510 Aperture Switch Washer	1
3	071 819 Aperture Switch Ass'y	1
4	141 814 F.Stop Resistor Gear Ass'y	1
5	141 822 FPC Fixer S.S.	1
6	★ Aperture Cord Base Ass'y	1
7	141 812 Winding Spring	1
8	60414610 Winding Spring Washer	1
9	141 813 F. Stop Resistor Gear	1
10	66511722 Six Angle Nut M 1.7	1
11	141 788 Mirror Box Dress Plate(Upper)	1
12	61801829 Mirror Box Dress Plate S.S.	2
13	141 789 Mirror Cushion	2
14	141 883 Mirror Up Spring	1
15	63902526 Mirror Up Spring S.S.	2
16	141 815 F. Stop Ring	1
17	63913022 Information Cord Plate S.S.	1
18	141 811 Release Signal Spring	1
19	141 810 Release Signal Switch	1
20	60321510 Release Signal Switch Washer	1
21	66001050 Release Signal Switch S.S.	1
22	63912522 Checker Base S.S.	2
23	071 513 Checker Switch Base Ass'y	1
24	141 833 Self Timer Button Stopper	1
25	61902526 Self Timer Click Plate S.S.	2
26	141 832 Self Timer Click Plate	1
27	66701620 Steel Ball Ø 1.6	1
28	141 845 EC Button Shaft	1
29	60112110 EC Button Shaft Washer	1
30	139 217 EC Button Holder	1
31	141 838 EC Button Holder Washer	1
32	071 843 EL Click Plate Ass'y	1
34	141 852 EL Click Spring	1
35	141 853 EL Click Spring Shaft	1

FIG. NO.	PARTS NO.	DESCRIPTION
1 - 35	071 801	Mount Base Ass'y (See Page No. 3, 5)
1 - 10, 17 - 21	071 803	Aperture Cord Base Plate Assy

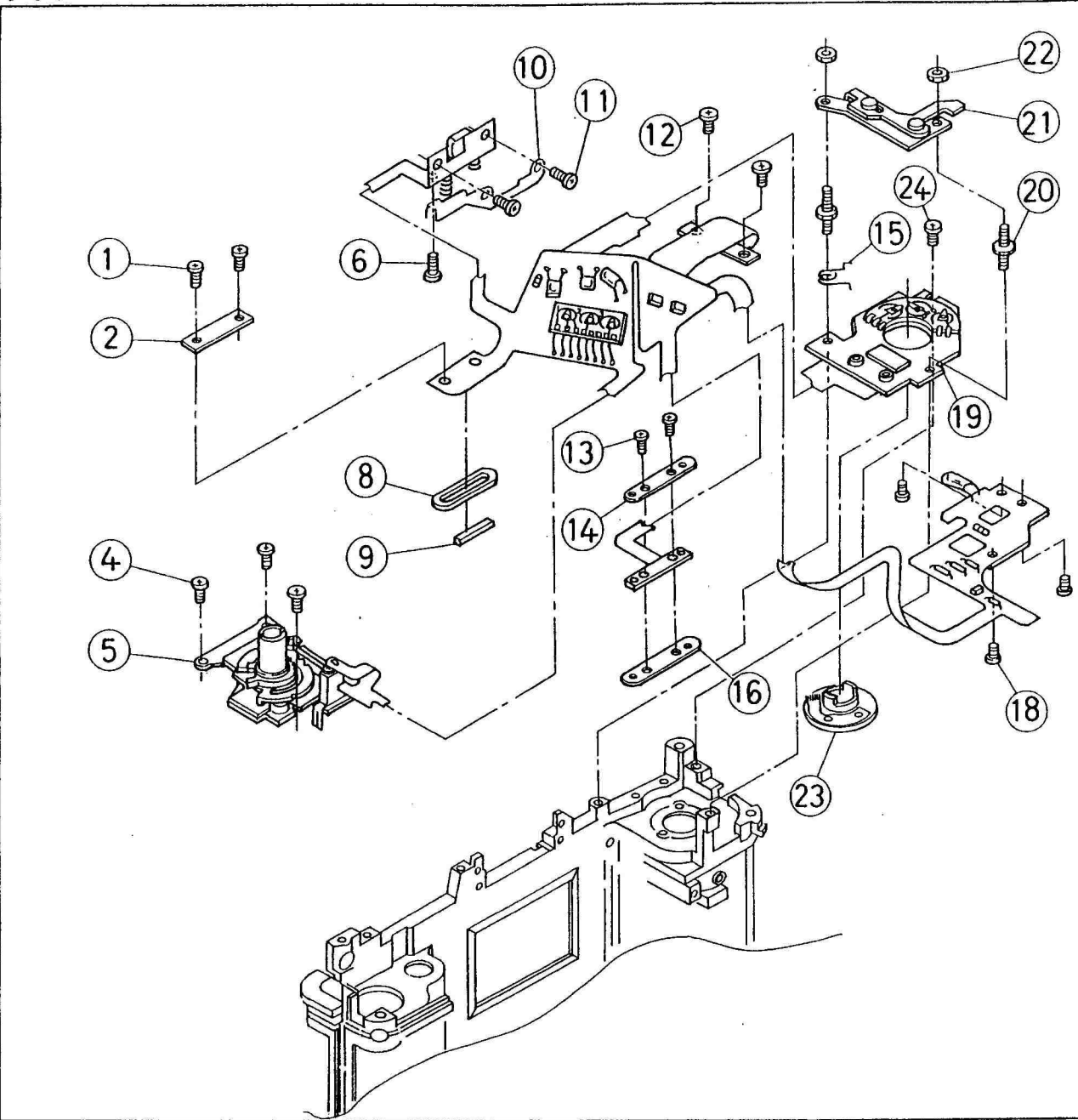
NOTE : (Parts with marked "★" are not available)



	PARTS NO.	DESCRIPTION	Q'T
1	141 844	EC Button	1
2	141 846	EC Button Spring	1
3	071 839	EL Lever Ass'y	1
4	141 827	Self-timer Button	1
5	141 831	Self-timer Button Spring	1
6	141 828	Self-timer Lever	1
7	★	Mount Base	1
8	141 881	Mirror-up Knob Holder	1
9	61902226	Mirror-up Knob Holder SS	2
10	141 880	Mirror-up Knob	1
11	141 543	Information Cord Connector	1
12	141 544	Cord FPC Connector	1
13	141 507	Cord FPC	1
14	66001050	Release Signal Switch S.S.	1
15	63912522	Checker Plate S.S.	1
16	66001050	Cord FPC Fixer S.S.	3
17	141 570	Cord FPC Fixer	1
18	63913022	Information Cord Base S.S.	2
19	66662230	Spring Pin	2
20	60451812	Aperture Ring Washer	1
21	63912522	Aperture Ring S.S.	1
22	141 861	Lens Lock Spring	1
23	63902526	Lens Lock Spring SS	2
24	141 878	Mechan. Lever Stopper	1
25	63913022	Mechan. Lever Stopper S.S.	1
26	141 817	Aperture Ring Stopper	1
27	63912522	Aperture Ring S.S.	1
28	61903026	Mirror-up Cam S.S.	1
29	141 882	Mirror-up Cam	1
30	60451812	Aperture Ring Washer	1
31	63912522	Aperture Ring S.S.	1
32	141 575	T.C. Connector Guide	1
33	141 542	T.C. Connector	1

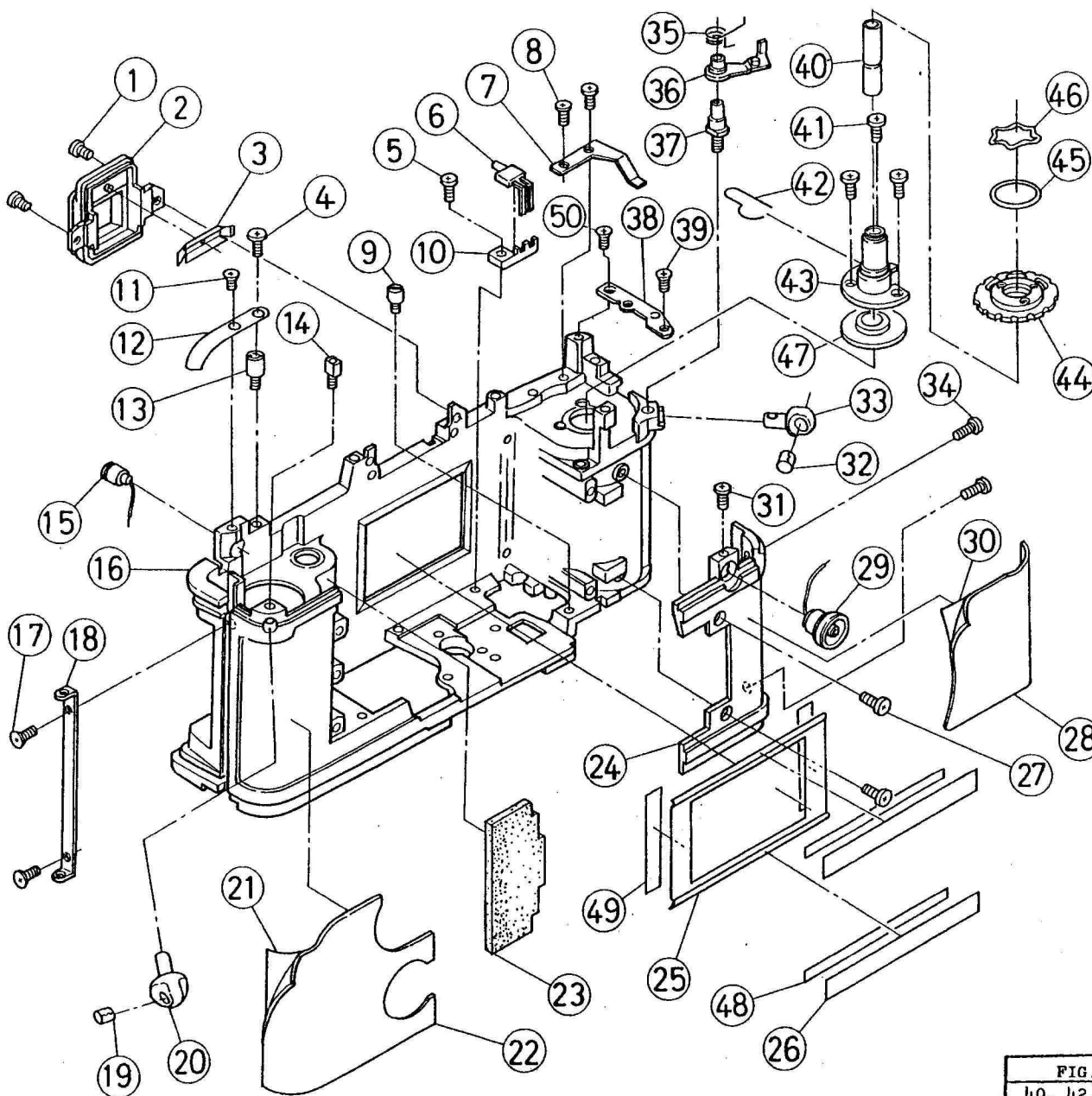
FIG.NO.	PARTS NO	DESCRIPTION
1-3, 7-10, 20-31	071 801	Mount Base Ass'y (See Page No. 3, 4)

NOTE : (Parts with marked "★" are not available)



	PARTS NO.	DESCRIPTION	Q'TY
1	63902526	Release Connector Fixer S.S.	2
2	141 583	Release Connector Fixer	1
4	131 905	Winding Base Plate (Upper) SS	2
5	★	ASA Resistor Ass'y	
-		(See! Page No. 18)	1
6	63902526	Main F.P.C. S.S.	1
8	141 576	Release Connector Guide	1
9	141 541	Release Connector	1
10	141 579	SPD Cord Fixer	1
11	63912022	SPD S.S.	2
12	63902526	LED Connector S.S.	2
13	63902526	Information Connector Fixer SS	2
14	141 584	Information Connector Fixer	1
15	141 243	Release Plate Spring	1
16	141 544	Cord FPC Connector	1
18	63912022	Main F.P.C. S.S.	3
19		Amplifier Assy(See! Page#2,10)	1
20	141 239	Release Plate Holder Shaft	2
21	071 240	S. Lock Release Plate Ass'y	1
22	66511722	S. Lock Release Nut	2
23	071 230	S. Contact Base Plate Ass'y	1
24	63913022	Time Cord Base S.S.	1

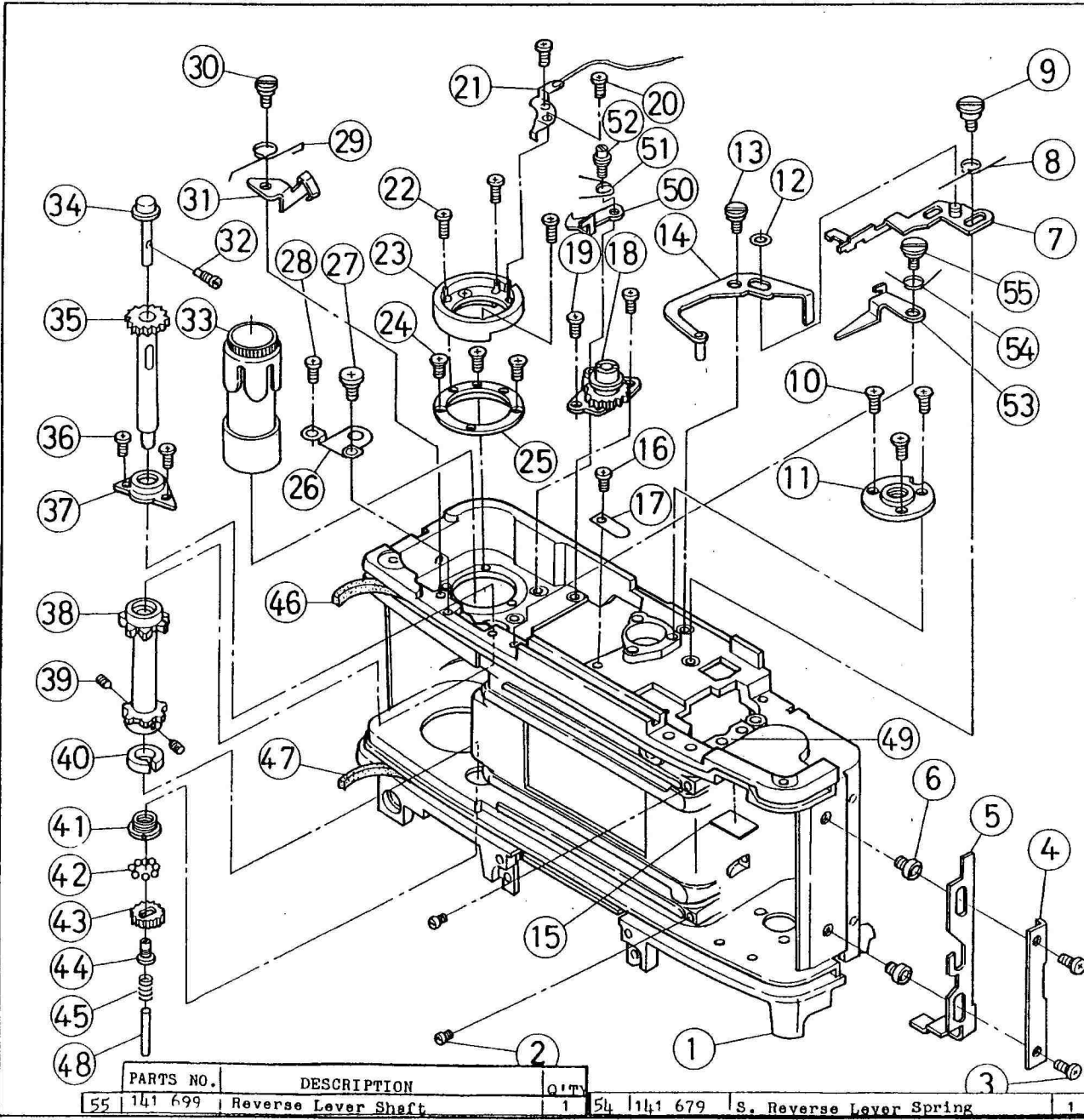
NOTE : (Parts with marked "★" are not available)



	PARTS NO.	DESCRIPTION	Q'TY
1	61914026	Eye-piece Frame S.S.	2
2	141 145	Eye-piece Frame	1
3	141 578	SPD Shield Plate	1
4	63912522	Counter Indicator S.S.	1
5	63913526	D-LED Holder S.S.	1
6	141 523	Data Back LED	1
7	141 114	Lock Plate Spring	1
8	63912526	Lock Plate Spring S.S.	2
9	141 120	Lower Base Plate Fixer	1
10	141 121	D-LED Holder	1
11	141 139	R. Socket S.S.	1
12	141 649	Counter Indicator	1
13	141 648	Counter Indicator Shaft	1
14	141 125	Strap Holder S.S.(Left)	1
15	065 h62	R. Socket Ass'y	1
16	★	Body	1
17	61812522	Hinge Shaft Holder S.S.	2
18	141 116	Hinge Shaft Holder	1
19	131 122	Reinforcement Ring	1
20	141 126	Strap Holder (2)	1
21	141 103	Leather Supporting Plate(Left)	1
22	141 105	Front Leather (Left)	1
23	141 189	Self Light-proof Moquette	1
24	141 140	Body Cover	1
25	141 106	Body Light-proof Plate	1
26	131 696	Mirror Box Light-proof Plate(2)	2
27	63912527	Body Cover S.S.	2
28	141 104	Front Leather (Right)	1
29	065 128	Synchro Socket Ass'y	1
30	141 102	Leather Supporting Plate(Right)	1
31	63912522	Synchro Socket S.S.	1
32	131 122	Reinforcement Ring	1
33	131 109	Strap Holder (1)	1
34	63913526	Body Cover S.S.	2
35	141 236	S. Click Spring	1
36	071 235	S. Click Lever Ass'y	1
37	141 124	Strap Holder S.S.(Right)	1
38	141 237	Top Cover Stopper	1
39	61813022	Top Cover Stopper S.S.	1
40	141 112	Rewind Shaft Guide	1
41	63923026	Rewind Shaft Holder S.S.	3
42	141 117	Rewind Shaft Spring	1
43	141 110	Rewind Shaft Holder	1
44	071 233	S. Click Plate Ass'y	1
45	131 687	Rewind Knob Adjusting Washer	1
46	131 677	Rewind Knob Washer	1
47	141 111	Light-proof Ring	1
48	131 698	Tape (2)	2
49	141 118	Body Light-proof Plate Tape	2
50	61801826	Top Cover Stopper S.S.	1

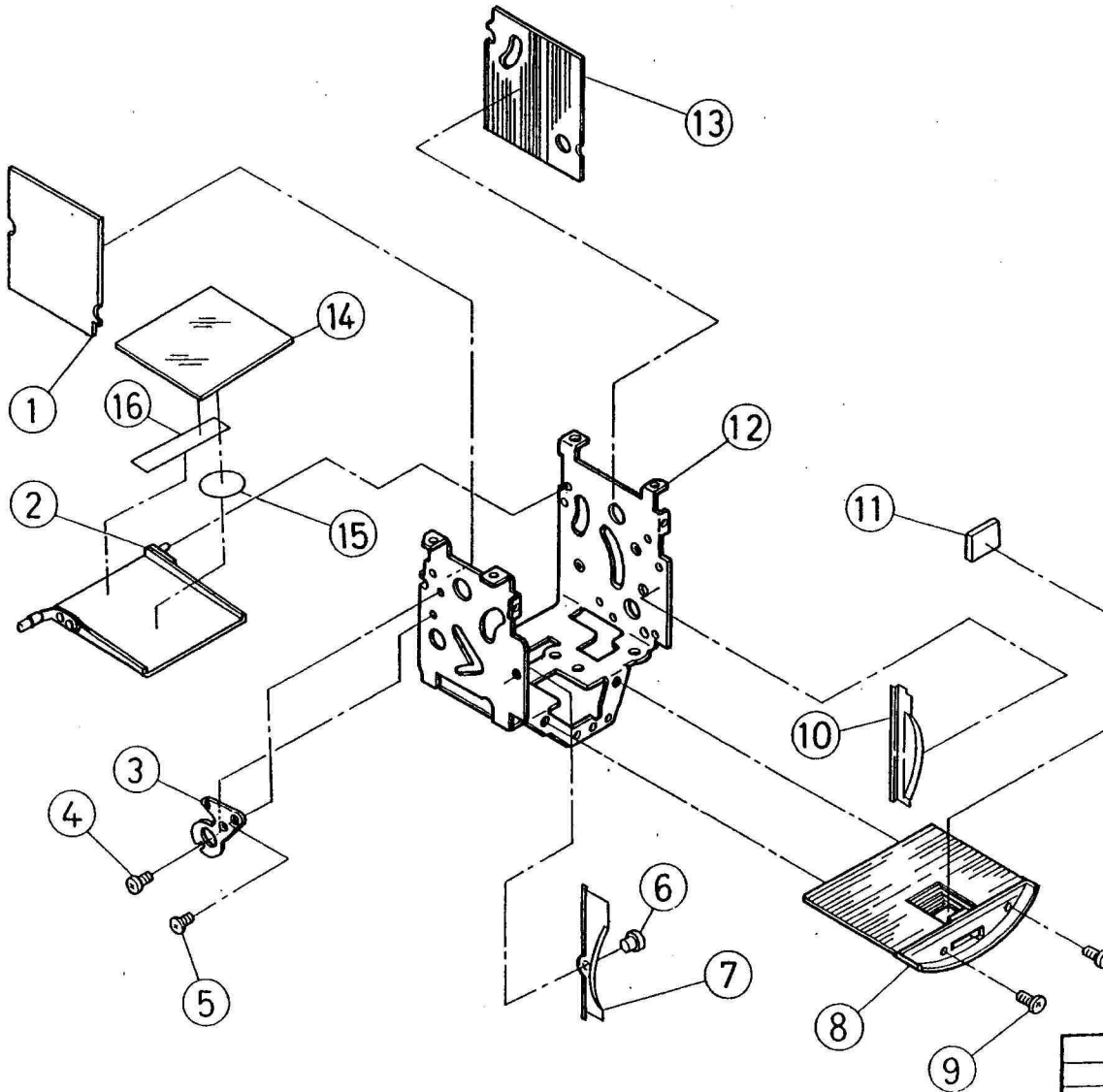
FIG. NO.	PARTS NO.	DESCRIPTION
40, 42, 43	071 110	Rewind Shaft Holder Ass'y

NOTE : (Parts with marked "★" are not available)



PARTS NO.	DESCRIPTION	Q'TY
1	★ Body	1
2	131 113 Film Guide Pin	2
3	61812526 Back Cover Lock Plate Cover SS	2
4	141 115 Back Cover Lock Plate Cover	1
5	141 113 Back Cover Lock Plate	1
6	131 118 Back Cover Lock Plate Shaft	2
7	071 130 Mechan. Lever (1) Ass'y	1
8	141 135 Mechan. Lever Spring	1
9	141 134 Mechan. Lever Spring Shaft	1
10	61824522 Tripod Socket Base S.S.	3
11	141 138 Tripod Socket Base	1
12	60222610 Mechan. Lever Shaft Washer	1
13	141 133 Mechan. Lever Shaft	1
14	071 131 Mechan. Lever (2) Ass'y	1
15	131 115 Patrone Holder	1
16	63912522 Cord Fixer S.S.	1
17	110 928 Cord Fixer	1
18	071 694 MD. Gear Ass'y	1
19	61912026 MD. Gear Base S.S.	2
20	61912022 B. Contact Base S.S.	2
21	071 684 B. Contact Base Ass'y	1
22	61914529 Battery Base S.S.	3
23	131 150 Battery Base	1
24	61912826 Spool Holder S.S.	3
25	131 642 Spool Holder	1
26	141 680 Sprocket Light-proof Plate	1
27	147 437 SR. Lever (3) Shaft	1
28	61912026 Sprocket Light-proof Plate SS	1
29	141 686 RS Sliding Lever Spring	1
30	141 662 RS Sliding Lever Shaft	1
31	141 685 RS Sliding Lever	1
32	141 664 Release Pin	1
33	071 682 Spool Ass'y	1
34	071 674 S. Release Shaft Ass'y	1
35	071 663 Sprocket Shaft Ass'y	1
36	61912026 Sprocket Shaft Holder S.S.	2
37	071 667 Sprocket Shaft Holder Ass'y	1
38	141 670 Sprocket	1
39	62511824 Sprocket S.S.	2
40	141 671 Clutch Shaft	1
41	141 665 Sprocket Shaft Holder Upper	1
42	66701220 Steel Ball Ø 1.2	14
43	141 666 D Gear	1
44	141 677 D Gear S.S.	1
45	141 676 S. Reverse Shaft Spring	1
46	131 107 Body Light-proof Moquette Lower	1
47	131 106 Body Light-proof Moquette Upper	1
48	141 675 F. Gear Release Shaft	1
49	141 122 Connector Holder	1
50	141 687 RS Lever	1
51	141 690 RS Lever Spring	1
52	141 689 RS Lever Shaft	1
53	141 678 Reverse Lever	1
54	141 679 S. Reverse Lever Spring	1
55	141 699 Reverse Lever Shaft	1

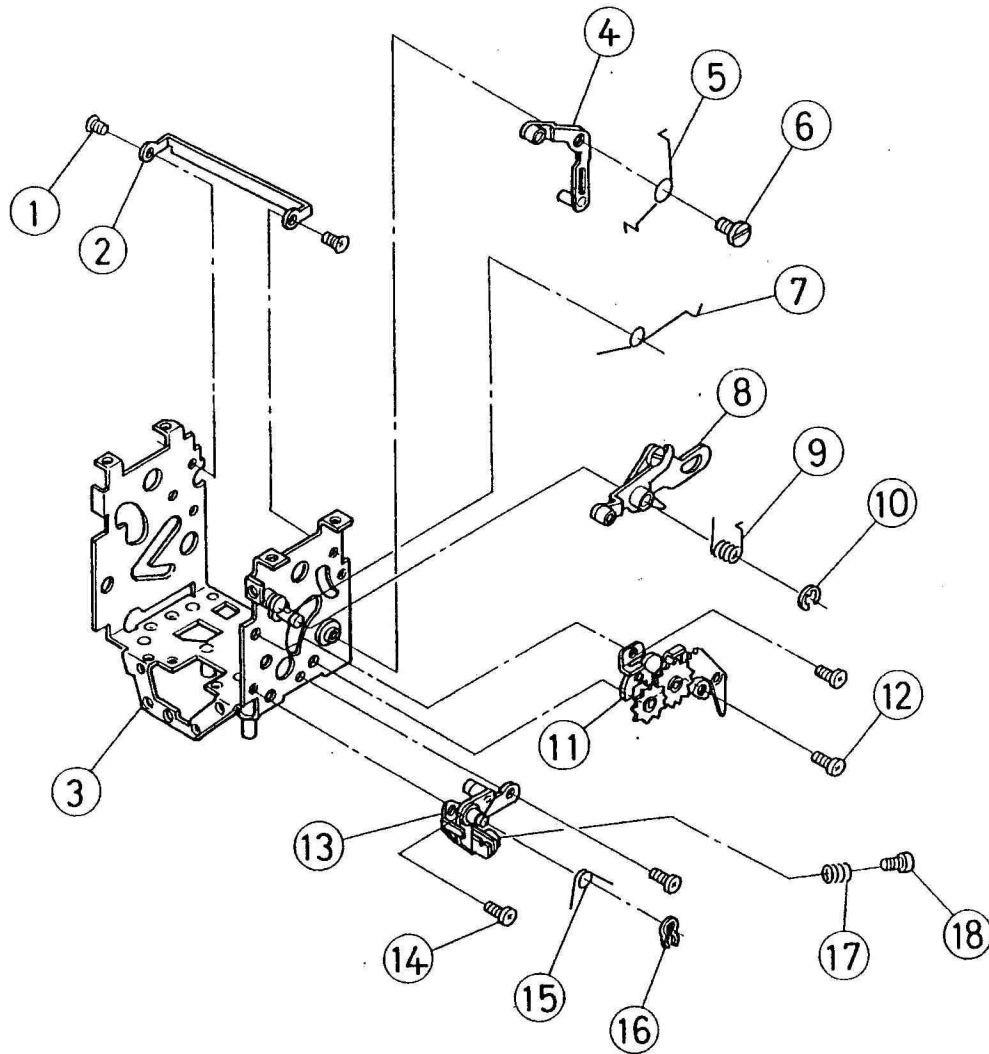
NOTE : (Parts with marked " ★ " are not available)



	PARTS NO.	DESCRIPTION	Q'TY
1	141 781	Mirror Box Light-proof Plate(L)	1
2	071 770	Mirror Frame Sub Ass'y	1
3	141 778	Mirror Hinge	1
4	61911526	Mirror Hinge S.S.	1
5	61811826	Mirror Hinge S.S.	1
6	141 785	Tr. Adjusting Cap	1
7	141 787	Mirror Box Dress Plate (Left)	1
8	141 782	M. Box Light-proof Plate(Lower)	1
9	61901828	M.B.Light-proof Plate(Lower)SS	2
10	141 786	Mirror Box Dress Plate(Right)	1
11	139 738	SPD Mirror	1
12	★	Mirror Box	1
13	141 780	M. Box Light-proof Plate(Right)	1
14	141 934	Mirror	1
15	141 791	Mirror Tape (1)	1
16	141 792	Mirror Tape (2)	2

FIG. NO.	PARTS NO	DESCRIPTION
1 - 16	071 701	Mirror Box Ass'y
		(See Page No. 12, 13)

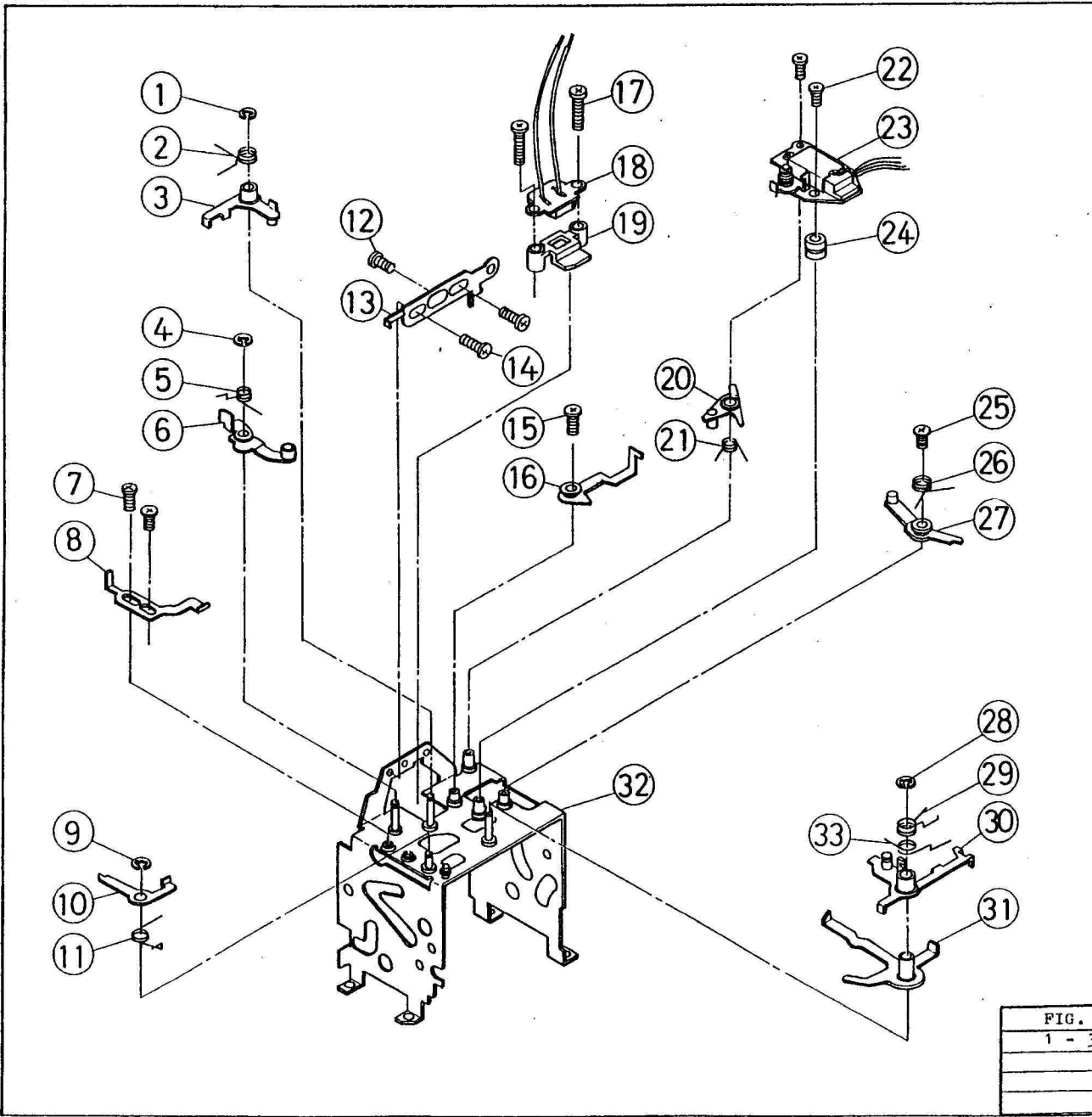
NOTE : (Parts with marked "★" are not available)



	PARTS NO.	DESCRIPTION	Q'TY
1	61901426	M.Box Reinforcement Plate SS	2
2	141 702	M. Box Reinforcement Plate	1
3	★	Mirror Box	1
4	071 748	M. Sliding Lever Ass'y	1
5	141 765	Governor Restore Spring	1
6	141 744	M. Sliding Lever (1) S.S.	1
7	141 745	Mirror Restore Spring	1
8	071 747	Mirror-up Lever Ass'y	1
9	141 754	Mirror-up Spring	1
10	66101525	E-15	1
11	141 767	Governor	1
12	61911526	Governor S.S.	2
13	071 757	45 Adjusting Base Plate Ass'y	1
14	61911526	45 Adjusting Base P.Ass'y SS	2
15	141 764	45 Lever Spring	1
16	66152525	GS Ring 2.5	1
17	139 833	ML Base Plate Spring	1
18	63915522	45 Adjusting S.S.	1

FIG. NO.	PARTS NO.	DESCRIPTION
1 - 18	071 701	Mirror Box Ass'y (See Page No. 11, 13)

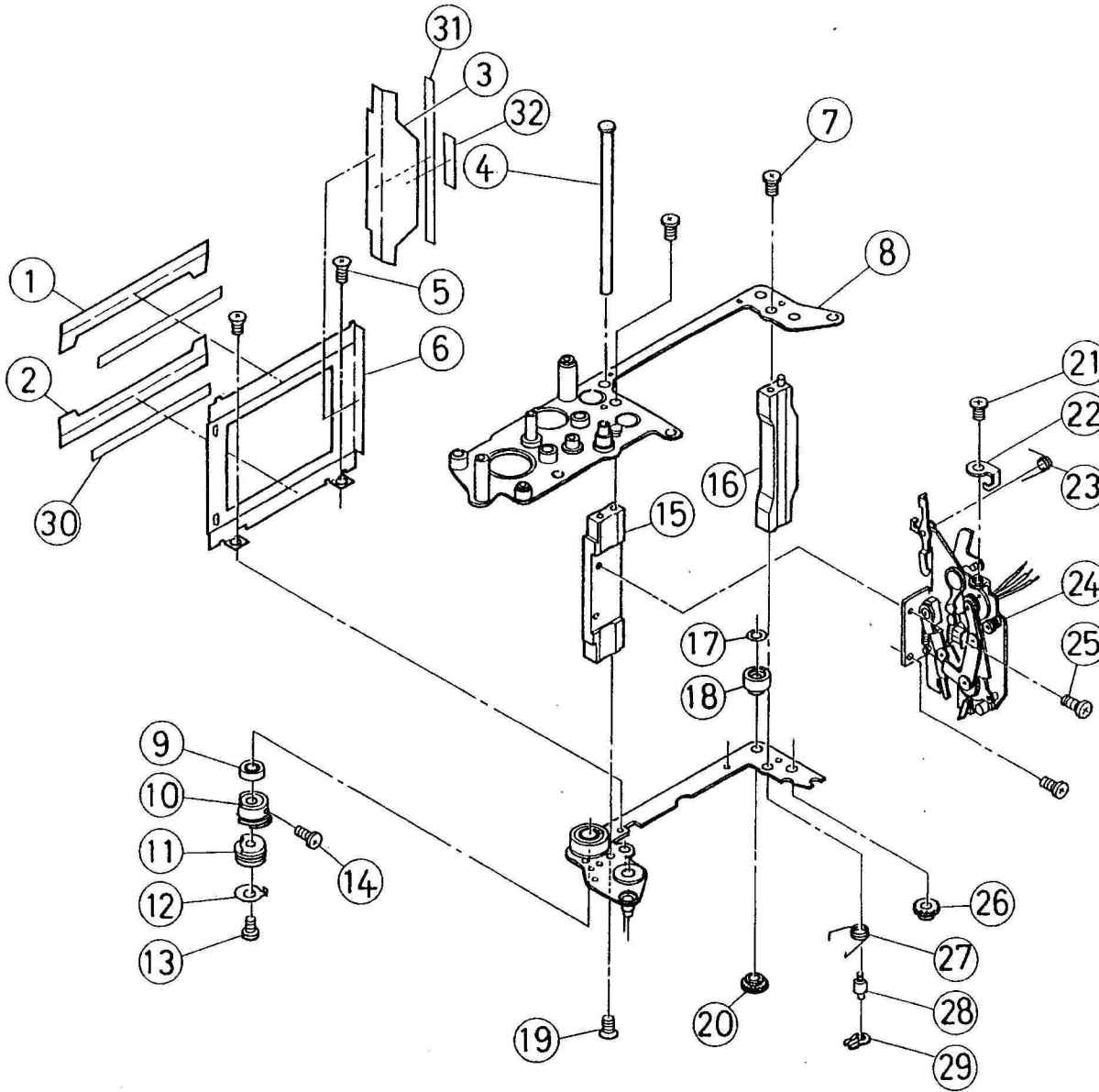
NOTE : (Parts with marked "★" are not available)



	PARTS NO.	DESCRIPTION	Q'TY
1	66101525	E-15	1
2	141 710	M. Set Lever Spring	1
3	071 706	M. Set Lever Ass'y	1
4	66101525	E-15	1
5	141 710	TR Connecting Lever Sp.	1
6	071 704	Hand Aperture Lever Ass'y	1
7	66001050	TR Connecting Lever S.S.	2
8	141 73A	TR Connecting Lever	1
9	66101525	E-15	1
10	071 711	M. Set Lever Hook Ass'y	1
11	141 714	M. Set Lever Hook Spring	1
12	131 905	B. Lever (2) S.S.	3
13	141 768	B. Lever (2)	1
14	147 437	SR Lever (3) Shaft	2
15	66001050	RL (2) Ass'y S.S.	1
16	071 730	RL (2) Ass'y	1
17	66001059	SPD Holder S.S.	2
18	071 536	SPD Ass'y	1
19	141 766	SPD Holder	1
20	071 727	RL (1) Ass'y	1
21	141 733	RL (1) Spring	1
22	63912522	R-Magnet S.S.	2
23	141 784	H-Magnet Ass'y	1
24	141 724	Auto Lever Stopper	1
25	66001050	RL (3) Ass'y S.S.	1
26	141 736	RL (3) Spring	1
27	071 734	RL (3) Ass'y	1
28	66101525	E-15	1
29	141 721	Mirror Driving Spring	1
30	071 719	M. Driving Lever Ass'y	1
31	071 715	Auto Lever Ass'y	1
32	★	Mirror Box	1
33	141 718	Auto Aperture Spring	1

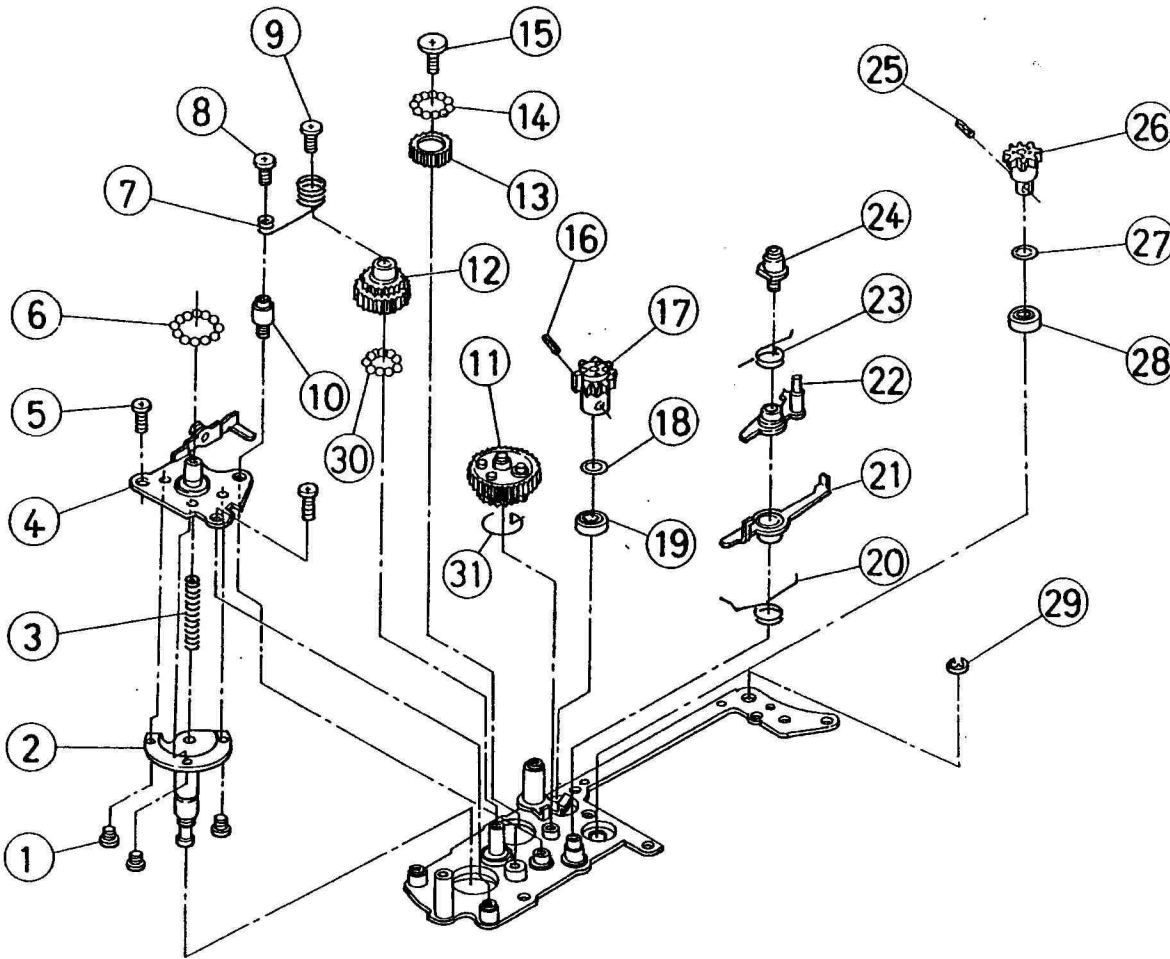
FIG. NO.	PARTS NO.	DESCRIPTION
1 - 33	071 701	Mirror Box Ass'y (See Page No. 11, 12)

NOTE : (Parts with marked " ★ " are not available)



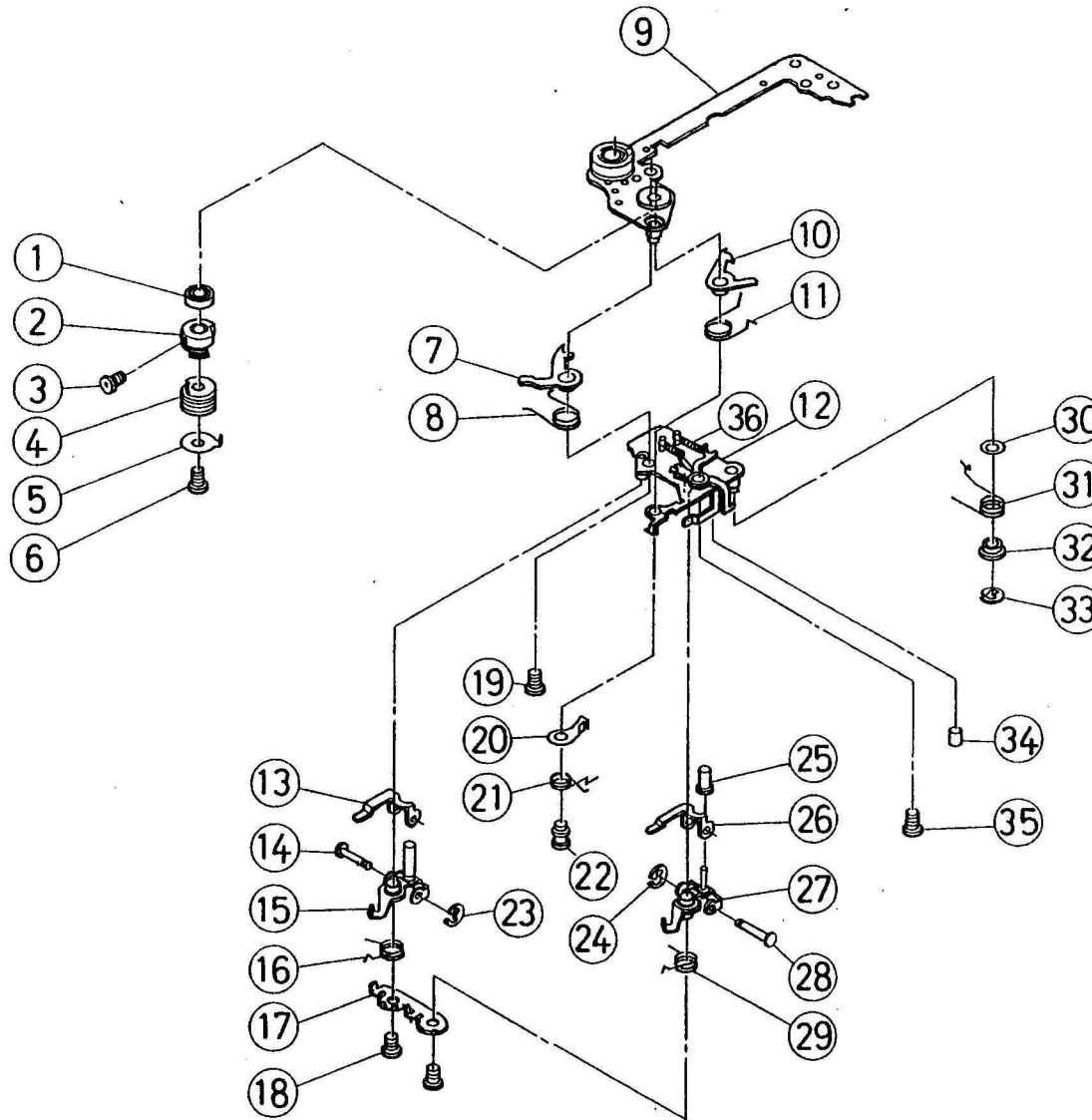
	PARTS NO.	DESCRIPTION	QTY
1	131 695	Mirror Box Light-Proof Plate(1)	1
2	131 695	" " " "	1
3	141 396	Curtain Light-Proof Plate(2)	1
4	141 397	Interlock Shaft	1
5	61801826	Curtain Light-Proof Plate SS	2
6	141 385	Curtain Light-proof Plate	1
7	61813022	Upper Base Plate S.S.	2
8	071 301	Upper Base Plate Ass'y	1
9	141 355	Shutter Bearing	1
10	141 390	Second Curtain Hook Plate	1
11	141 391	Rotary Limit Guide	1
12	141 394	Second Curtain Stopper	1
13	66001054	Second Curtain Stopper S.S.	1
14	66002002	Second Curtain Hook Plate S.S.	1
15	141 370	Base Plate Post (Left)	1
16	141 371	Base Plate Post (Right)	1
17	60132110	Second Curtain Sp Shaft Washer	1
18	141 372	First Curtain Roller	1
19	61813022	Lower Base Plate S.S.	1
20	137 488	Ratchet Wheel	1
21	63912022	TR Mechan. S.S.	1
22	141 448	S-Mg Cord Fixer	1
23	141 449	Winding Stopper Set Hook Sp.	1
24	141 401	TR Mechan.	1
25	63912522	TR Mechan. S.S.	2
26	137 488	Ratchet Wheel	1
27	141 384	Ratchet Wheel Spring	1
28	137 489	Ratchet Wheel Spring Shaft	1
29	66172022	GS Ring	1
30	131 697	Adhesive Tape 1	2
31	131 697	Adhesive Tape 1	1
32	141 911	Lens Adhesive Tape	1

NOTE : (Parts with marked "★" are not available)



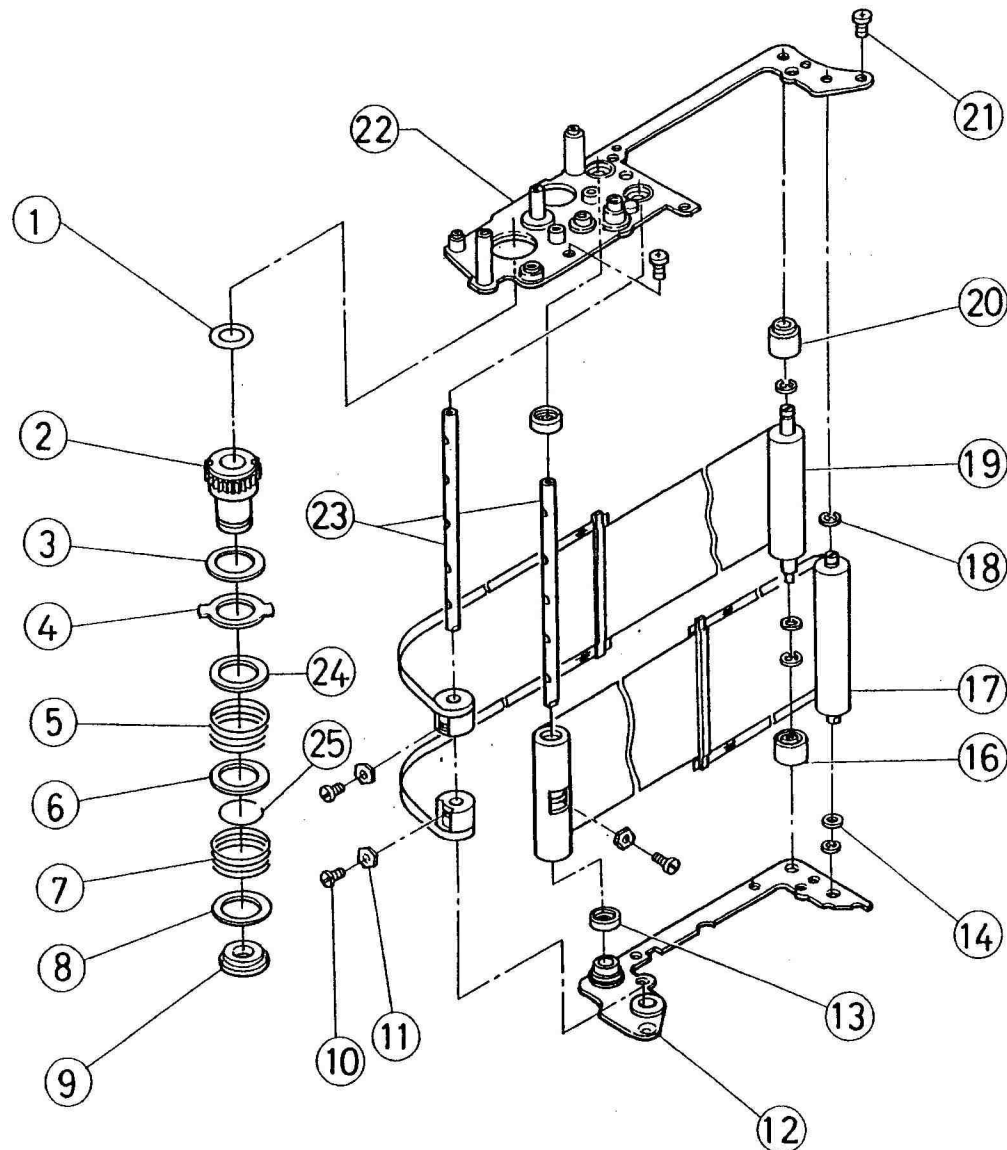
	PARTS NO.	DESCRIPTION	Q'TY
1	61911522	F Gear Shaft S.S.	3
2	071 341	F Gear Shaft Ass'y	1
3	141 343	B. Minus Contactor Spring	1
4	071 310	A. Gear Base Plate Ass'y	1
5	63912522	A. Gear Base Plate S.S.	2
6	66701020	Steel Ball	14
7	141 351	C. Gear Kick Spring	1
8	66001031	Kick Spring Shaft S.S.	1
9	63912522	C Gear S.S.	1
10	141 350	Kick Spring Shaft	1
11	071 325	Sector Gear Ass'y	1
12	071 318	C Gear Ass'y	1
13	141 320	Idle Gear	1
14	66701020	Steel Ball	13
15	66001053	Idle Gear Shaft S.S.	1
16	66662230	Spring Pin	1
17	141 399	Second Curtain Gear	1
18	60112110	Second Curtain Gear Washer	1
19	141 355	Shutter Bearing	1
20	141 337	Stopper Claw Set Lever Sp.	1
21	071 335	Stopper Claw Set Lever Ass'y	1
22	071 331	Stopper Claw Ass'y	1
23	141 334	Stopper Claw Spring	1
24	141 338	Stopper Claw S.S.	1
25	66662230	Spring Pin	1
26	141 398	First Curtain Gear	1
27	60112110	First Curtain Gear Washer	1
28	141 355	Shutter Bearing	1
29	66101525	E Ring	1
30	66701520	Steel Ball	8
31	141 698	Anti-rewind Spring	1

NOTE : (Parts with marked "★" are not available)



	PARTS NO.	DESCRIPTION	Q'TY
1	141 355	Shutter Bearing	1
2	141 389	First Curtain Hook Plate	1
3	66002002	First Curtain Hook Plate S.S.	1
4	141 391	Rotary Limit Guide	1
5	141 392	First Curtain Stopper	1
6	66001054	First Curtain Stopper S.S.	1
7	141 381	Second Curtain Hook Lever	1
8	141 382	Second Curtain Hook Lever Sp.	1
9	071 376	Lower Base Plate Ass'y	1
10	141 379	First Curtain Hook Lever	1
11	141 380	First Curtain Hook Lever Sp.	1
12	071 461	Brake Base Plate Ass'y	1
13	141 480	Rotary Limit Lever	1
14	141 481	Rotary Limit Lever Shaft	1
15	071 479	Brake Lever Ass'y (S)	1
16	141 487	Brake Spring	1
17	141 483	Brake Spring Fixer	1
18	66001050	Brake Spring Fixer S.S.	2
19	63912522	Brake Base Plate S.S.	1
20	141 484	First Curtain Release Lever	1
21	141 486	First Curtain Release Lever Sp	1
22	141 485	First Curtain Release L. Shaft	1
23	66101225	E Ring	1
24	66101225	E Ring	1
25	141 478	X. Contact Collar	1
26	141 480	Rotary Limit Lever	1
27	071 474	Brake Lever Ass'y(F)	1
28	141 481	Rotary Limit Lever Shaft	1
29	141 482	Brake Spring	1
30	131 396	First Curtain Sp. Drum Washer	1
31	141 467	X. Contact	1
32	141 465	X. Contact Base	1
33	66101525	X. Contact Shaft	1
34	66931203	Brake Base Plate Tube	1
35	63904026	TR. Mechan. S.S.	1
36	141 472	Mechan. Hook Lever Spring	1

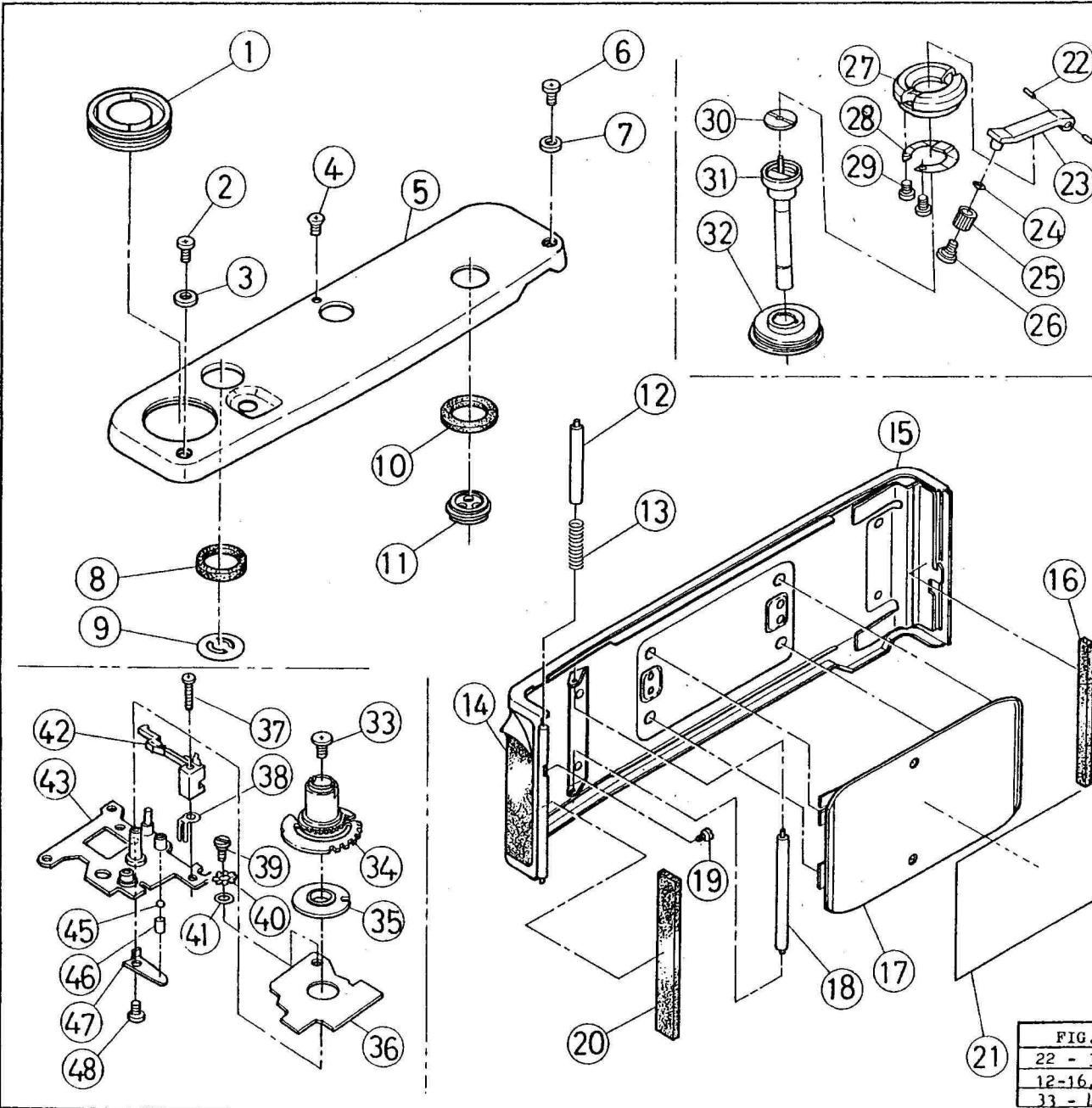
NOTE : (Parts with marked "★" are not available)



	PARTS NO.	DESCRIPTION	QTY
1	141 352	F. Gear Washer	1
2	141 344	F. Gear	1
3	141 346	Spool Friction Plate	1
4	141 353	Friction Plate	1
5	141 347	Friction Spring	1
6	141 346	Spool Friction Plate	1
7	141 348	F. Gear Spring	1
8	141 354	F. Gear Spring Washer	1
9	141 349	F. Gear Spring Washer	1
10	141 360	Curtain Adjusting Plate S.S.	3
11	141 359	Curtain Adjusting Plate	3
12	071 376	Lower Base Plate Ass'y	1
13	071 372	First Curtain Roller	2
14	131 396	First Curtain Drum Washer	2
16	141 373	Second Curtain Roller	1
17	071 358	Second Curtain Ass'y	1
18	66101525	E Ring	1
19	071 357	First Curtain Ass'y	1
20	141 373	First Curtain Roller	1
21	61912524	Shutter S.S.	2
22	071 301	Upper Base Plate Ass'y	1
23	141 356	Shutter Shaft	2
24	141 346	Spool Friction Plate	1
25	132 649	Spring Cover Stopper	1

FIG. NO.	PARTS NO.	DESCRIPTION
2 -9, 24, 25.	071 344	Friction Gear Ass'y

NOTE : (Parts with marked "★" are not available)



PARTS NO.	DESCRIPTION	Q'TY
1	071 195 Battery Cap Ass'y	1
2	131 199 Bottom Cover S.S.	1
3	131 198 Bottom Cover Collar	1
4	141 194 Bottom Cover S.S.	1
5	141 190 Bottom Cover	1
6	131 199 Bottom Cover S.S.	1
7	131 198 Bottom Cover Collar	1
8	131 194 MD Light-proof Moquette	1
9	141 697 MD Coupler Plate	1
10	132 654 Terminal Packing	1
11	142 451 Terminal Insulator	1
12	131 130 Hinge Shaft (1)	1
13	131 133 Hinge Shaft Spring	1
14	141 152 Back Cover Leather	1
15	071 152 Back Cover Ass'y	1
16	131 126 Back Cover Moquette (2)	1
17	071 151 Pressure Plate Ass'y	1
18	131 136 Film Roller	1
19	131 132 Hinge Shaft Stopper	1
20	131 125 Back Cover Moquette (1)	1
21	141 158 Pressure Plate Seat	1
22	141 255 Crank Arm Shaft	2
23	141 254 Crank Arm	1
24	60151810 Crank Arm Washer	1
25	131 672 Crank Knob	1
26	131 671 Crank Knob S.S.	1
27	141 251 Rewind Knob (1)	1
28	141257-8 Rewind Click Spring	1
29	61902022 Rewind Click Spring S.S.	2
30	141 252 Rewind Knob Name Plate	1
31	131659-A Rewind Shaft Ass'y	1
32	141 256 Rewind Knob (2)	1
33	66001067 ASA Dial Shaft S.S.	1
34	071 216 Corrective Click Plate Ass'y	1
35	071 210 ASA Contactor Ass'y	1
36	141 517 ASA Resistor Base	1
37	63918022 Main Switch S.S.	1
38	141 225 FPC Holder	1
39	141 224 ASA Base S.S.	1
40	141 388 Spring Washer	1
41	60132110 Washer	1
42	141 222 Main Switch	1
43	071 201 ASA Base Plate Ass'y	1
45	66701520 Corrective Click Ball	1
46	141 205 Click Ball Shaft	1
47	141 204 Corrective Click Spring	1
48	66001041 Corrective Click Sp. S.S.	1

FIG. NO.	PARTS NO.	DESCRIPTION
22 - 32	071 251	Rewind Knob Assy(See Page#1)
12-16, 18-20	071 152	Back Cover Ass'y
33 - 48	★	ASA Resistor Ass'y(See Page#6)

NOTE : (Parts with marked "★" are not available)