

OLYMPUS

OM707
OM77AF
REPAIR MANUAL

OLYMPUS OPTICAL CO., LTD.

EXPLANATION OF MARKS

① Indicates parts that are supplied both as a single piece and as an assembled unit. In the latter case, the single part is incorporated in the assembled unit indicated with the mark ①.
Exception: Parts in the mark () are not supplied in single pieces.
(Parts that are supplied only in single pieces are not indicated with any mark. While parts that are supplied as an assembled unit are prefixed with "Z" or "U".)

] Several types of parts for the same position are available, from which most suitable one is to be selected.

* 3 Parts differ according to different models and types. This mark is used to indicate various combinations in a picture.

☺ Left-handed screw. The mate screw hole is not marked particularly.

⊠ Indicates parts that should not be touched directly by bare hand because special surface treatment is applied. Wear fingerstalls or use tweezers.

★ Not supplied as a repair part.

□ Used exclusively for black finish models.

— Indicates original parts. New, modified ones are not indicated with this mark. Both original and modified parts are supplied.

≡ No more available parts due to design change or out of stock.

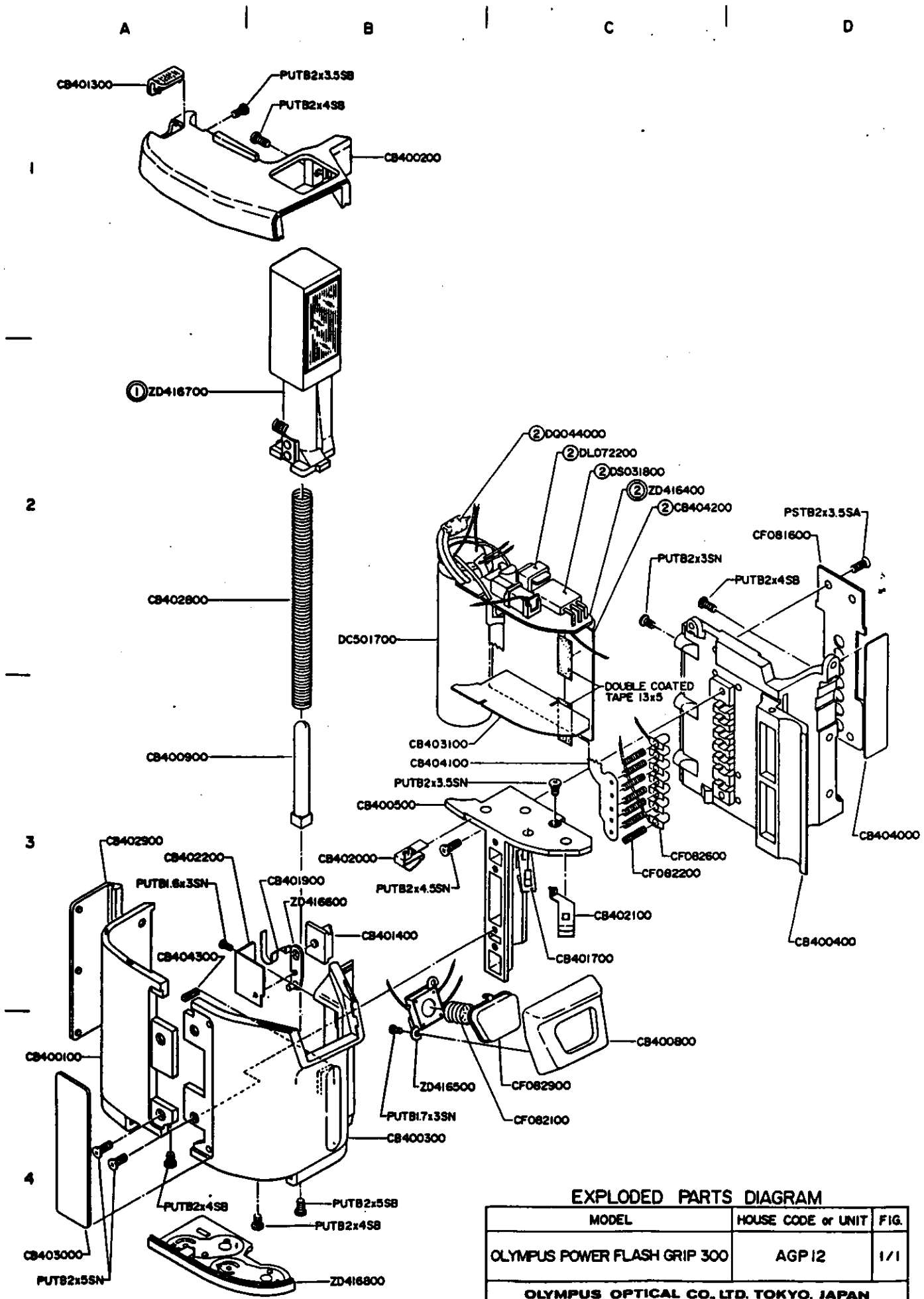
✕ A correction mark. Parts with this mark are not available.

< 2 > Modified parts that are unable to show in the technical manual. The figure indicates reference page number.

2-A3 This notation is entered in the "Remarks" column of parts list and indicates parts position in the technical manual.

2-A3 → Parts position. The technical manual is divided into 16 equal sections. Each section can be identified by using A, B, C and D from left to right and 1, 2, 3 and 4 from top to bottom.

→ Indicates page number in which the technical manual appears. However, 1/1 (page 1 of 1) is not indicated particularly.



EXPLODED PARTS DIAGRAM

MODEL	HOUSE CODE or UNIT	FIG.
OLYMPUS POWER FLASH GRIP 300	AGP12	1/1
OLYMPUS OPTICAL CO., LTD. TOKYO, JAPAN		

オリンパスパワーフラッシュグリップ300

NP-3 0587

AGP12

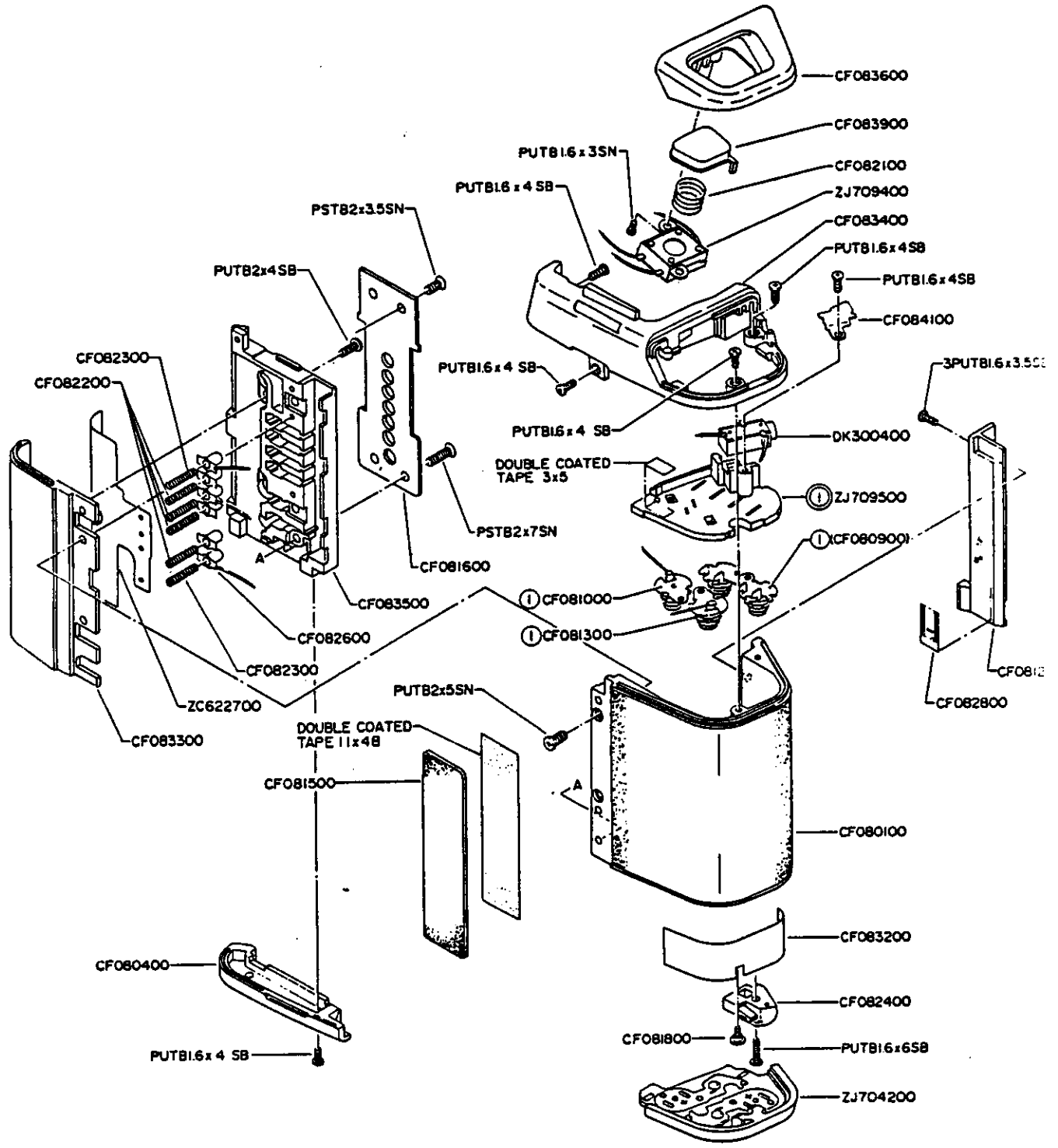
部 番	部品名	備 考	単価	個数	部 番	部品名	備 考	単価	個数
CB400100	ウシロカバー	1-A4	250	1	ZD416400	ELキバン	1-C2	1600	1
CB400200	ウワイタ	1-B1	350	1	ZD416500	REL-SW	1-B4	400	1
CB400300	マエカバー	1-B4	500	1	ZD416600	カムイタ	1-B3	200	1
CB400400	ナカイタ	1-D3	250	1	ZD416700	ストロボクミ	1-A2	1000	1
CB400500	カクハキ	1-B3	200	1	ZD416800	ピンチフタ	1-B4	350	1
CB400800	SWケース	1-C4	150	1					
CB400900	ハシテ	1-A3	100	1	RJJ0	リード線	黒	長さ10m	250
CB401300	ネオンマド	1-A1	100	1	RJJ2	リード線	赤	長さ10m	250
CB401400	PUボタン	1-B3	100	1	RKJ4	リード線	黄	長さ10m	250
CB401700	セッペンC	1-C3	150	1	RKJ6	リード線	青	長さ10m	250
CB401900	モトシバネ	1-B3	150	1	RKJ9	リード線	白	長さ10m	250
CB402000	B セッペンA	1-B3	200	1	TBJN	チューブ		長さ5m	100
CB402100	B セッペンB	1-C3	200	1	TNJNI	チューブ		長さ5m	100
CB402200	オサエイタ	1-A3	100	1					
CB402800	S バネ	1-A2	50	1	PSTB2	×3.5SA			20
CB402900	G ゴム	1-A3	50	1					
CB403000	S ゴム	1-A4	200	1	PUTB1.6	×3SN			20
CB403100	セツエン	1-B3	50	1					
CB404000	シール	1-D3	50	1	PUTB1.7	×3SN			20
CB404100	G キバン	1-B3	400	1	PUTB2	×3.5SB			20
CB404200	SWキバン	1-C2	350	1	PUTB2	×3.5SN			20
CB404300	ストップ	1-A3	50	1	PUTB2	×4 SB			20
					PUTB2	×4.5SN			20
					PUTB2	×5 SB			20
					PUTB2	×5 SN			20
CF081600	GSイタ	1-D2	100	1					
CF082100	REL バネ	1-C4	50	1					
CF082200	GSバネ	1-C3	50	7					
CF082600	G セツタン	1-C3	100	7					
CF082900	REL ボタン	1-C4	100	1					
DC501700	M コンデンサ	C101 1-B2	700	1					
DL072200	M トランス	T101 1-C2	400	1					
DQ044000	ネオン	DS102 1-C2	250	1					
DS031800	トランジスタ	Q201 1-C2	200	1					

1

2

3

4



EXPLODED PARTS DIAGRAM

MODEL	HOUSE CODE or UNIT	FIG
OLYMPUS POWER GRIP 100M	AGB4M	1/1
OLYMPUS OPTICAL CO., LTD. TOKYO, JAPAN		

OLYMPUS POWER GRIP 100M

88-08

1 / 1

PARTS LIST

A G B 4 M

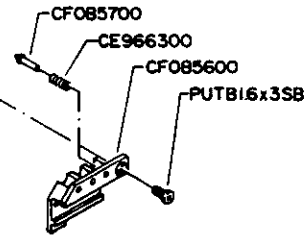
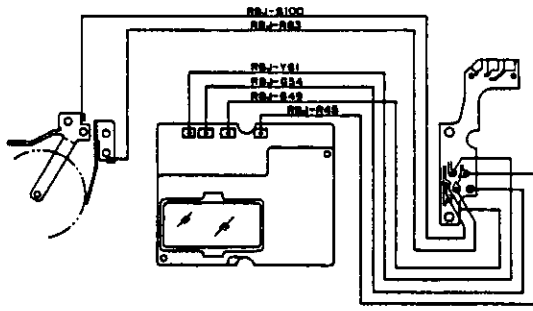
PARTS No.	NAME OF PARTS	NOTE	PARTS No.	NAME OF PARTS	NOTE
CF080100	G FRONT COVER	1-D3	PUTB 1.6x 3 SN	SCREW	
CF080400	G BOTTOM PLATE	1-A3	PUTB 1.6x 4 SB	SCREW	
CF081200	BODY HOOKER	1-D3	PUTB 1.6x 6 SB	SCREW	
CF081300	D SPRING	1-C2	PUTB 2 x 4 SB	SCREW	
CF081500	SIDE RUBBER	1-B3	PUTB 2 x 5 SN	SCREW	
CF081600	GS PLATE	1-B2			
CF081800	GUIDE PIN	1-C3			
CF082100	REL SPRING	1-D1	3PUTB 1.6x3.5SN	SCREW	
CF082200	GS SPRING	1-A2			
CF082300	GS SPRING 2	1-A2, B3	PSTB 2x3.5 SN	SCREW	
CF082400	G BOTTOM PLATE 2	1-D3	PSTB 2x 7 SN	SCREW	
CF082600	G CONTACT	1-B2			
CF082800	B SEAL 2	1-D3			
CF083200	B SEAL	1-D3			
CF083300	G REAR COVER M	1-A3			
CF083400	G TOP COVER M	1-D2			
CF083500	CONTACT HOLDER M	1-B2			
CF083600	BOTTOM BASE M	1-D1			
CF083900	REL BUTTOM M	1-D1			
CF084100	SW HOLDER	1-D2			
DK300400	CORD CONNECTOR	1-C2			
ZC622700	ML CIRCUIT BOARD	1-A3			
ZC704200	BATTERY LID	1-D4			
ZC709400	SWITCH	1-D1			
ZC709500	D WALL	1-D2			

A

B

C

D



① CF045200

① CF045300

CF085800

① CF045700

CF086500

① CF045400

① ZJ705200

① PSTB1.6x2.5SN

① CF045600

① CE857800

DOUBLE COATED TAPE 25x13

ZC618400

PUTB1.6x3SB

ZC618500

PUTB1.6x3SB

CE497700

CR202500

CF086300

③ ZJ705400

③ PUTB1.6x3SB

③ CF046600

③ CF046500

③ CF046300

③ CF046100

③ CF046200

③ CF046400

③ CF046600

② CF085500

② ER2SN

② CF085300

② ZJ705300

4

EXPLODED PARTS DIAGRAM

MODEL	HOUSE CODE or UNIT	FIG
RECORDATA BACK 100	ABD-1	1/1
OLYMPUS OPTICAL CO., LTD. TOKYO, JAPAN		

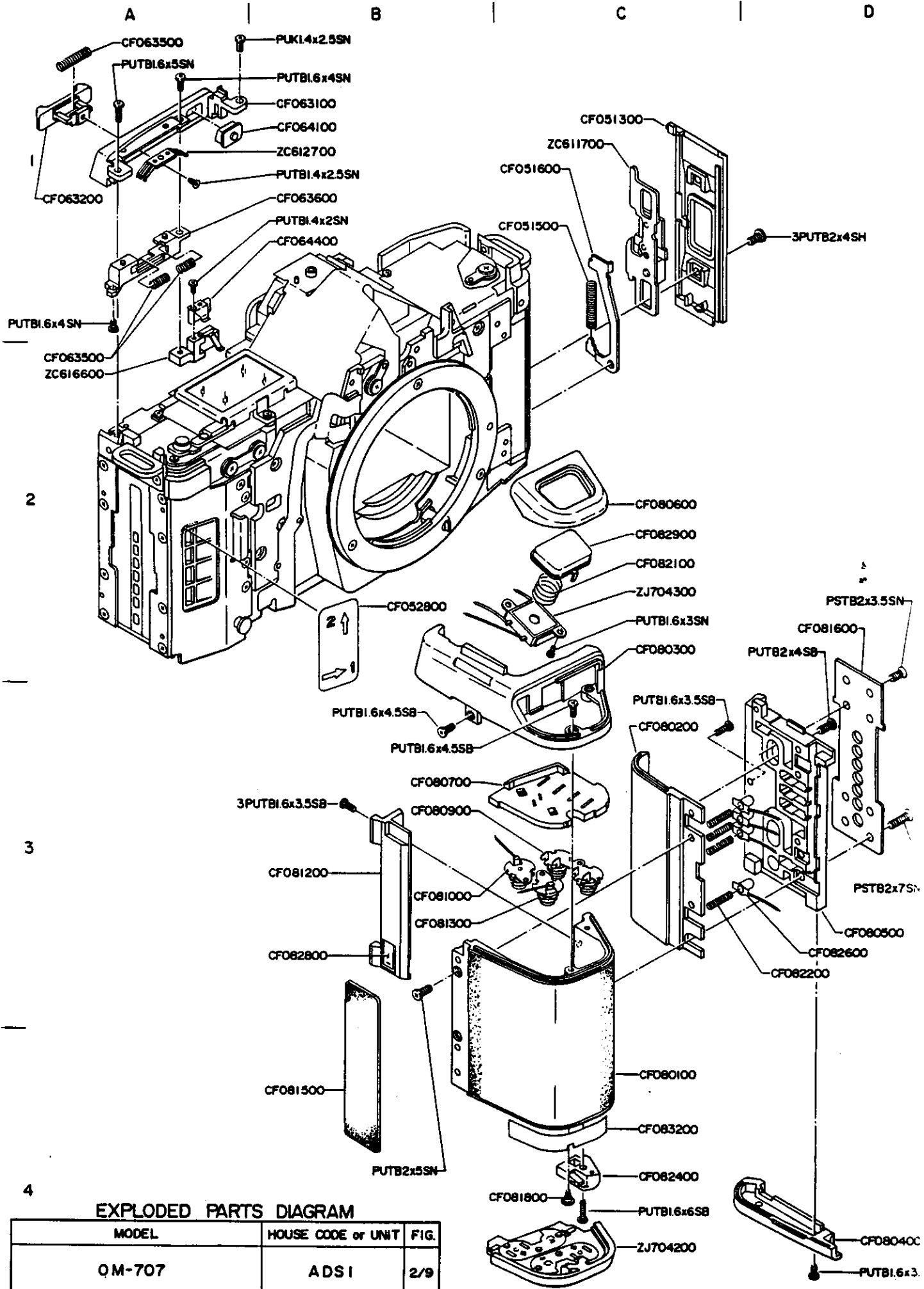
OLYMPUS OM-AF SYSTEM RECORDATA BACK 100

1/1

ABD-1

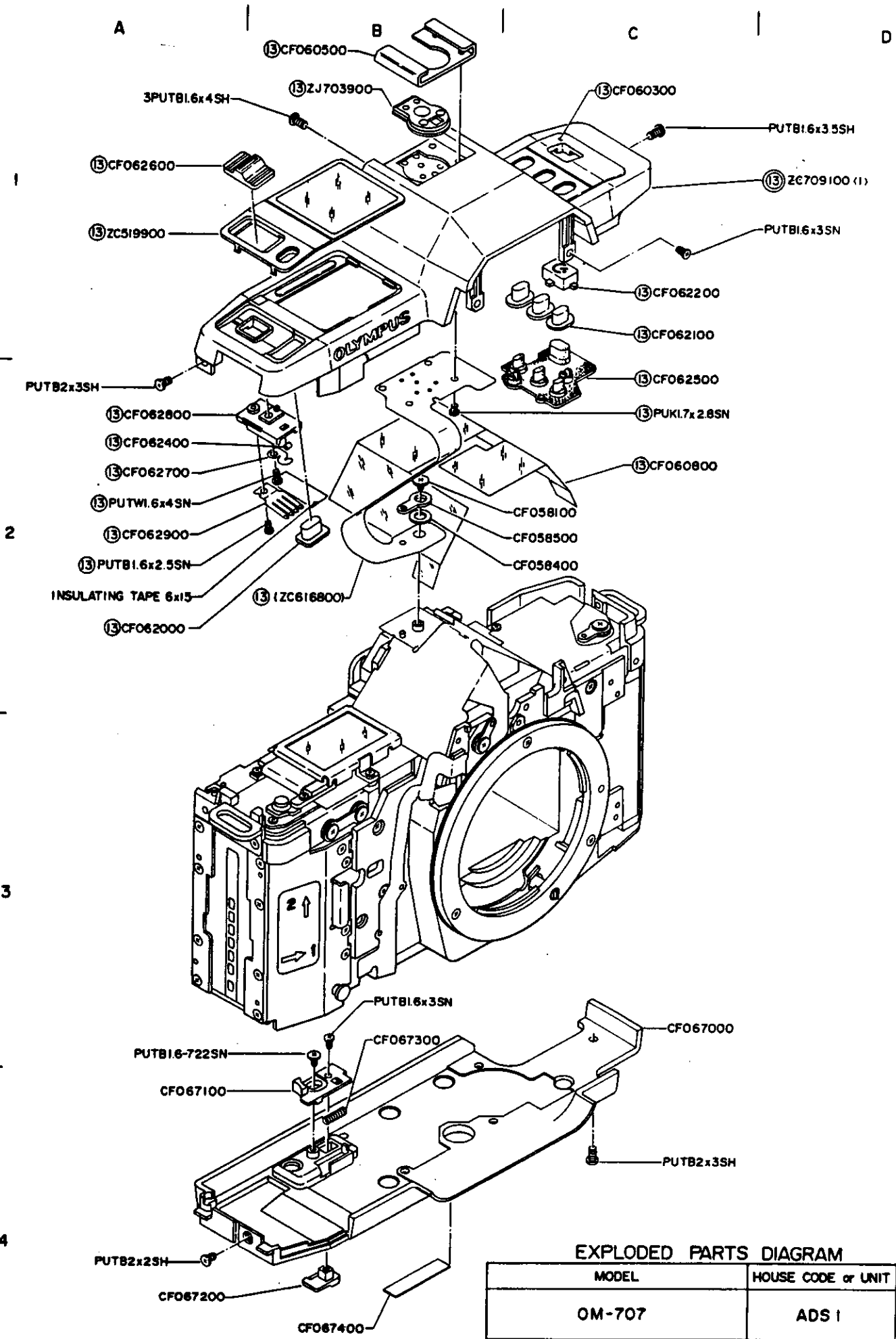
NP-3 0487

PARTS NO.	NAME OF PARTS	NOTE	PARTS NO.	NAME OF PARTS	NOTE
CE497700	FP TAPE 2	B2		SCREW	
CE857800	P LIGHT PROOF	C2	PUTB1.6x3SB		
CE966300	D CONTACT SPRING	C1	PSTB1.6x2.5SN		
CF045200	RC SHAFT	A2		E RING	
CF045300	RC SHAFT SPRING	A2	ER-2SN		
CF045400	RC SHAFT SCREW	B2			
CF045600	LOCK PLATE A	C2			
CF045700	WINDOW	B2			
CF046100	F GUIDE A	B3			
CF046200	F ROLLER A	A4			
CF046300	GUIDE SPRING A	B3			
CF046400	GUIDE SHAFT A	B4			
CF046500	SK ROLLER 1	B3			
CF046600	SK ROLLER 2	B3.B4			
CF085300	P.P HOLDER	C3			
CF085500	P. SPRING	C3			
CF085600	CONTACT BASE	C1			
CF085700	D CONTACT	C1			
CF085800	D GRIP	A2			
CF086300	D BUTTON	C3			
CF086500	B TAPE	B2			
ZC618400	D CIRCUIT BOARD	C2			
ZC618500	CIRCUIT BOARD UNIT	D2			
ZJ705200	REAR COVER D	C2			
ZJ705300	PRESSURE PLATE	C3			
ZJ705400	F GUIDE	B3			



EXPLODED PARTS DIAGRAM

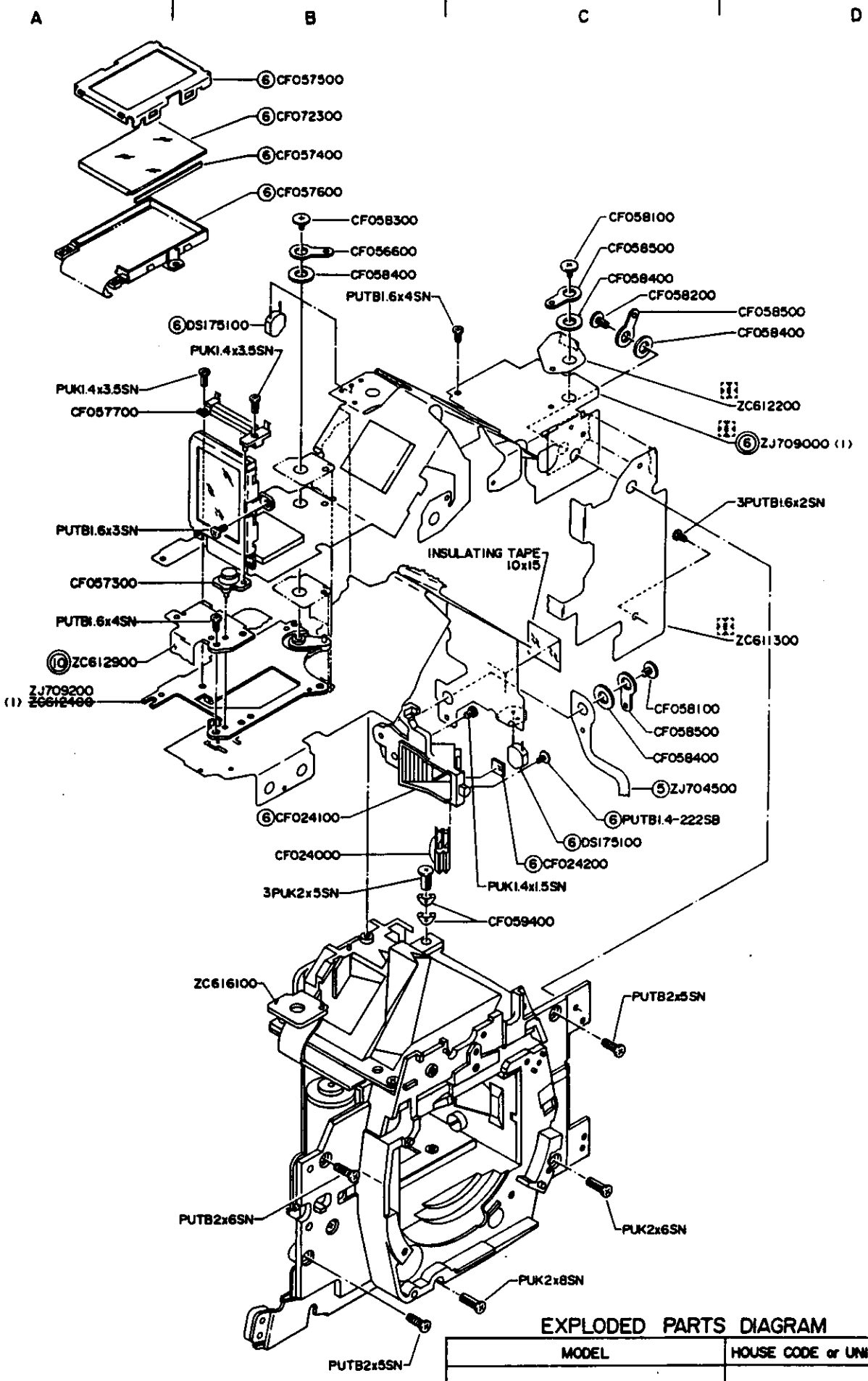
MODEL	HOUSE CODE or UNIT	FIG.
OM-707	ADSI	2/9
OLYMPUS OPTICAL CO., LTD. TOKYO, JAPAN		



EXPLODED PARTS DIAGRAM

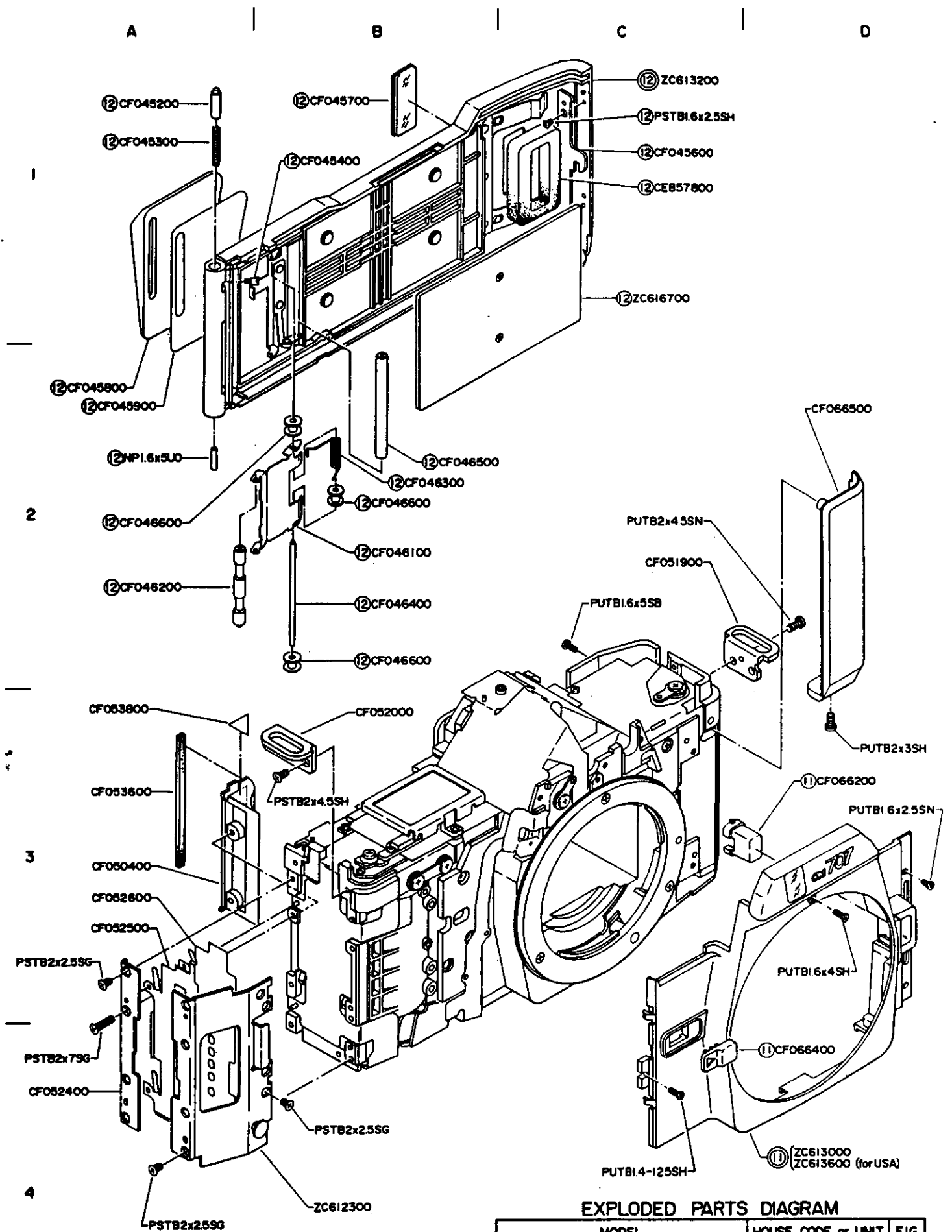
MODEL	HOUSE CODE or UNIT	FIG.
OM-707	ADS I	1/9

OLYMPUS OPTICAL CO., LTD. TOKYO, JAPAN



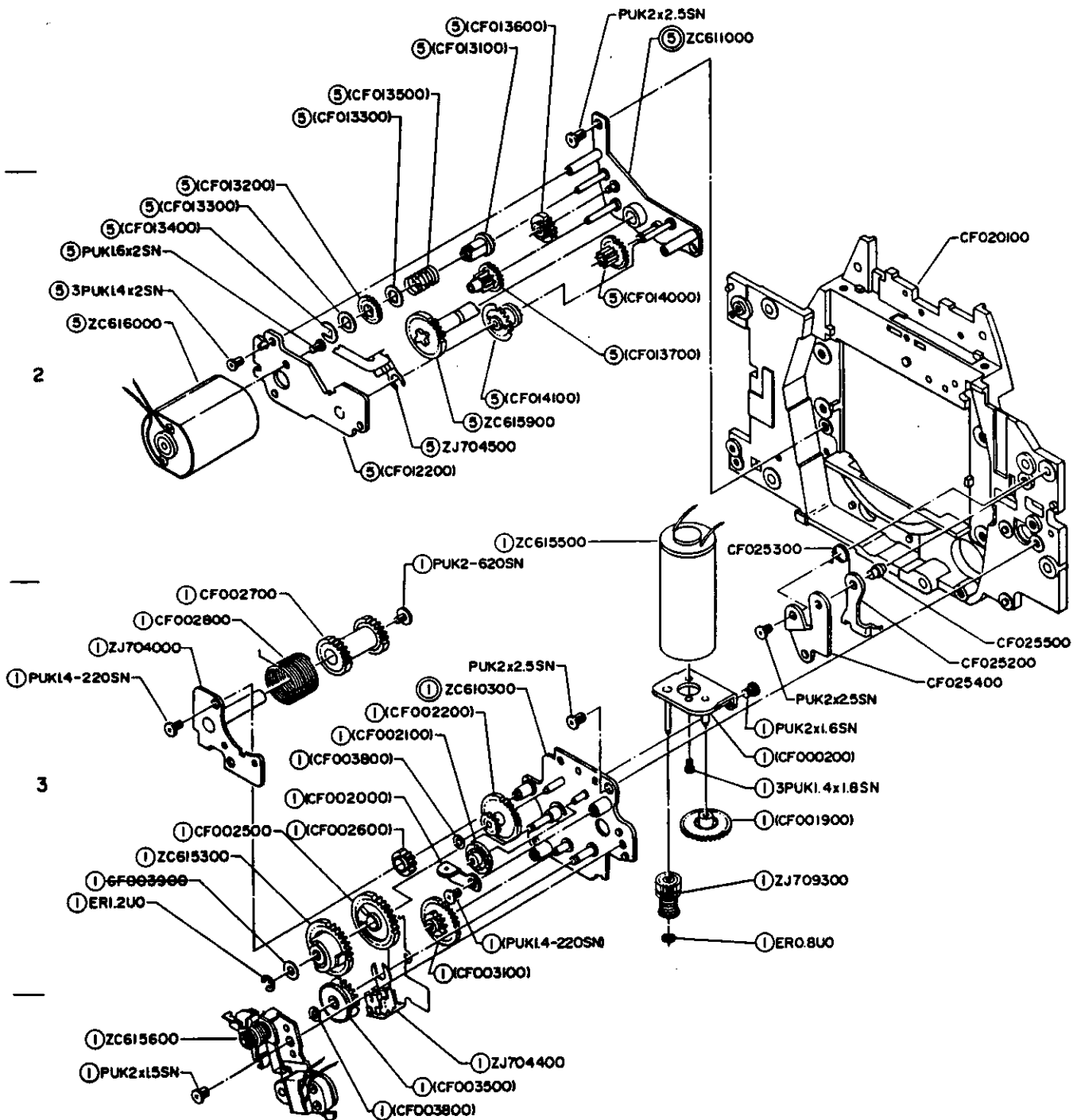
EXPLODED PARTS DIAGRAM

MODEL	HOUSE CODE or UNIT	FIG.
OM-707	ADS I	4/9
OLYMPUS OPTICAL CO., LTD. TOKYO, JAPAN		



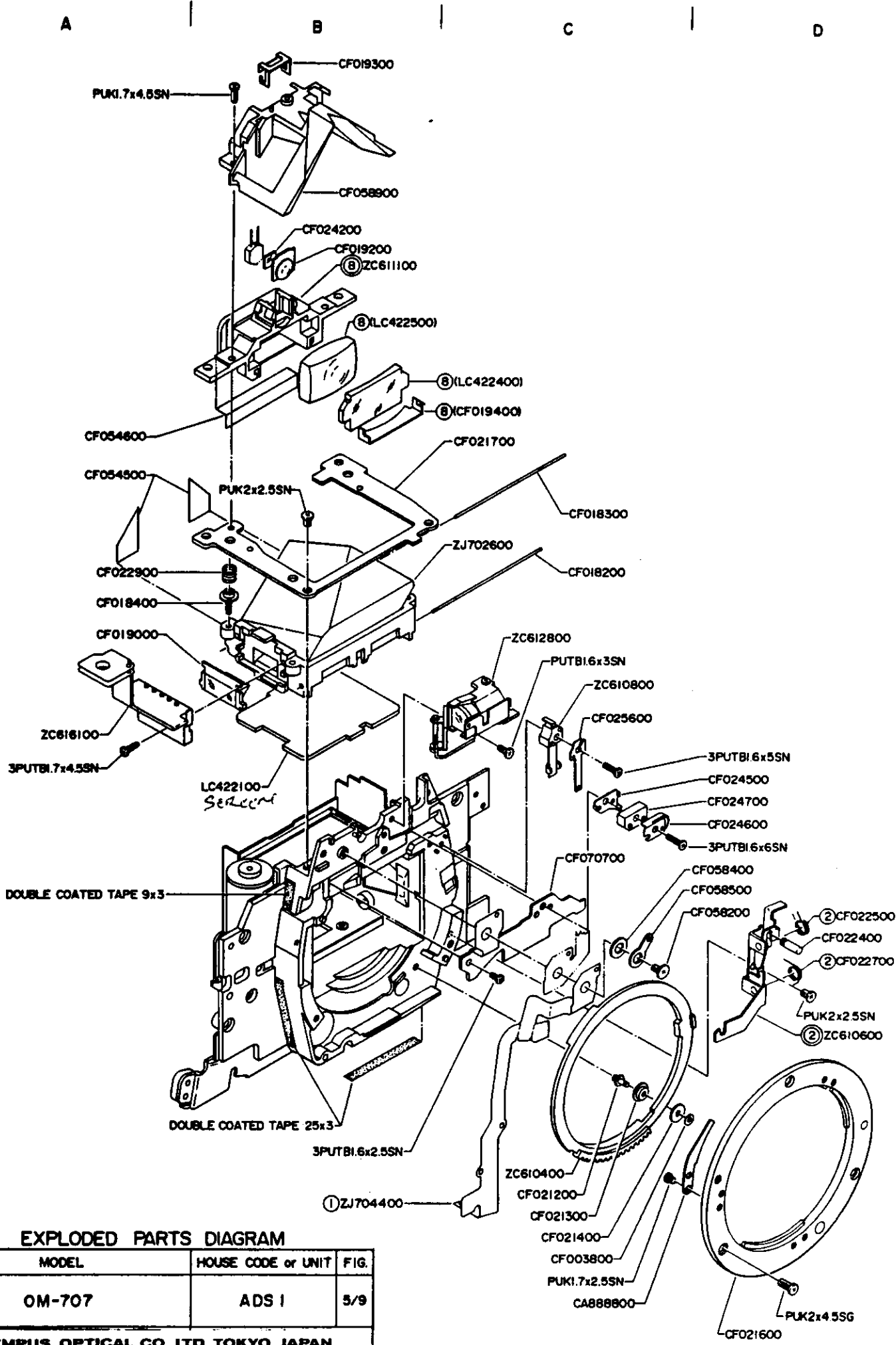
EXPLODED PARTS DIAGRAM

MODEL	HOUSE CODE or UNIT	FIG.
OM-707	ADS 1	3/9
OLYMPUS OPTICAL CO., LTD. TOKYO, JAPAN		



EXPLODED PARTS DIAGRAM

MODEL	HOUSE CODE or UNIT	FIG.
OM-707	ADS I	6/9
OLYMPUS OPTICAL CO., LTD. TOKYO, JAPAN		



EXPLODED PARTS DIAGRAM

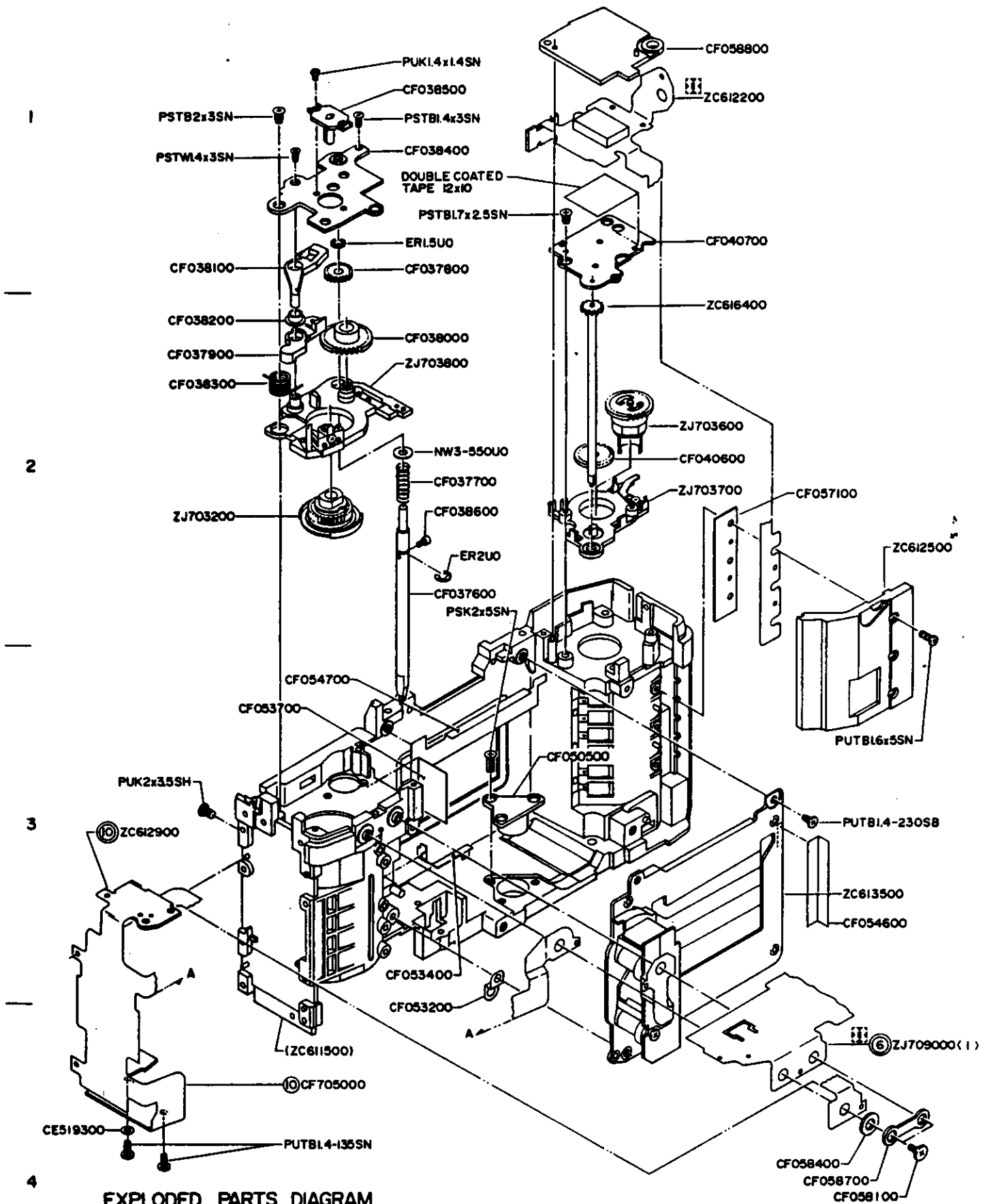
MODEL	HOUSE CODE or UNIT	FIG.
OM-707	ADS I	5/9
OLYMPUS OPTICAL CO., LTD. TOKYO, JAPAN		

A

B

C

D



EXPLODED PARTS DIAGRAM

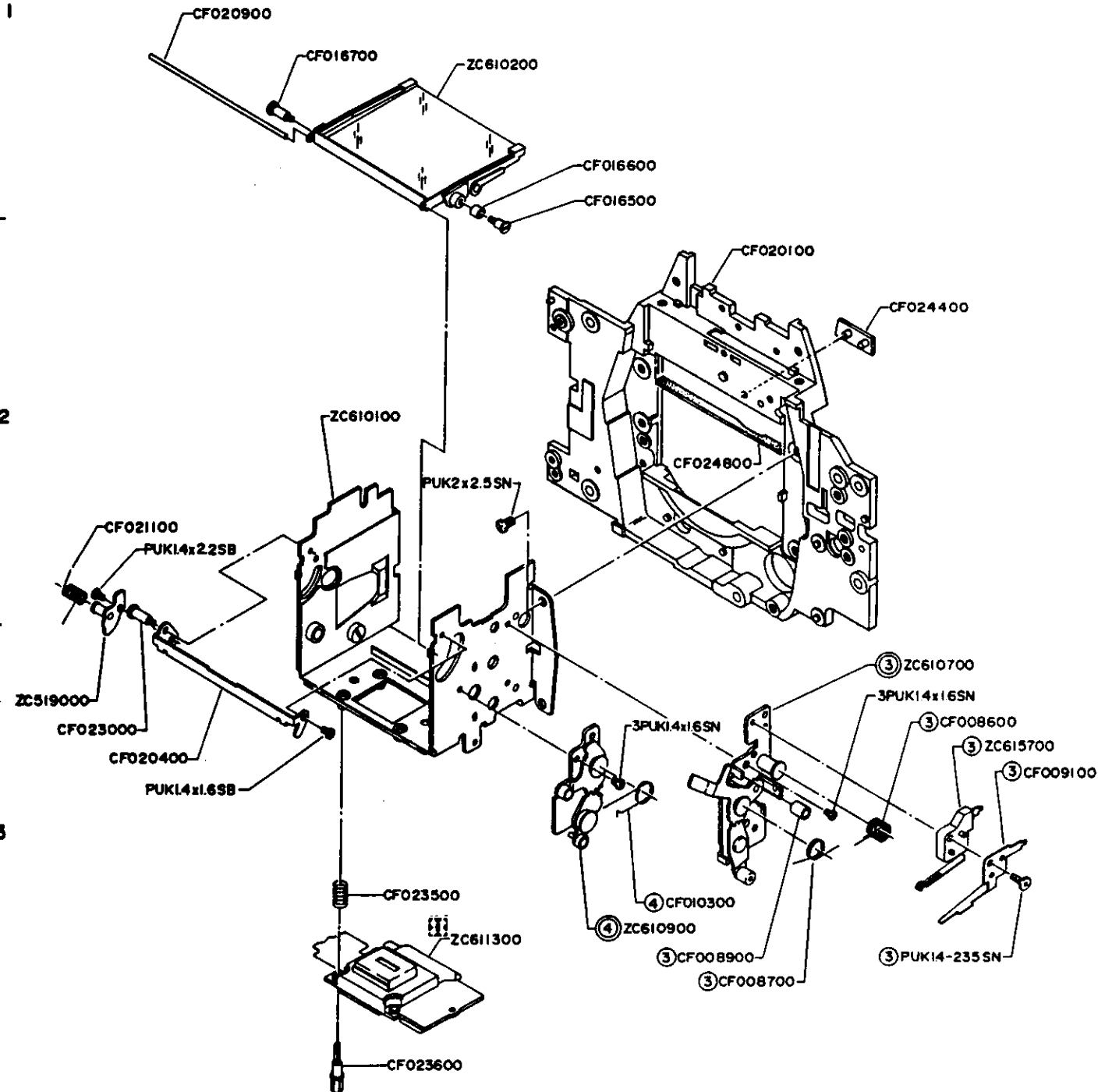
MODEL	HOUSE CODE or UNIT	FIG.
OM-707	ADS I	B/9
OLYMPUS OPTICAL CO., LTD. TOKYO, JAPAN		

A

B

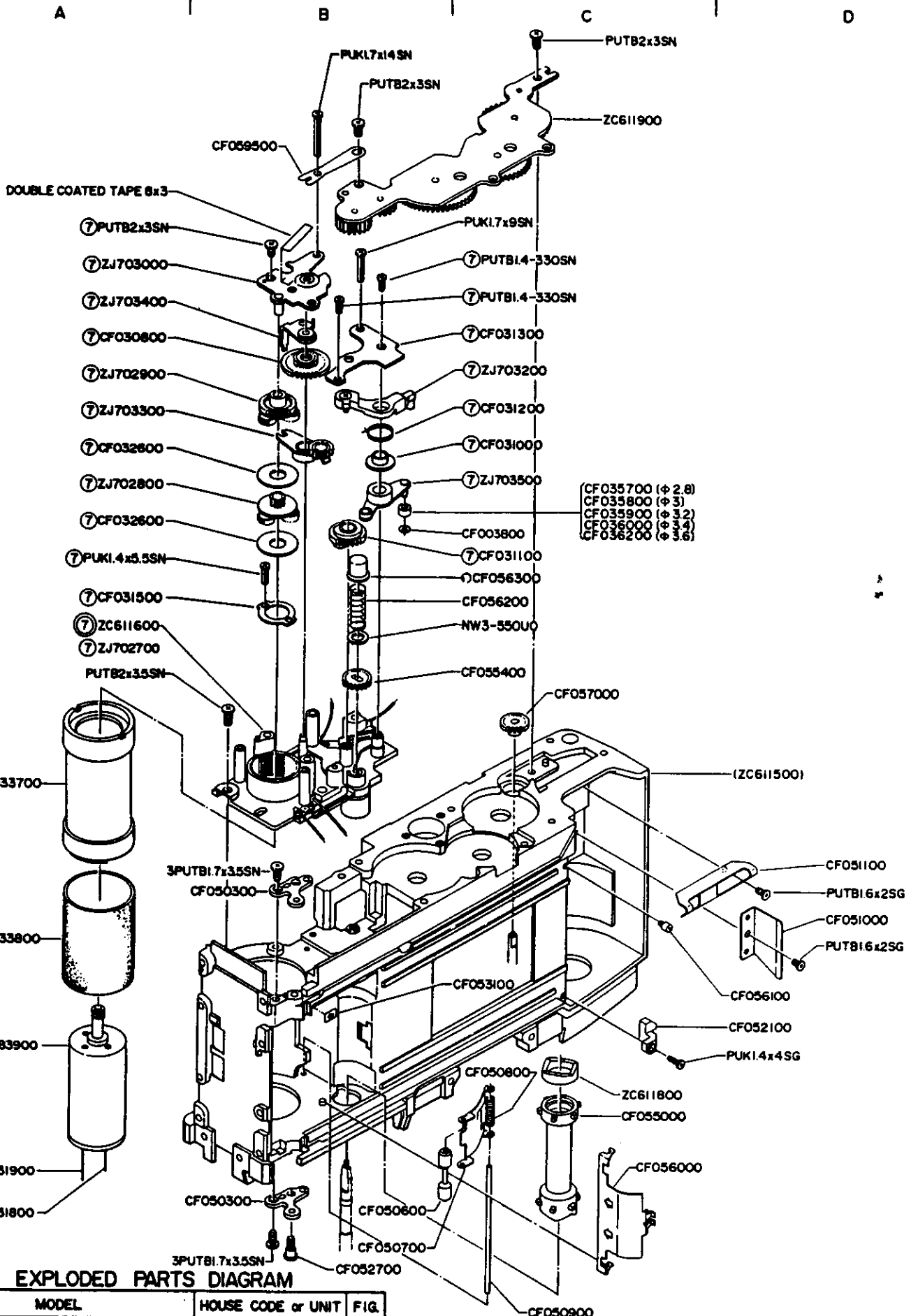
C

D



EXPLODED PARTS DIAGRAM

MODEL	HOUSE CODE or UNIT	FIG.
OM-707	ADS I	7/9
OLYMPUS OPTICAL CO., LTD. TOKYO, JAPAN		



EXPLODED PARTS DIAGRAM

MODEL	HOUSE CODE or UNIT	FIG.
OM-707	ADSI	9/9
OLYMPUS OPTICAL CO., LTD. TOKYO, JAPAN		

OLYMPUS OM707 (OM77AF)

PARTS LIST

ADS 1

1/5

0287

<u>PARTS NO.</u>	<u>NAME OF PARTS</u>	<u>NOTE</u>	<u>PARTS NO.</u>	<u>NAME OF PARTS</u>	<u>NOTE</u>
CA888800	MOUNT SPRING	5-C4	CF023600	SENER SCREW	7-B4
CA937700	GUIDE	9-D3	CF024000	M LENS	4-B3
			CF024100	SBC COVER	4-B3
			CF024200	FILTER	4-C3, 5-B1
CE576000	L INSULATOR	8-B4	CF024400	PIN GUIDE	7-D2
CE857800	P LIGHT PROOF	3-C1	CF024500	AV SWITCH	5-D3
			CF024600	AV CONTACT	5-B3
			CF024700	INSULATION BASE	5-D3
CF002500	A8 GEAR 2	6-A3	CF024800	M DUMPER	7-C2
CF002700	A8 GEAR	6-A3	CF025200	G STOPPER PLATE 1	6-D3
CF002800	DIA SPRING	6-A3	CF025300	G STOPPER SPRING	6-C2
CF003800	GEAR HOLDER A	5-C4	CF025400	G STOPPER PLATE 2	6-D3
CF003900	6 GEAR WASHER	6-A3	CF025500	G STOPPER SHAFT	6-D3
CF008600	MU SPRING	7-D3	CF025600	LOCK CONTACT 1	5-C3
CF008700	STOPPER SPRING	7-C3			
CF008900	MU TUBE	7-C3	CF030800	2 GEAR	9-A1
CF009100	CONTACT 1	7-D3	CF031000	W STOPPER COLLAR	9-C2
			CF031100	4 CAM GEAR	9-C2
CF010300	SC SPRING	7-C3	CF031200	W STOPPER SPRING	9-C2
CF016500	M UP SHAFT	7-C1	CF031300	W5 BASE PLATE	9-C1
CF016600	M UP COLLAR	7-C1	CF031500	W3 WHISHER	9-A2
CF016700	M SPRING HOOK	7-B1	CF032600	PL WASHER	9-A2
CF018200	F SPRING	5-C2	CF033700	SPOOL	9-A3
CF018300	R SPRING	5-C2	CF033800	SPOOL RUBBER	9-A3
CF018400	FOCUS SHAFT	5-A2	CF035700	HS ROLLER 21 #2.3	9-C2
CF019000	F PRISM	5-A2	CF035800	" 22 #3	9-C2
CF019200	P LENS	5-B1	CF035900	" 23 #3.2	9-C2
CF019300	SBC HOLDER	5-B1	CF036000	" 24 #3.4	9-C2
			CF036200	" 25 #3.6	9-C2
CF020100	FRONT CASTING	6-D2, 7-C2	CF037600	5 SHAFT	8-B2
CF020400	HOLD PLATE	7-A3	CF037700	SK SPRING	8-B2
CF020900	M SHAFT	7-A1	CF037800	52 GEAR	8-B1
CF021100	MD SPRING	7-A2	CF037900	A LEVER	8-A2
CF021200	A PULLEY SHAFT	5-C4	CF038000	6 GEAR	8-B2
CF021300	A PULLEY	5-C4	CF038100	HOLD LEVER	8-A1
CF021400	A WASHER	5-C4	CF038200	HOLD LEVER COLLAR	8-A2
CF021500	B MOUNT F	5-D4	CF038300	A LEVER SPRING	8-A2
CF021700	ARM	5-C2	CF038400	W1 BASE PLATE	8-B1
CF022400	L LOCK PIN	5-D3	CF038500	SPOOL SHAFT	8-B1
CF022500	L LOCK SPRING	5-D3	CF038600	5 SHAFT PIN	8-B2
CF022700	C SPRING	5-D3			
CF022900	FOCUS SPRING	5-A2	CF040600	R10 GEAR	8-C2
CF023000	HOLD PLATE SCREW	7-A3	CF040700	R1 BASE PLATE	8-C1
CF023500	SENER SPRING	7-B3	CF045200	RC SHAFT	3-A1
			CF045300	RC SHAFT SPRING	3-A1

OLYMPUS OM707 (OM77AF)

PARTS LIST

ADS 1

3/5

0287

<u>PARTS NO.</u>	<u>NAME OF PARTS</u>	<u>NOTE</u>	<u>PARTS NO.</u>	<u>NAME OF PARTS</u>	<u>NOTE</u>
CF067000	BOTTOM PLATE	1-C3	ZC519000	SHAFT PLATE	7-A3
CF067100	R LOCK PLATE	1-A4	ZC519900	UPPER PLATE	1-A1
CF067200	R LOCK LEVER	1-A4	ZC610100	M BASE PLATE	7-B2
CF067300	R LOCK SPRING	1-B3	ZC610200	MIRROR FRAME 2	7-B1
CF067400	NUMBER PLATE	1-B4	ZC610300	A BASE PLATE	6-B2
CF070500	B CIRCUIT BOARD	8-B4	ZC610400	D RING	5-C4
CF070700	S CIRCUIT BOARD	5-C3	ZC510600	LC BASE	5-D3
CF072300	BLCD	4-B1	ZC610700	R BASE PLATE	7-D5
			ZC610800	LOCK BASE	5-C2
			ZC610900	SC BASE PLATE	7-C3
CF080100	G FRONT COVER	2-C4	ZC611000	F BASE PLATE	6-C1
CF080200	G REAR COVER	2-C3	ZC611100	S FRAME	5-B1
CF080300	G TOP COVER	2-C2	ZC611300	F CIRCUIT BOARD	4-D2, 7-B3
CF080400	G BOTTOM PLATE	2-D4	ZC611400	MAIN CIRCUIT BOARD	4-D2, 8-D4
CF080500	CONTACT HOLDER	2-D3			
CF080600	BUTTON BASE	2-C2	ZC611600	LOWER WINDER ASS'Y	9-A2
CF080700	D WALL	2-B3	ZC611700	KEY PLATE B	2-C1
CF080900	D CONTACT 2	2-B3	ZC611800	SW RING	9-C4
CF081000	D CONTACT 3	2-B3	ZC611900	R3 BASE PLATE	9-C1
CF081200	BODY HOOKER	2-B3	ZC612200	DX CIRCUIT BOARD	4-D2, 8-C1
CF081300	D SPRING	2-B3	ZC612300	G PLATE 1	3-B4
CF081500	SIDE RUBBER	2-B4	ZC612400	HEAD PLATE	4-A2
CF081600	GS PLATE	2-D2	ZC612500	DX ASS'Y	8-D2
CF081800	GUIDE PIN	2-C4	ZC612700	SHIFT PLATE	2-B1
CF082100	REL SPRING	2-C2	ZC612800	LIGHT SUPPLIER	5-C2
CF082200	GS SPRING	2-D3	ZC612900	B CIRCUIT BOARD	4-A2, 5-B3
CF082400	G BOTTOM PLATE 2	2-C4	ZC613000	FRONT COVER	3-D4 FOR OM70
CF082600	G CONTACT	2-D3	ZC613200	REAR COVER	3-C1
CF082800	B SEAL 2	2-B3	ZC613300	TOP COVER	1-D1
CF082900	REL BUTTON	2-C2	ZC613500	SHUTTER ASS'Y	8-D3
CF083200	B SEAL	2-C4	ZC613600	FRONT COVER	3-D4 FOR OM70A (FOR NORTH AMERICA ONLY)
DS175100	PHOTO DIODE	4-B1, C3	ZC615300	6 GEAR 1	6-A3
			ZC615500	AV MOTOR	6-B2
			ZC615600	MG BASE PLATE 2	6-A4
LC422100	FOCUSING SCREEN	5-B3	ZC615700	MJ SWITCH	7-D3
			ZC615900	SHAFT GEAR	6-B2
			ZC616000	AF MOTOR	6-A2
			ZC616100	FD CIRCUIT BOARD	4-B3, 5-A3
			ZC616300	W MOTOR	9-A3
			ZC616400	R9 GEAR	8-C2
			ZC516600	AL SWITCH	2-A2
			ZC616700	PRESSURE PLATE	3-C1
			ZC616800	FL CIRCUIT BOARD	1-B2

OLYMPUS OM707 (OM77AF)

PARTS LIST

ADS 1

2/5

0287

<u>PARTS NO.</u>	<u>NAME OF PARTS</u>	<u>NOTE</u>	<u>PARTS NO.</u>	<u>NAME OF PARTS</u>	<u>NOTE</u>
CF045400	RC SHAFT SCREW	3-B1	CF056000	GUIDE PLATE	9-C4
CF045600	LOCK PLATE A	3-C1	CF056200	R SPRING	9-C2
CF045700	WINDOW	3-B1	CF056300	R BUTTON	9-C2
CF045800	B GRIP	3-A2	CF057000	R 91 GEAR	9-C2
CF045900	B TAPE	3-A2			
CF046100	F GUIDE A	3-B2	CF057100	DX PACKING	8-D2
CF046200	F ROLLER A	3-A2	CF057300	RES RUBBER	4-A2
CF046300	GUIDE SPRING A	3-B2	CF057400	LC RUBBER	4-B1
CF046400	GUIDE SHAFT A	3-B2	CF057500	LC FRAME	4-B1
CF046500	SK ROLLER 1	3-B2	CF057600	LC CASE	4-B1
CF046600	SK ROLLER 2	3-B2	CF057700	LC HOLDER	4-A2
			CF058100	C SCREW 13	1-C2, 4-C1, 2
CF050300	HINGE	9-B3, B4	CF058200	C SCREW 16	4-C1, 5-D3
CF050400	HINGE HOLDER	3-A3	CF058300	FD SCREW	4-B1
CF050500	TRIPOD MOUNT PLATE	8-C3	CF058400	C RUBBER 14	1-C2, 4-B1, C3
CF050600	F ROLLER B	9-B4	CF058500	CNW 14	1-C2, 4-B1, C3
CF050700	F GUIDE B	9-B4	CF058700	CNW 16	8-D4
CF050800	GUIDE SPRING B	9-C3	CF058800	SWITCH BASE	8-C1
CF050900	GUIDE SHAFT B	9-C4	CF058900	FPC BASE	5-B1
CF051000	P SIDE SPRING	9-D3	CF059400	G CONTACT U	4-C3
CF051100	P BOTTOM SPRING	9-D3	CF059500	G CONTACT D	9-B1
CF051300	LOCK PLATE COVER	2-C1			
CF051500	LOCK SPRING	2-C1	CF060300	TOP COVER L	1-C1
CF051600	LP LOCK	2-C1	CF060500	ACCE. SHOE	1-B1
CF051900	STRAP PLATE L	3-C2	CF060800	U INSULATOR	1-C2
			CF06200C	RES BUTTON	1-A2
CF052000	STRAP PLATE R	3-B3	CF062100	BUTTON X	1-C1
CF052100	P GUIDE	9-D3	CF062200	BUTTON S	1-C1
CF052400	G PLATE 2	3-A4	CF062500	BUTTON RUBBER	1-C2
CF052500	G SPRING PLATE	3-A3	CF062600	PW KNOB	1-A1
CF052600	G CONNECTION COVER	3-A3	CF062700	PW CLICK	1-A2
CF052700	HINGE SCREW	9-B4	CF062800	PW PLATE	1-A2
CF052800	G NAME PLATE	2-B2	CF062900	PW CONTACT	1-A2
CF053100	PW PLATE	9-C3			
CF053300	LIGHT PROOF 1	8-D3	CF063000	PW BALL	1-A2
CF053400	LIGHT PROOF 2	8-B3	CF063100	SHIFT FRAME	2-B1
CF053500	LIGHT PROOF U1	8-B2	CF063200	SHIFT KNOB	2-A1
CF053600	LIGHT PROOF V	3-A3	CF063500	SHIFT SPRING	2-A1, A2
CF053700	LIGHT PROOF G	8-B3	CF063600	SPRING CASE	2-B1
CF053800	LIGHT PROOF H	3-A3	CF064100	AL BUTTON	2-B1
CF053900	LIGHT PROOF U2	8-C3	CF064400	AL CONTACT 2	2-B1
			CF066200	E BUTTON	3-D3
CF055000	SPROCKET	9-C4	CF066400	G LOCK KNOB	3-D4
CF055400	SPROCKET GEAR	9-C2	CF066500	L GRIP	3-D2
CF055500	CLAW	9-C2			

OLYMPUS OM707 (OM77AF)

PARTS LIST

ADS 1

5/5

0287

<u>PARTS NO.</u>	<u>NAME OF PARTS</u>	<u>NOTE</u>	<u>PARTS NO.</u>	<u>NAME OF PARTS</u>	<u>NOTE</u>
PSTB2 X 2.5SG		SCREW	3PUK1.4 X 1.6SN		SCREW
PSTB2 X 3 SN		"	3PUK1.4 X 1.8SN		"
PSTB2 X 3.5SH		"	3UK1.4 X 2 SN		"
PSTB2 X 3.5SN		"			
PSTB2 X 7 SG		"			
PSTB2 X 7 SN		"	3PUTB1.4 X 2SN		"
PUTB1.4 X 2 SN		"	3PUTB1.6 X 2 SN		"
PUTB1.4 X 2.5SN		"	3PUTB1.6 X 2.5SN		"
PUTB1.4 X 3 SN		"	3PUTB1.6 X 3.5SB		"
PUTB1.4 X 3.5SN		"	3PUTB1.6 X 4 SH		"
PUTB1.4 - 135SH		"	3PUTB1.6 X 4 SN		"
PUTB1.4 - 222SB		"	3PUTB1.6 X 5 SN		"
PUTB1.4 - 230SB		"	3PUTB1.6 X 6 SN		"
PUTB1.4 - 330SN		"			
			3PUTB2 X 4SH		"
PUTB1.6 X 1.5SN		"			
PUTB1.6 X 2 SG		"	ERO.8SN		E RING
PUTB1.6 X 2.5SN		"	ERO.8UO		"
PUTB1.6 X 3 SN		"	ER1.2UO		"
PUTB1.6 X 3.5SB		"	ER1.5UO		"
PUTB1.6 X 3.5SH		"	ER2UO		"
PUTB1.6 X 4 SH		"			
PUTB1.6 X 4 SN		"	NW1.6 - 338UO		WASHER
PUTB1.6 X 4.5SB		"	NW3 - 550UC		"
PUTB1.6 X 5 SB		"			
PUTB1.6 X 5 SN		"			
PUTB1.6 X 6 SB		"	NP1.6 X 5 UO		PIN
PUTB1.6 - 722SN		"			
			RBJ-A	LEAD WIRE	(BLUE) 10cm LONG
PUTB2 X 2 SH		"	RBJ-B	"	(BLACK) "
PUTB2 X 3 SH		"	RBJ-C	"	(BROWN) "
PUTB2 X 3 SN		"	RBJ-D	"	(ORANGE) "
PUTB2 X 3.5SH		"	RBJ-G	"	(GREEN) "
PUTB2 X 3.5SN		"	RBJ-H	"	(GRAY) "
PUTB2 X 4 SB		"	RBJ-M	"	(PURPLE) "
PUTB2 X 4 SN		"	RBJ-P	"	(PINK) "
PUTB2 X 5 SN		"	RBJ-R	"	(RED) "
PUTB2 X 6 SN		"	RBJ-W	"	(WHITE) "

OLYMPUS OM707 (OM77AF)

PARTS LIST

ADS 1.

4/5

0287

<u>PARTS NO.</u>	<u>NAME OF PARTS</u>	<u>NOTE</u>	<u>PARTS NO.</u>	<u>NAME OF PARTS</u>	<u>NOTE</u>
ZJ702600	PENTA PRISM	5-C2	PSK2 X 5SN		SCREW
ZJ702700	W3 BASE PLATE	9-A2			
ZJ702800	PL 1	9-A2			
ZJ702900	PL 2	9-A2	PUK1.4 X 1.4SN		"
ZJ703000	W3 BASE PLATE	9-A1	PUK1.4 X 1.5SN		"
ZJ703100	SPOOL HOLDER	8-A2	PUK1.4 X 1.6SB		"
ZJ703200	W STOPPER	9-C2	PUK1.4 X 2 SN		"
ZJ703300	W3 ARM	9-A2	PUK1.4 X 2.2SB		"
ZJ703400	R3 ARM	9-A1	PUK1.4 X 2.5SN		"
ZJ703500	HS LEVER	9-C2	PUK1.4 X 3.5SN		"
ZJ703600	R11 GEAR	8-C2	PUK1.4 X 4 SG		"
ZJ703700	R2 BASE PLATE	8-C2	PUK1.4 X 5.5SN		"
ZJ703800	W2 BASE PLATE	8-B2	PUK1.4 - 220SN		"
ZJ703900	SHOE CONTACT	1-E1	PUK1.4 - 235SN		"
ZJ704000	A BASE PLATE 2	6-A3	PUK1.6 X 2 SN		"
ZJ704200	BATTERY LID	2-CA			
ZJ704300	SWITCH	2-C2	PUK1.7 X 2.5SN		"
ZJ704400	AV CIRCUIT BOARD	5-B4,6-B4	PUK1.7 X 2.8SN		"
ZJ704500	PIF CIRCUIT BOARD	4-C2,6-B2	PUK1.7 X 4.5SN		"
			PUK1.7 X 9 SN		"
			PUK1.7 X 14 SN		"
			PUK2 X 1.5SN		"
			PUK2 X 1.6SN		"
			PUK2 X 2 SN		"
			PUK2 X 2.5SN		"
			PUK2 X 3.5SH		"
			PUK2 X 4 SN		"
			PUK2 X 4.5SG		"
			PUK2 X 6 SN		"
			PUK2 X 8 SN		"
			PUK2 - 620SN		"
			PSTB1.4 X 3SN		"
			PSTB1.6 X 2.5SB		"
			PSTB1.7 X 2.5SN		"

INDEX

PARTS LIST	
A. PRODUCT OUTLINE	A-1~A-6
B. INSPECTION STANDARDS	B-1~B-8
C. DISASSEMBLY PROCEDURES	C-1~C-14
D. REASSEMBLY AND ADJUSTMENT PROCEDURES	D-1~D-15
E. REPAIR PROCEDURES	E-1~E-33
I. DESCRIPTION OF MECHANISM	I-1~I-26
J. OTHERS	J-1~J-15
TROUBLE SHOOTING	
WIRING AND CIRCUIT DIAGRAMS	

A

PRODUCT OUTLINE

A. PRODUCT OUTLINE

CONTENT

1.	PRODUCT OUTLINE	A-1
2.	MAIN SPECIFICATIONS	A-2
3.	NOTES	A-4
1.	Notes on Using the OM System	A-4
2.	Notes on Using the System	A-4
3.	Notes on Driving the Auto-focus Lens	A-5
4.	Notes on Using Auto-loading, Wind and Rewind	A-6
5.	Other Notes	A-6

1. PRODUCT OUTLINE

Model name : OLYMPUS OM707 (OLYMPUS OM77AF is for North America)
 House code : ADS1

2. MAIN SPECIFICATIONS

Type : 35 mm single lens reflex with autofocus and auto-exposure
 Lens mount : OLYMPUS OM-AF mount
 Conventional OM lenses are adaptable (AF lens can not be used with conventional OM bodies)

Lens : 1. OM-AF lens (AF possible)
 2. OM lens (AF and focus aid are not available)

- Switches automatically aperture-preferred auto mode
- Viewfinder indication disappears
- Early stage products do not self-operate (however, mark is shown in LCD panel)

Shutter : Electronically controlled vertical-travel focal-plane shutter
 Shutter speed 2 ~ 1/2000 sec.

Synchronization : 1. Contact (exclusive flash)
 2. Hot shoe, X contact, contacts for F flash and for T-series flash

Autofocus : (Method) TTL phase detection system with CCD zero-in sensor
 (Focusing Sensitivity range) EV4 ~ 18 (ISO 100)
 (Actuation method)

- Single/continuous
- Press shutter release lightly for focus lock in single mode
- Release is possible only when object is in focus.

 (Notice) Single-point 2-color LED in viewfinder
 Focused: green lamp
 Autofocus impossible: red lamp

AF illuminator : Automatic actuation in low light

Manual focus : OM-AF lens: using shift knob
 OM lens: using focus

Photographing mode setting : 1. Single/continuous exchange button
 2. Power-focus/Auto-focus exchange button
 3. Shift knob
 4. X mode (F4) setting button (for normal auto flash)
 5. AE-lock button
 6. Reset button (press to enter standard mode)
 7. Power switch

Light metering method : (Indication and exposure control) Viewfinder metering
 (Exposure control) TTL direct metering
 (Sensor element) SBC
 (Light measurement range) EV 1 ~ 20 ISO 100 (50 mm F 1.8)

Exposure mode : 1. Program
 2. Program shift
 3. Automatic program line shift according to focal length of lens exchanged Tele/Standard/
 Wide 3-stage exchange

Type	Focal length	Turning point
WIDE	below 34 mm	1/15
STANDARD	over 35 mm below 90 mm	1/60
TELE	over 90 mm	1 1/250

- Program auto-exposure : (Type): Electronic shutter with automatic shutter speed and aperture control
 (Range): 2 ~ 1/2000 sec.
 F 1.8 ~ F 22 (50 mm F 1.8)
 EV 1 ~ 20
- Flash control : (Super FP flash F280) TTL direct metering/Super FP flash automatic exchange
 (Grip flash) Flashmatic
 (T-series flash) TTL direct metering
 (Normal auto-flash) Normal automatic
- Film sensitivity : (Rang) ISO 25 ~ 3200 in 1/3 EV steps
 (Setting) Set to 100 for film with no DX code or when film is not loaded.
- Viewfinder : (Finder view-field) 93% of actual picture field
 (Magnification) 0.8X with standard 50 mm lens at infinity
 (Viewability) -0.5 diopters.
- Focusing screen : Fixed Super Lumi-Micron Matte with autofocus frame
- Viewfinder information : (Type) LCD display, back illumination by LED
 (Contents)
 1. Focus display (Single-point red or green display)
 2. Shutter speed display
 3. Aperture display
 4. Over/Under exposure warning
 high brightness: "2000" blinks
 low brightness: "L₀" blinks
 5. Flash display
 Super FP flash and normal flash-recharged mark/adequate flash output mark
 6. P shift actuation monitor
 Display persists for approx. 30 sec. after each operation listed below.
 1) Pressing the shutter release halfway
 2) Releasing
 3) Switching power ON
 4) Lens exchange
 5) Operation of each button
- LCD panel information : (Contents)
 1. Exposure mode (PROGRAM)
 "PROGRAM" ON for P exposure mode
 "PROGRAM" blinks for P shift
 OFF for OM lens
 2. Frame number
 3. ISO sensitivity (reads when reset)
 4. Film advancing
 5. Film end (indication of rewinding)
 6. Rewinding
 7. Rewind complete (indication that back cover is open)
 8. AF drive mode (single/continuous)
 9. Focusing mode (AF/PF) OFF for OM lens
 10. Battery check
 11. Self-timer
 12. X mode (F4)
- Film loading : Auto-loading (automatically wound to first frame after closing back cover)
 If film is loaded when power is OFF, actuation starts when power is switched ON.
- Film wind : Automatic wind: Single/Continuous switchable
 Max. wind speed: approx. 1.5 frame per sec.
 Automatically stops at film end
 Displayed on LCD panel during winding.
- Battery life : With power Flash Grip 300: 8 rolls or more (using flash for 50% of exposures)
 With Power Grip 100: 25 rolls or more
 (using 4 sum-4 alkaline batteries, room temperature, 24 EX film, under experimental conditions prescribed by OLYMPUS OPTICAL CO., LTD.)

- Exposure counter : Progressive type, displayed on LCD panel
- Film rewind : Automatic rewind with lock knob and R. button. Automatic stop at film end (film leader is rolled up)
Displayed on LCD panel during rewinding
- Self-timer : 12 sec. delay electronic self-timer
Started by pressing the shutter release button
LED indicates self-timer activation
- Back cover : Exchangeable type with film confirmation window
- Accessory shoe : Fixed type with direct X contact and 5-pin connector for flash signal
- Grip : Power battery grip or power flash grip are available
- Power source : 4 sum-4 alkaline batteries (with power flash grip 300 or power grip 100)
- Battery source : 3-step display
Displayed when reset
Automatically displayed during operation
Displayed when power is switched on.
 - 1. Battery OK
 - 2. Battery weak
 - 3. Battery empty



ON



Blinks



ON

- Data hold : Nonvolatile static memory for necessary functions
- Dimensions : 146 (W) x 89 (H) x 52 (D) mm (with power grip 100, but excluding projections)
160 (W) x 89 (H) x 67.5 (D) mm (with power flash grip 300, but excluding projections)
- Weight : 595 g (with power grip 100, without battery)
630 g (with power flash grip 300, without battery)

3. NOTES

1. Notes on Using the OM System

No.	Cautions	Reasons
1	Only aperture-preferred use is possible when OM lens is mounted.	AF or focus-aid is not indicated in F. (not linked with body).
2	MT6065 or MT1011 cannot be used	Unadaptable to linking mechanism between body and aperture
3	MR5080 cannot be mounted	Penta-prism of upper plate hinders the operation of the mount-remove button
4	M8FE	
5	Auto-bellows, slide-copier, full film stage, trans-illuminator or double-cable release cannot be used	Penta-prism of upper plate hinders the operation of the mount-remove button No connection hole
6	It is difficult to mount Auto-extension tube 65 ~ 116. Tripod cannot be used	Penta-prism of upper plate hinders the operation of the mount-remove button Front plate hinders the tripod
7	Ring flash is not adaptable to AF zoom lens	Front frame rotates in AF mode
8	T45 is not available	Connection is impossible
9	Polarizing filters or R filters are not available (including circular polarization)	AF error caused by polarization and by reduction of light intensity

2. Notes on Using the System

No.	Cautions	Reasons
1	New lens cannot be mounted on conventional OM bodies.	Contacts obstruct mounting
2	Charging of grip flash is frequently stopped because of excessive drop of battery capacity at low temperature.	Charging is stopped because of the priority of camera operations
3	Lenses other than OLYMPUS products cannot be used	<ul style="list-style-type: none"> • Lenses may be obstructed by lens-lock-pin during mounting or removing. • Aperture-control may fail to be linked. • Structures in mounting mechanism may be hindered (Problems such as internal damage may occur or the lens may seize)

3. Notes on Driving the Auto-focus Lens

No.	Cautions	Reasons
1	Focusing may be impossible when subject is moving fast or camera is moved while taking a picture.	Contrast of subject is substantially lowered.
2	If viewfinder information is not displayed, AF cannot be activated even by pressing the release button halfway. (If the button is pressed, AF is activated and the shutter is released) Confirm AF indication before AF lock.	
3	Some subjects are difficult to get in focus	Subjects with no contrast or with a particular pattern such as a vertically-striped lattice.
4	When contrast is low and focusing is impossible, the AF indicator in the viewfinder will be red following the focusing action. When focusing is impossible because of other reasons, the AF indicator shows a red lamp.	Focusing action (lens moves forwards to the front line and moves back)
5	Effect of illumination is reduced if the subject is blue or black.	Efficient range is reduced because the amount of reflectivity (red light) for blue or black subjects is small.
6	If subject is too bright (such as a light source), focusing is impossible.	
7	In the continuous AF mode, the grip flash cannot be recharged. Flash fires only for the first time.	To prevent a significant reduction in voltage due to recharging of the flash, recharging is interrupted during shutter release.
8	AF does not operate normally during zooming.	
9	If focusing fails even with illumination, focusing stops temporarily and the lens focuses on a point 3 m from the lens and illumination is begun again.	In order to increase the possibility of focusing.
10	Efficient range of illumination differs depending on the type of lens.	Contrast is lowered
11	If AF starts when the focus aberration is great, the lens may stop briefly.	Focusing action is first carried out when contrast is low because of great focus aberration. After reaching the point where aberration is detectable, the lens stops for a while to check the amount of aberration.

4. Notes on Using Auto-loading, Wind and Rewind

No.	Cautions	Reasons
1	Film leader is rolled up into film cartridge when rewind ends.	To prevent damage to the shutter blades caused by film leader.
2	High temperatures (over 40°C) or high humidity (over 90%) lead to rewind failure.	Film may stick to the pressure plate or the film itself. Use in lower humidity environments (below 70%)
3	Auto-loading may fail below -10°C.	Film is hardened.
4	For some types of film, winding does not stop at the film end.	Some brands of film are more easily broken at the film end by the teeth on the sprocket. (e.g. Agfa Pan film < 100 is not as strong as Sakura 100.)
5	Do not use the films which have been loaded into film cartridge by users themselves.	If the film leader is not cut in the correct shape, winding may fail. If too much film is mounted on the spool, it may be impossible to rewind it all in the spool chamber.
6	Auto-loading may fail if the perforations do not fit the teeth of the sprocket correctly.	
7	Release is impossible unless the back cover is opened once after rewind ends. If the power switch is turned off and on, rewind will start again.	

5. Other Notes

No.	Cautions	Reasons
1	If power is turned off while releasing or winding, operation may not begin again even when power is turned on. If power is turned off while raising the mirror, the mirror may stop.	Sequential mechanism. To escape, press release button in P.F mode.
2	When the lens mount-release button is pressed and held, the same operations are possible as if an OM lens were mounted.	Switched on OM lens mode by pressing lens mount-release button.
3	Lens stops for an instance in the low-speed power focus mode.	Designed for fine adjustment in power focus mode.
4	After exposure, the aperture becomes smaller for an instance.	
5	Take care not to let back light enter through the eyepiece.	Photo sensor for viewfinder information is upper-side of eyepiece. Some amount of back incident light can lower the quality of AF aperture control accuracy.
6	No indications are displayed in the viewfinder during releasing or winding.	

B

INSPECTION STANDARDS

B. INSPECTION STANDARDS

CONTENTS

1.	APPEARANCE AND FUNCTIONS	B-1
1.	Switches and Buttons	B-1
2.	Illumination	B-1
2.	QUALITY OF FUNCTIONS AND PERFORMANCE	B-2
1.	Film Wind	B-2
2.	Film Rewind	B-2
3.	Flange-focal distance and Optical Path Length	B-2
4.	EE Accuracy	B-2
5.	Shutter	B-3
6.	Aperture Ring	B-3
7.	X(F4) Mode	B-3
8.	X Contact	B-3
9.	Current Consumption	B-4
10.	Battery Voltage during Operation	B-4
11.	Battery Life	B-4
3.	INSPECTION PROCEDURES	B-5

1. APPEARANCE AND FUNCTIONS

Major check points	Items to be checked	Standards and check procedures	
1. Switches and Buttons	Power switch	Force required to slide power switch 220 ± 70 g	
	Rear cover	Force required to press lock button 80 ± 10 g	
	Release button	Force required to turn opening/closing knob 450 ± 50 g	
		Force required to press release button	1st stage 120 ± 80 g
		2nd stage 320 ± 140 g	Stroke of release button 1st stage 0.8 ± 0.4 mm
		2nd stage 1.1 ± 0.5 mm	Rewind button
		Force required to slide rewind button	(early stage) 200 ± 50 g
		(final stage) 350 ± 80 g	Force required to press rewind button 225 ± 50 g
		(at film end) below 500 g	Exchange button
		Focus mode exchange button 100 ± 20 g	Drive mode exchange button 100 ± 20 g
		X(F4) mode exchange button 100 ± 20 g	Reset mode exchange button 150 ± 50 g
		Lock button	Without lens mounted (early stage) 150 ± 50 g
		(final stage) 300 ± 100 g	Self-timer button
		With lens mounted Max. below 500 g	Force required to depress button 100 ± 20 g
		Time set by self-timer 12 ± 2 sec	2. Illumination
Brightness	Lights at approx. BV4 Should light at BV3 or below and should not light at BV5 or above, when AS5018-A light source is used.		
Effective range	Close range below 1.5 m Long distance over 3 m (optical axis of the lens intersects the beam axis at 3 m)		

2. QUALITY OF FUNCTIONS AND PERFORMANCE

Major check points	Items to be checked	Standards and check procedures
1. Film Wind	Force required for turning spool	210 ± 40 g
	Wind time	Less than 450 ms (using new batteries and VR 100 24EX film, temperature 20°C, humidity 65%)
	Frame speed of continuous wind	Approx. 1.5 frames/sec in cont. PF mode.
	Film frame spacing	1.85 ± 0.5 mm
	Perforation	The perforations must not align with the center line between adjacent film frames.
2. Film Rewind	Rewind time	Less than 17 sec. (using new batteries and VR 100 24EX film, temperature 20°C, humidity 65%)
3. Flange-focal distance and Optical Path Length	1. Flange-focal distance	46 mm
	2. Position of pressure plate rails (between mount and pressure plate rails)	46.20 ± 0.01 mm
	3. Tunnel space	0.2 ^{+0.02} _{-0.01}
	4. Optical path length of Viewfinder	46.05 ± 0.02
	5. Optical path length of AF	46.05 ± 0.028

4. EE Accuracy

1. ISO 100 K = 1.3 MS 5018 jig lens (F5.6 Fixed)

BV value	EE accuracy (EV)	
15	0 ± 0.6	equal to 1/1000 ~ 1/2000
11	0 ± 0.4	
7	0 ± 0.4	
4	0 ^{+0.3} _{-0.6}	

Aperture is controlled by the program line depending on brightness.

2. ISO switching accuracy MS 5018 jig lens (F5.6 Fixed)

ISO	BV measurement	EE accuracy (EV)
3200	7	0 ^{+1.2} _{-0.7}
1600	7	0 ± 0.6
800	7	0 ± 0.5
400	7	0 ± 0.5

ISO	BV measurement	EE accuracy (EV)
200	7	0 ± 0.5
100	7	0 ± (Standard)
50	11	0 ± 0.5
25	11	0 ± 0.5

Difference between neighboring EV levels is 0.6V or more.

3. AE lock

AS5018 ISO 100 VB 15
 EE Accuracy ±0.75EV
 1/1000 ~ 1/200 ±0.85EV

Major check points	Items to be checked	Standards and check procedures
--------------------	---------------------	--------------------------------

5. Shutter

Curtain speed
Exposure variation

7.8 ± 0.2 ms (at 20°C)
Maximum difference in exposure time for 3 points (top, center, bottom) of entire picture:

Stability of exposure

0.6EV or lower at a shutter speed of 1/2000
0.3EV or lower at a shutter speed of 2 to 1/1000
5 continuous measuring values of exposure time:

Exposure time error

0.45EV or lower at a shutter speed of 1/2000
0.3EV or lower at a shutter speed of 2 to 1/1000
At the center of the time projected screen, using a system checker.
at a shutter speed of 1/2000 within $\pm 0.55\text{EV}$
at a shutter speed of 2 to 1/1000 within $\pm 0.3\text{EV}$

Shutter speed	Exposure time (ms)	Exposure time allowed (ms)
0.5	2000	1620 ~ 2460
1	1000	812 ~ 1230
2	500	406 ~ 616
4	250	230 ~ 308
8	125	102 ~ 154
15	62.5	50.8 ~ 76.9
30	31.3	25.4 ~ 38.5
60	15.6	12.7 ~ 19.2
125	7.81	6.35 ~ 9.62
250	3.91	3.17 ~ 4.81
500	1.95	1.59 ~ 2.40
1000	0.98	0.79 ~ 1.20
2000	0.49	0.33 ~ 0.71

6. Aperture Ring

Force required for turning (When aperture becomes smaller)

over 90 g

7. X(F4) Mode

Aperture is controlled to F4
Shutter speed is controlled to 1/100

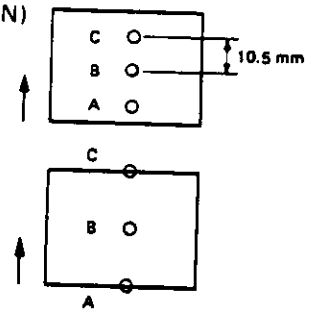
$\pm 0.6\text{EV}$
 10 ms $\pm 0.3\text{EV}$

8. X Contact

X time lag

0.3 ms ~ 1 ms
(C channel \rightarrow XSW ON)

● C channel is on the border of the mask surface 0 ~ 0.6 ms is required for test



Efficiency of X contact
Insulation resistance of X

over 60% at lower speed than 10 ms
over $30\text{ M}\Omega$ at DC 500V

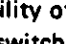


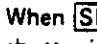
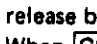

Major check points	Items to be checked	Standards and check procedures
9. Current Consumption	(1) When power is off (2) When power is on an display is off (3) When display is on (4) During distance detection of AF (5) During AF operation (6) When mirror and aperture are in operation (7) During film winding (8) During film rewinding (9) When self-timer is in operation (LED on) (10) During flash recharging (11) Illumination is in operation	below 1 μ A 30 \pm 30 μ A 90 \pm 35 mA 110 \pm 40 mA 330 \pm 100 mA 500 \pm 150 mA 450 \pm 150 mA 400 \pm 120 mA 45 \pm 15 mA 90 \pm 30 mA 300 \pm 60 mA
10. Battery Voltage during Operation	When battery mark blinks When battery mark lights	5.05V 4.55V Requirement is as follow:
11. Battery Life (Under standardized test conditions)	Power grip 100, using sum-4 Alkaline battery Power flash grip 300, using sum-4 alkaline battery, 50% with flash	25 rolls (using 24 EX film) 8 rolls (using 24 EX film)



3. INSPECTION PROCEDURES

These procedures include routine procedures and the standards of inspection for the main functions.

Procedures	Quality	Defect grade	Standards	Remarks
1. Detach body cap	1. Smoothness in attaching and detaching body cap	B.	1. Attachment and removal must be carried out smoothly	
2. Mount and remove power grip	1. Reliability of lock 2. Smoothness in mounting and removing power grip	A. B.	1. Removal not possible without pressing lock button. 2. Removed smoothly by pressing lock button. 3. Mounting and removing is carried out smoothly if power grip is aligned to "index position"	
3. Turn main switch ON and OFF	1. Reliability of switching ON 2. Accuracy of LCD display 3. Reliability of switching OFF	AA. A. A.	1. Indication is displayed on LCD panel when main switch is turned on. 2. "ISO 100" and "battery capacity" are displayed when switch is turned on, and display changes to "ISO 100" "frame counter" 0" "Q (patrone) blinks" after approx. 3 sec. 3. LCD display goes off when switch is turned off.	
4. Open back cover and load film	1. Reliability of opening back cover 2. Reliability of closing back cover 3. Reliability of winding film leader 4. Smoothness in opening and closing of back cover	AA. AA. A. B.	1. No opening without pressing lock button. 2. Opened (by the force of pressure plate spring) smoothly by pressing lock button. 3. Automatically locked when back cover is closed. 4. Leader wind starts* when back cover is locked (release shutter button 4 times), and frame counter reads "1". 5. Opening and closing of rear cover is carried out without touching camera body, etc.	*Leader wind starts automatically when main switch is turned ON.
5. Press release button	1. Reliability of release 2. Accuracy of frame advancing display on LCD 3. Certainty of film ending	AA. A. A.	1. When the release button is pressed, the shutter is released and the film advances one frame. 2. On releasing, the frame counter advances one frame and film advancing is displayed on the LCD. 3. When the film reaches the end, (R) is displayed on the LCD and the shutter cannot be released.	

Procedures	Quality	Defect grade	Standards	Remarks
6. Press R button and rewind film	1. Reliability of R button operation	A.	<ol style="list-style-type: none"> 1. Press R button while pushing lock knob in the direction shown by the arrow to start rewinding. 2. Character " R " of R disappears and the film advance indication is displayed on the LCD. 3. When rewind ends, the frame counter reads "0" and \odot blinks. 	* \odot blinks for approx. 30 seconds.
7. Load film cartridge with different ISO sensitivity	<ol style="list-style-type: none"> 1. Accuracy of display of ISO exchange 2. Correct display of ISO sensitivity in viewfinder 	<p>A.</p> <p>A.</p>	<ol style="list-style-type: none"> 1. ISO 100 is displayed on the LCD when film is unloaded. 2. When a film cartridge with a different ISO sensitivity is loaded, the correct ISO sensitivity must be displayed. 3. Program display (shutter speed, FNO must change depending on the difference in ISO sensitivity. 	<p>* ISO 400 or 1600 is recommended for the test.</p> <p>* This items is inspected during lens-mounting.</p>
8. Mount lens	1. Reliability of lens mounting	A.	<ol style="list-style-type: none"> 1. Lens mounting must be carried out smoothly. 2. At the position where mounting is completed, the E button lock is engaged and the lens must be stabilized. 3. When mounting is completed, the coupler must lock. The coupler should not idle (even if the stopper is pressed strongly). 	* If the power switch is turned ON on completion of mounting, lens is set at ∞ (coupler lock).
9. Press AF/PF exchange button (1) in AF mode	<ol style="list-style-type: none"> 1. Reliability of switching for AF/PF exchange button 2. Reliability of AF operation (in $\overline{\text{AF}}$ mode) 3. Reliability of AF lock 4. Accuracy of display for in-focus/not in focus condition 5. Release of lock when focusing is impossible 6. Reliability of illumination light 	<p>A.</p> <p>A.</p> <p>A.</p> <p>A.</p> <p>A.</p> <p>A.</p>	<ol style="list-style-type: none"> 1. LCD display changes from $\overline{\text{AF}}$ (PF) to $\overline{\text{PF}}$ (AF) when AF/PF exchange button is pressed. 2. Lens moves in accordance with the detected distance of the subject in distance measuring frame and release is OK. 3. AF lock works when release button is pressed halfway. 4. Green lamp: in focus Red lamp: out of focus 5. In the event that focusing is impossible, the lens is set to ∞ and the release is locked. 6. LED (red) is turned on (for approx. 1 sec) when light level is low (below BV 8) 	$\overline{\text{AF}}$ on $\overline{\text{AP}}$ blinks

Procedures	Quality	Defect grade	Standards	Remarks
(2) in PF mode	<ol style="list-style-type: none"> 1. Reliability of PF operation 2. Reliability of PF shift operation 	<p>A.</p> <p>A.</p>	<ol style="list-style-type: none"> 1. Shutter is released immediately when release button is pressed (whether in focus or out of focus). 2. Lens shift operation is possible with shift knob (moves forward and back). 3. Lens moves back when shift knob is pushed to the left, and moves forward when knob is pushed to the right. 4. Shift operations consist of a slow movement and a rapid one. 	
10. Press X mode button (⇧F4)	<ol style="list-style-type: none"> 1. Reliability of X mode switching 	<p>A.</p>	<ol style="list-style-type: none"> 1.  F4 blinks on LCD and goes off when pressed again. 2. Shutter speed is automatically set to 100 when using A series lenses. 	
11. Press drive exchange button	<ol style="list-style-type: none"> 1. Reliability of drive switching 	<p>A.</p>	<ol style="list-style-type: none"> 1.  /  appears on the LCD. 2. When  is displayed, the shutter is released one when the release button is pressed. 3. When  is displayed, the shutter is released continuously while the release button is held. 	
12. Operate self-timer button	<ol style="list-style-type: none"> 1. Reliability of self-timer mode 2. Reliability of self-timer operation 3. Reliability of cancellation of self-timer mode 	<p>A.</p> <p>A.</p> <p>A.</p>	<ol style="list-style-type: none"> 1. When the self-timer button is pressed,  is displayed. 2. If the release button is pressed in this state, the self-timer will begin to operate. 3. If the release button is pressed in the self-timer mode, illumination (red LED) blinks for approx. 10 seconds and the shutter can then be released. 4. In the event that the subject cannot be brought into focus in the AF mode, the self-timer will not operate. 5. The self-timer mode can be cancelled if the self-timer button is pressed again or if the shutter is released in self-timer mode. 	
13. Press AE lock button	<ol style="list-style-type: none"> 1. Reliability of AE lock 	<p>A.</p>	<ol style="list-style-type: none"> 1. While the AE lock is pressed, the program display does not change even if the brightness of the subject changes. 	

Procedures	Quality	Defect grade	Standards	Remarks
14. Enter AF mode and operate shift	1. Reliability of program shift 2. Reliability of reset of program shift	A.	1. The program display in the view-finder changes. (time in seconds (in 1/3 steps) is shown in the upper position and F number (in 1/3 steps) is shown in the lower position.) 2. (PROGRAM) on LCD blinks. 3. Push the shift knob to the left, Time in seconds (upper) → low speed F number (lower) → increases When pushed to the right, the shift is reversed. 4. Reset by pressing the reset button or reset automatically in approx. 30 seconds.	In the PF mode, program shift is not available because function of shift knob changes to power focusing.
15. Press reset button	1. Reliability of reset of LCD display		1. If the reset button is pressed, the LCD display in any mode returns to the normal display mode. (However, the frame counter does not change.) The lens is reset to ∞.	*Normal display is: <div style="border: 1px solid black; padding: 5px; display: inline-block;"> PROGRAM  12 AF SINGLE </div> However, the  symbol disappears in approx. 30 seconds.

C

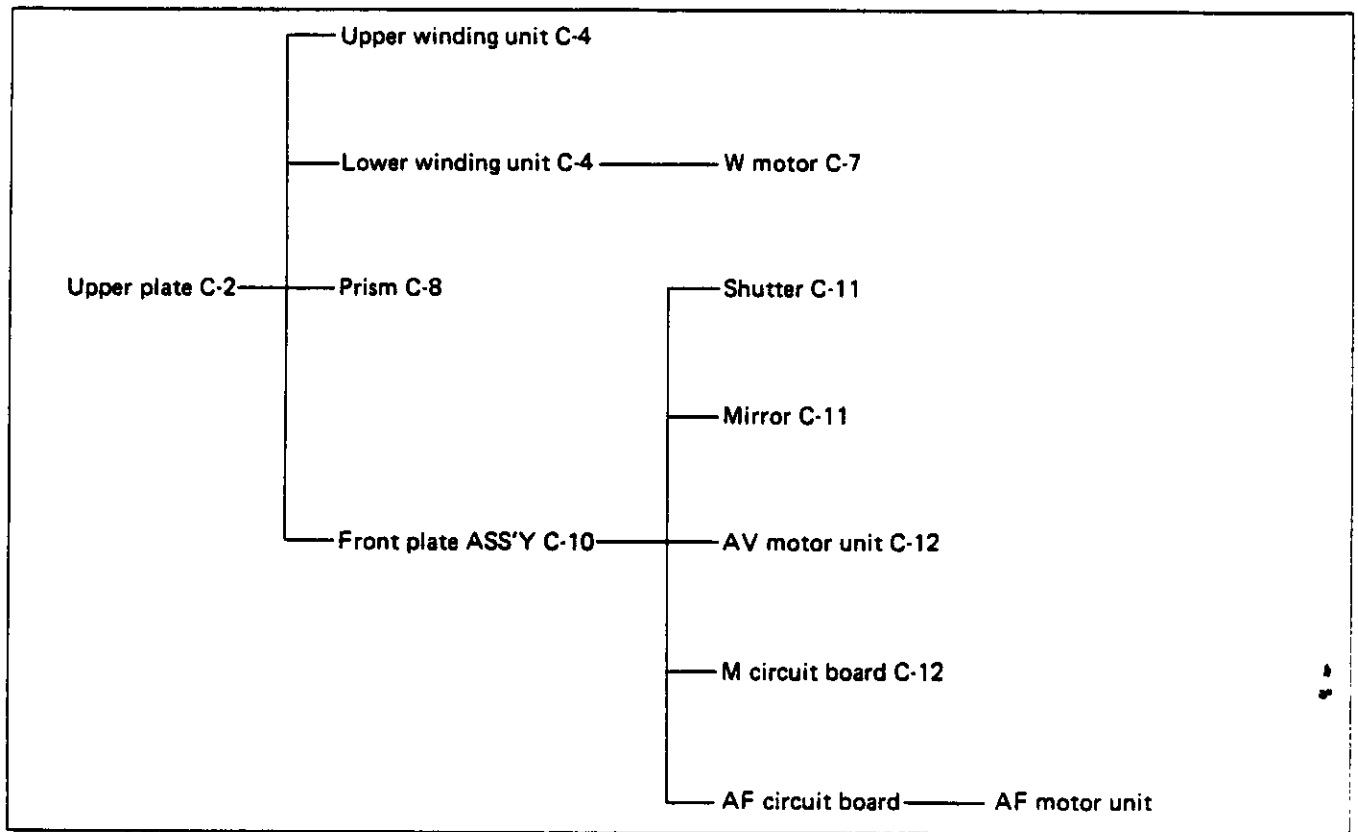
DISASSEMBLY PROCEDURES

C. DISASSEMBLY PROCEDURES

CONTENTS

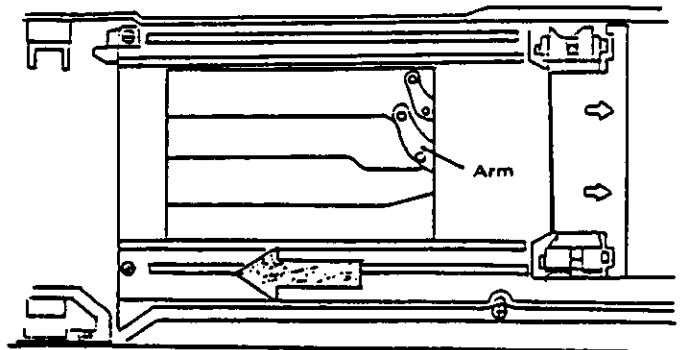
● Disassembly Chart	C-1
1. REMOVAL OF UPPER PLATE	C-2
2. UPPER WINDING UNIT	C-4
3. REMOVAL OF LOWER WINDING UNIT	C-6
1. Removal of W motor	C-7
4. REMOVAL OF PRISM	C-8
5. REMOVAL OF FRONT PLATE ASS'Y	C-10
1. Removal of shutter	C-11
2. Removal of M frame	C-11
3. Removal of AV motor unit	C-12
4. Removal of M circuit board	C-12
5. Removal of AF circuit board	C-13
6. Removal of AF motor unit	C-13

● Disassembly Chart

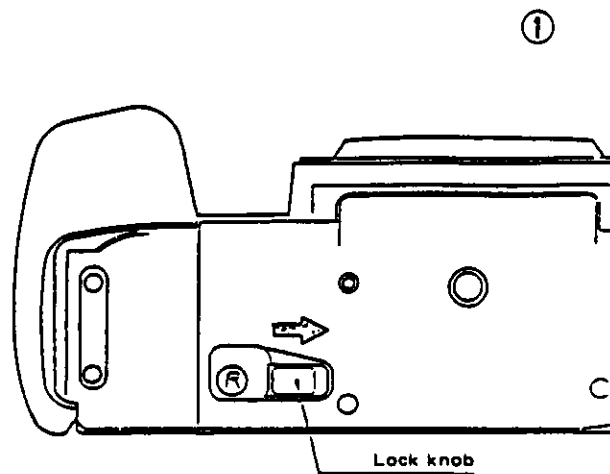


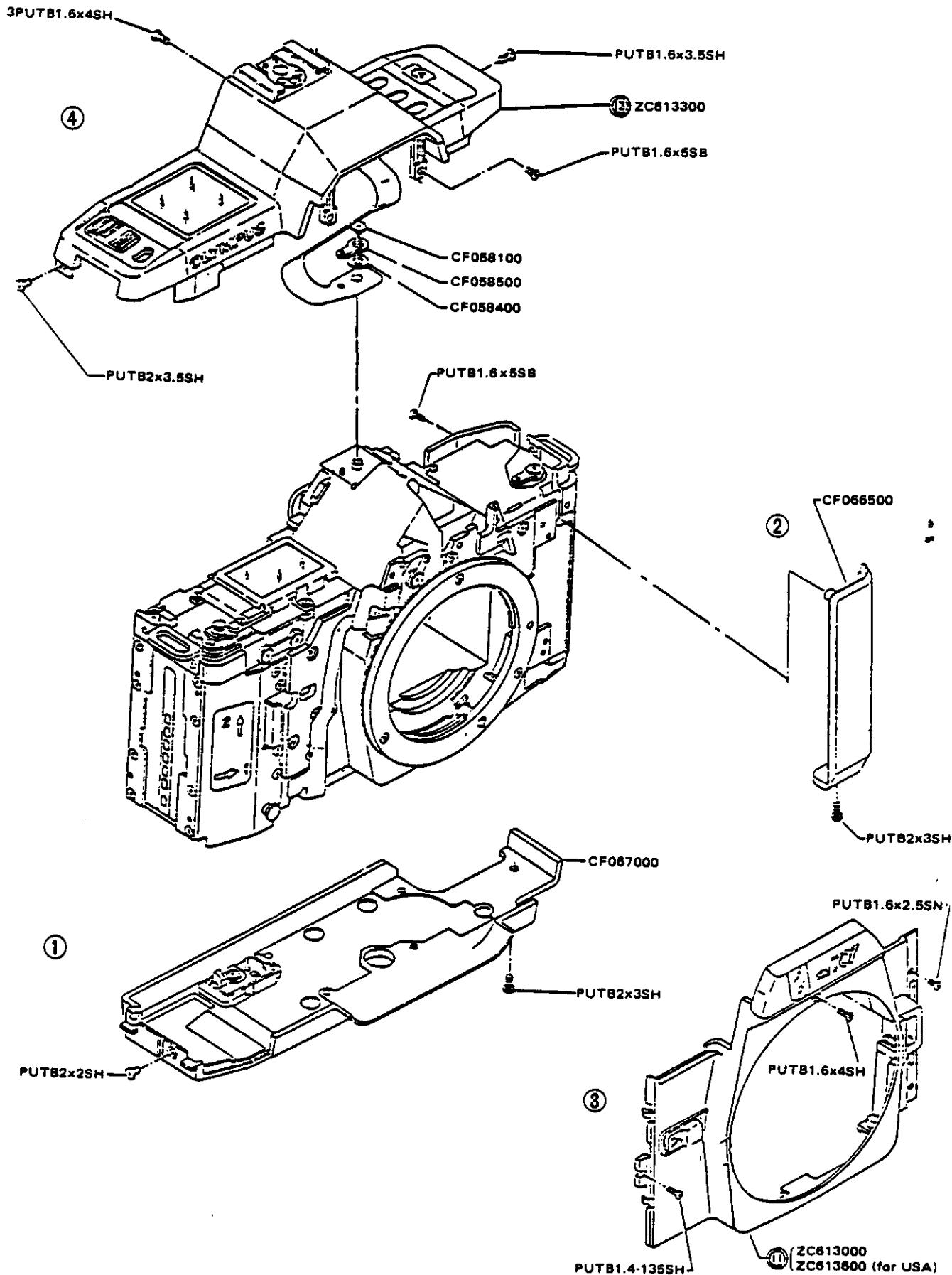
About exterior cleaning


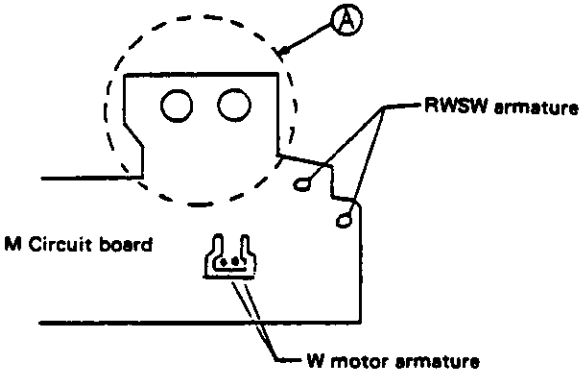
- Do not use cleaning fluids containing solvents. (may cause color to change or erase printed letters)
- Wipe with Chamois leather or Fronsolve AE. (wipe two or three times)
- To clean, use Fronsolve S3.
- Do not blow air directly on the shutter curtain.
- To remove dirt from the shutter curtain, coil the tweezers with finger-stall and wipe lightly in one direction only (from right to left).

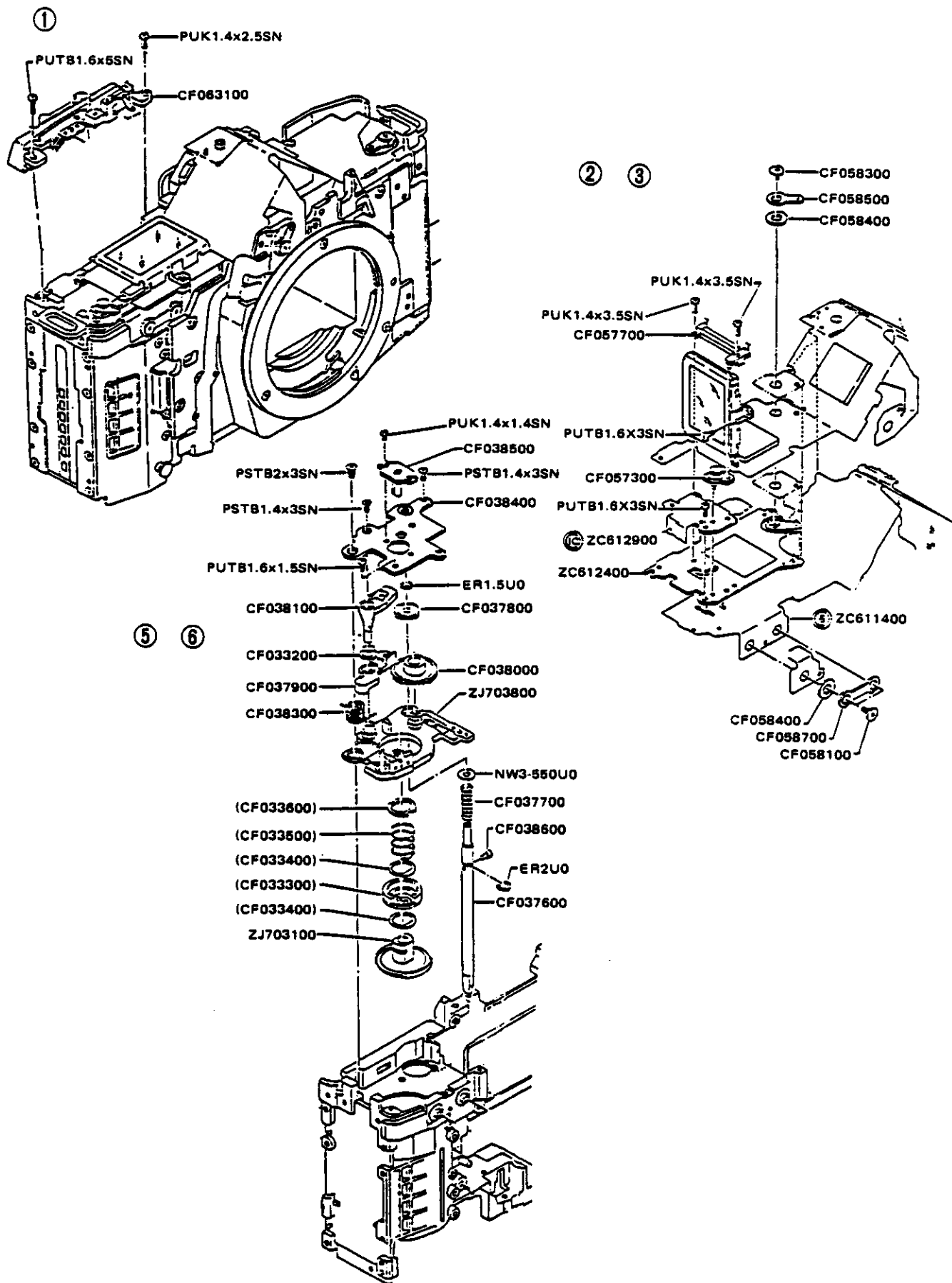


<u>Main parts</u>	<u>Parts to be removed</u>	<u>Q'ty</u>	<u>Removable parts</u>	<u>Remarks</u>
1. REMOVAL OF UPPER PLATE				
				(Refer to diagram)
1. Lower plate ↓ 2. L grip ↓ 3. Front cover ↓ 4. Upper plate	PUTB X 3SH	5	Lower plate CF0670	Slide lock knob and detach lower plate.
	PUTB X 2SH	1		
	PUTB1.6X5SB	1	L grip CF0665	
	PUTB2X3SH			
PUTB1.4-135SH	1	Front cover ZC6130		
PUTB1.6X2.5SN	2			
PUTB1.6X4SH	1			
PUTB1.6X3SN	2	Upper plate ZC6133		
PUTB1.6X3.5SH	1		CNW14 CF0585	
PUTB2X3.5SH	1	C rubber 14 CF0584		
3PUTB1.6X4SH	2			
C SCREW 14				
CF 0581				





<u>Main parts</u>	<u>Parts to be removed</u>	<u>Q'ty</u>	<u>Removable parts</u>	<u>Remarks</u>
2. UPPER WINDING UNIT				
1. Shift frame	PUK1.4X2.5SN PUTB1.6X5SN	1 1	Shift frame ass'y	(Refer to diagram)
2. Head holder	RBJ-A20 PUTB1.6X4SN PUK1.4X3.5SN	1 1 2	CF0577 Head holder CF0573 RES rubber	
3. Head plate	CF0583 FD Screw CF0581 C screw 14 CF0587 CNW 16 PUTB1.6X3SN	1 2 1 1	CF0585 CNW14 CF0584 C rubber 14 CF0584 C rubber 14(2) ZC6124 Head plate	
4. Unsolder M circuit board	W motor armature RWSW armature			Lift  section of M circuit board from body dowel and then desolder.
				
5. W1 base plate	PSTB1.4X3SN PUTB1.6X1.5SN PSTB2X3SN	2 1 2	CF0384 W1 base plate CF0379 Rear lever CF0380 6 gear CF0381 Hold lever collar CF0382 Hold lever CF0383 Rear lever spring	
6. W2 base plate	ER1.5UO	1	ZJ7038 W2 base plate CF0378 52 gear	



Main parts

Parts to be removed

Q'ty

Removable parts

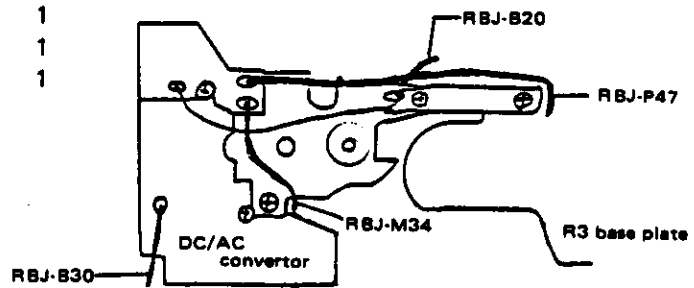
Remarks

3. REMOVAL OF LOWER WINDING UNIT

1. Lead wire

RBJ-B20
RBJ-P47
RBJ-M34
RBJ-B30

1
1
1
1



2. R3 base plate

PUTB2X3SN

3

ZC6199 R3 base plate

3. DC circuit board

PUTB1.4X3.5SN

2

CE5760 L insulation

4. R button

CF0563 R button

CF0562 R spring
CF0555 Claw
CF0554 Sprocket gear
NW 3-550U0

R button is a left-handed screw

5. W motor armature
(refer to No. C-4)

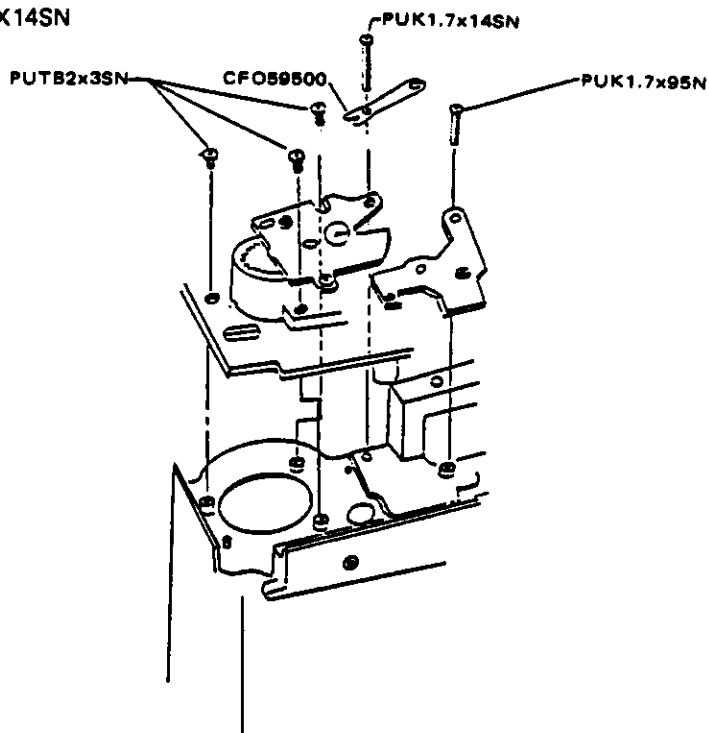
Desolder from upper M circuit board

6. Lower winding unit

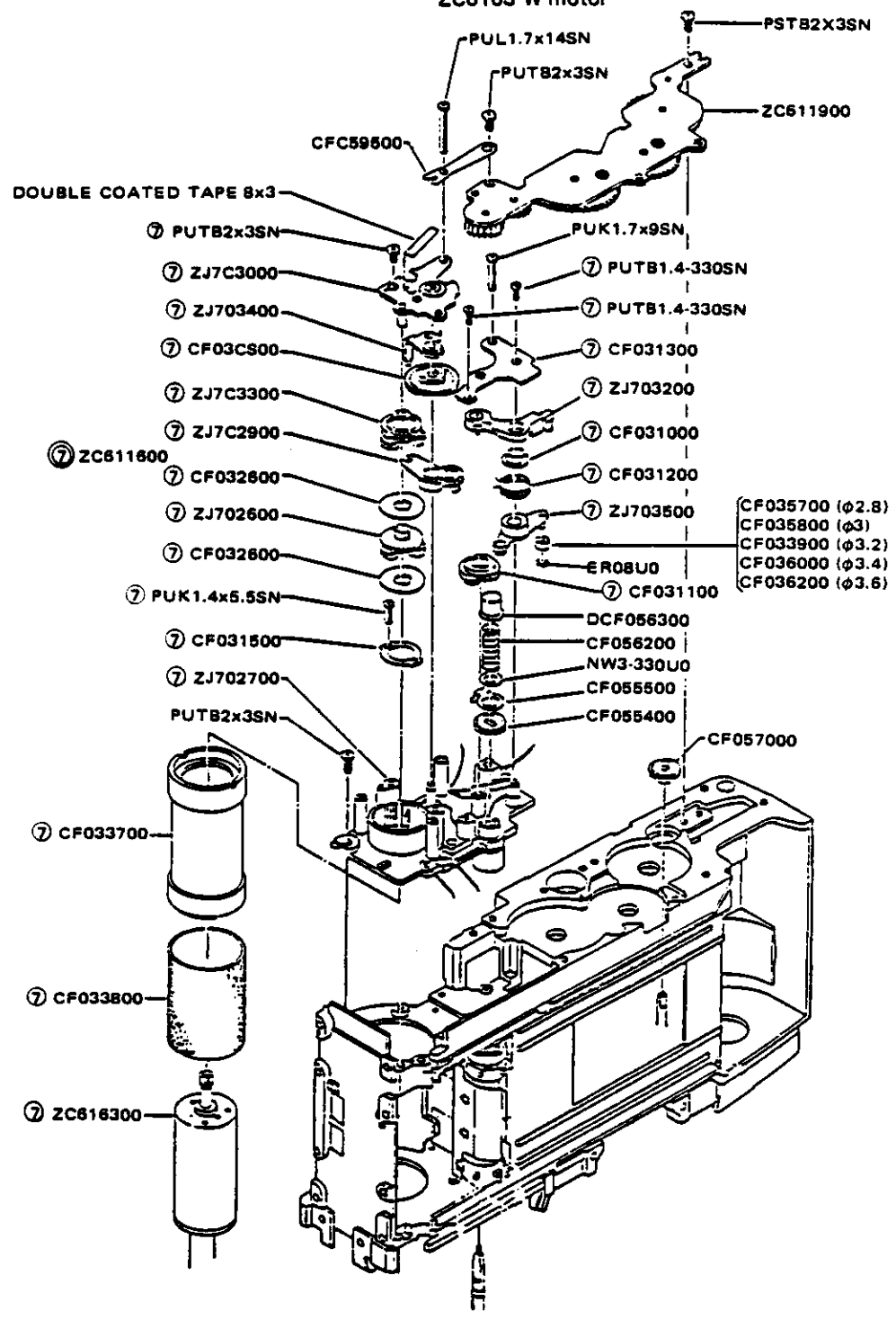
PUTB2X3SN
PUK1.7X9SN
PUK1.7X14SN

3
1

ZC6116 lower winding unit



<u>Main parts</u>	<u>Parts to be removed</u>	<u>Q'ty</u>	<u>Removable parts</u>	<u>Remarks</u>
1. Removal of W motor				
7. W4 base plate	PUTB2X3SN	2	ZJ7030 W4 base plate ZJ7028 PL1 ZJ7029 PL2 CF0326 PL washer (2)	
↓				
8. W motor	PUK1.4X5.5SN	2	CF0315 W3 washer ZC6163 W motor	

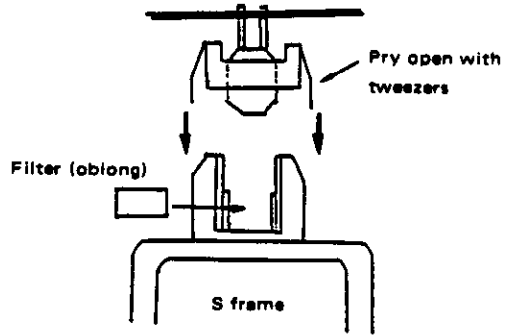


<u>Main parts</u>	<u>Parts to be removed</u>	<u>Q'ty</u>	<u>Removable parts</u>	<u>Remarks</u>
-------------------	----------------------------	-------------	------------------------	----------------

4. REMOVAL OF PRISM

1. Desolder W motor armature and RWSW armature and then remove M circuit board on the upper right.
(refer to No. C-4)

(Refer to diagram)



2. SBC Receiver	CF0193SBC receiver	1	CF0242 Filter CF0192 P lens
-----------------	--------------------	---	--------------------------------

3. Illuminator	PUKB1.6X3SN	1	ZC6128 Illuminator
----------------	-------------	---	--------------------

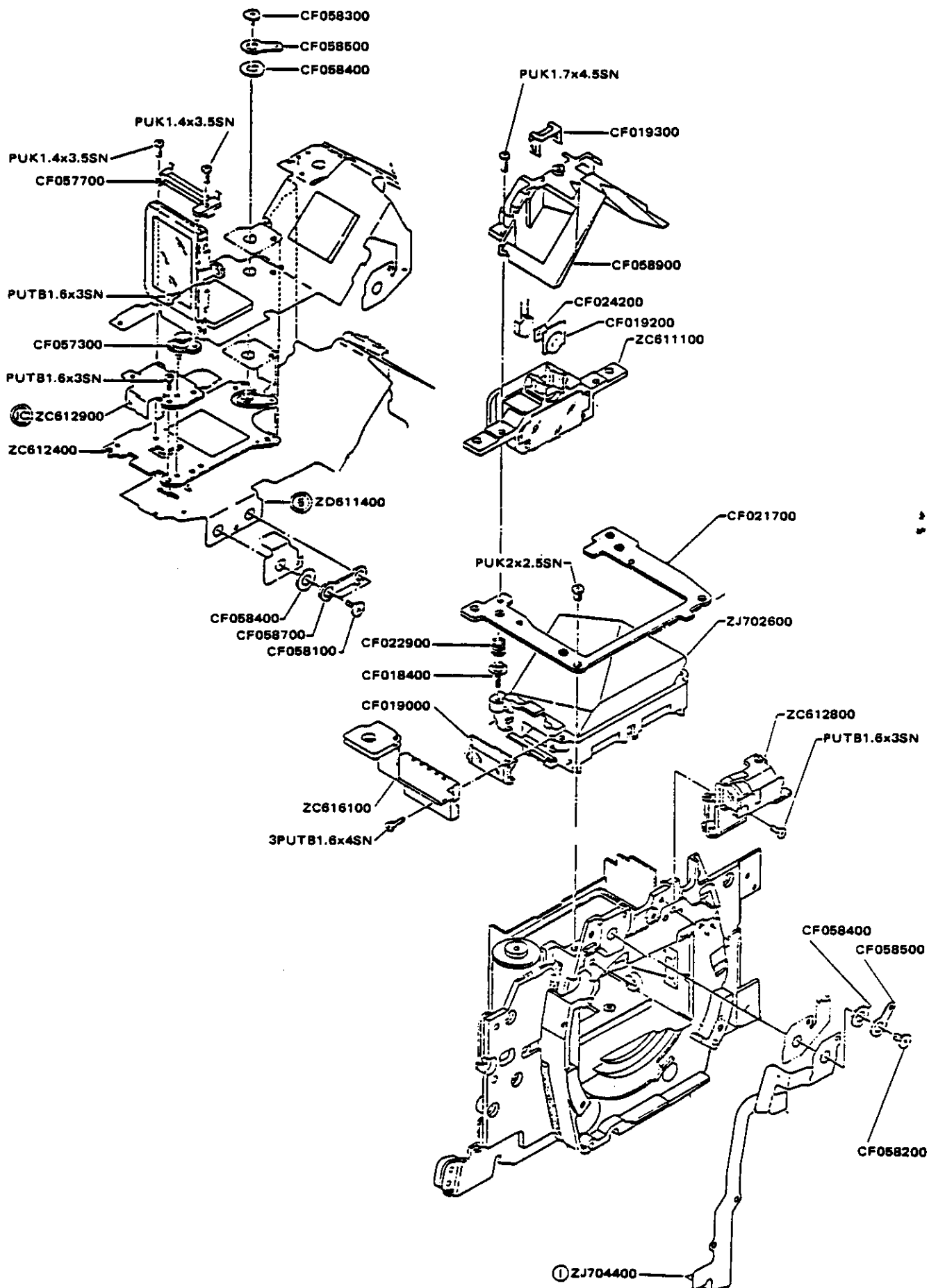
Convex part of P lens is on the prism side

4. M circuit board connector (upper side of B mount)	CF0582C screw 16	1	CF0585 CNW14 CF0584 C rubber 14
---	------------------	---	------------------------------------

5. FPC base	PUK1.7X4.5SN	2	CF0589 FPC base
S frame	PUK2X4SN	2	ZC6111 S Frame

6. Prism	PUK2X2.5SN	2	CF0217 Arm CF0229 Focus spring (4) ZJ7026 Prism
----------	------------	---	---

7. FD circuit board	3PUTB1.6X4SN	2	ZJ6161 FD circuit board CF0190 F prism
---------------------	--------------	---	---



Main parts

Parts to be removed

Q'ty

Removable parts

Remarks

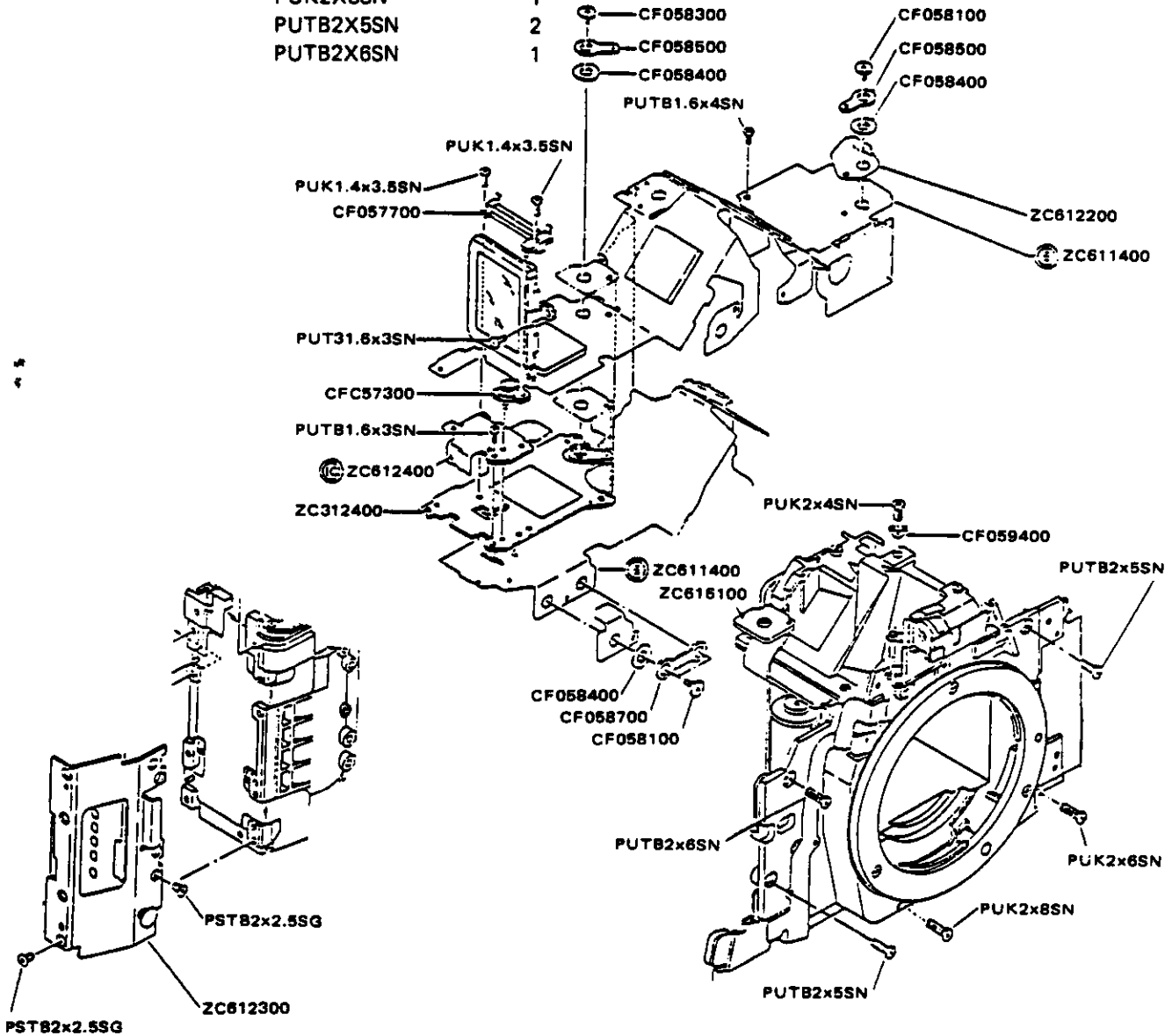
5. REMOVAL OF FRONT PLATE ASS'Y

1. Desolder W motor armature and RWS armature and then remove M circuit board on the upper right.
(refer to No. C-4)

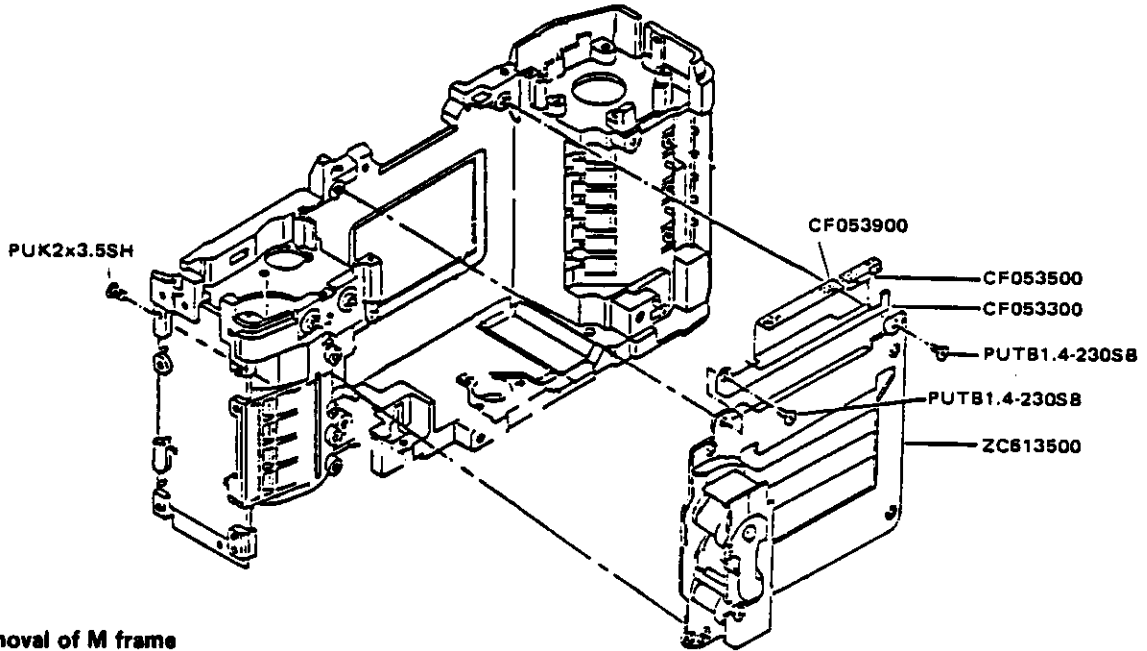
2.	CF0581C Screw 14 CF0584C Rubber 14	1 1	CF0584 C rubber 14 CF0585 CNW 14	Loosen the screw which holds the M circuit board on the upper left. Lift up M circuit board from connector dowel and convex part for positioning.
	PUTB1.6X4SN	1		

3.	G plate 1	PSTB2X2.5SG	8	ZC6123 G plate 1
----	-----------	-------------	---	------------------

4.	Front plate ass'y	PUK2X4SN PUK2X6SN PUK2X8SN PUTB2X5SN PUTB2X6SN	2 1 1 2 1	Front plate group
----	-------------------	--	-----------------------	-------------------



<u>Main parts</u>	<u>Parts to be removed</u>	<u>Q'ty</u>	<u>Removable parts</u>	<u>Remarks</u>
1. Removal of shutter Shutter	PUTB1.4-230SB	2	ZC6135 Shutter	
	PUK2X3.5SH	1	CF0533 L. proof 1	



2. Removal of M frame

1. Shaft cover

PUK1.4X2.2SB

1

ZC5190 Shaft cover
CF0211 MD spring

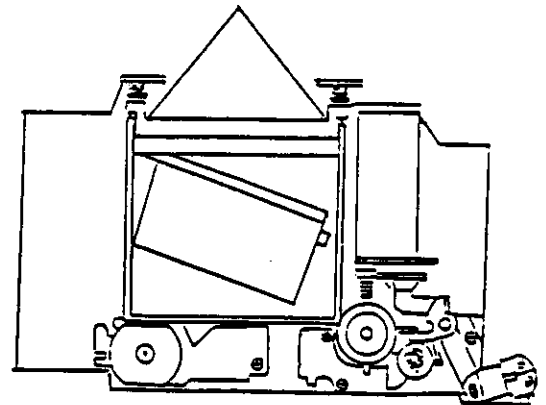
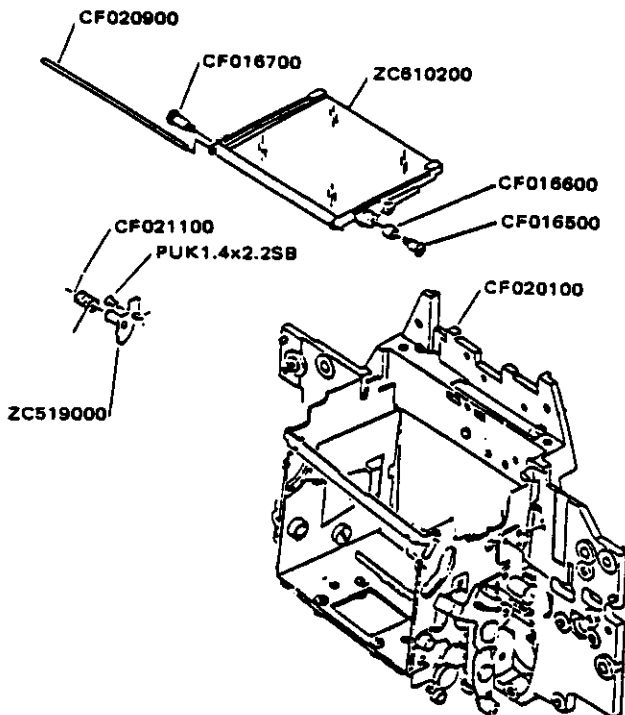
2. M frame

CF0167 M spring hook
CF0165 M Up shaft
CF0209 M shaft

1
1
1

CF0166 M Up Collar
ZC6102 M frame

Remove M frame from the back side.
Push M frame to the left and incline the right side downward.
Remove the convex part on the right of M frame from the M base plate.



Main parts

Parts to be removed

Q'ty

Removable parts

Remarks

3. Removal of AV motor unit

A base plate ass'y

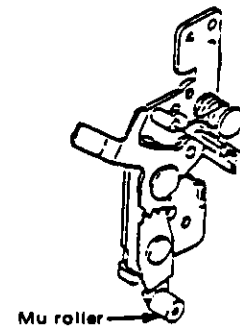
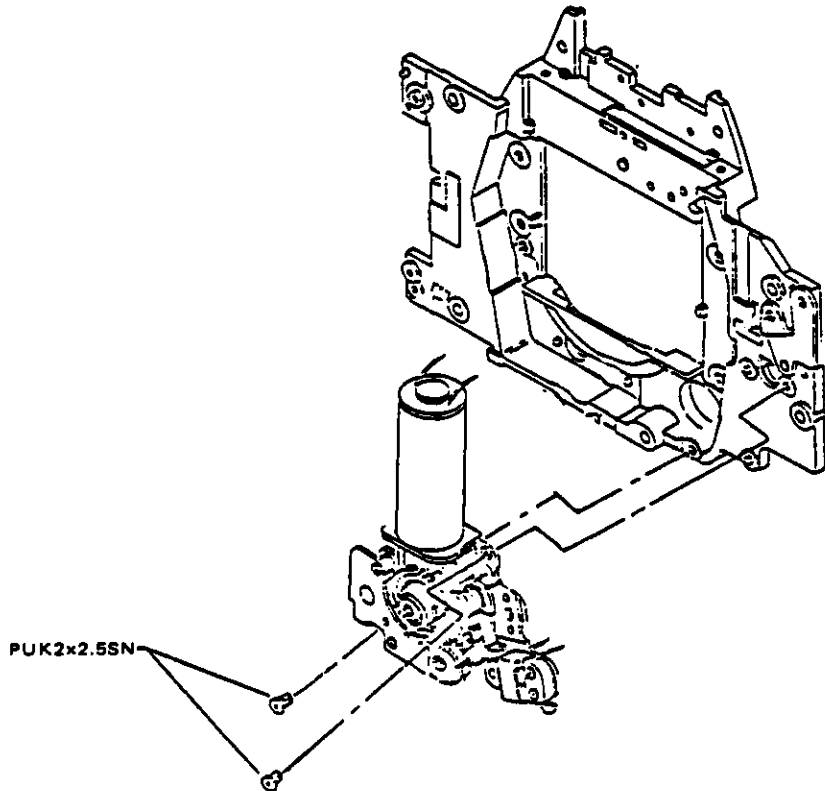
PUK2X2.5SN

2

ZC6103 A base plate ass'y

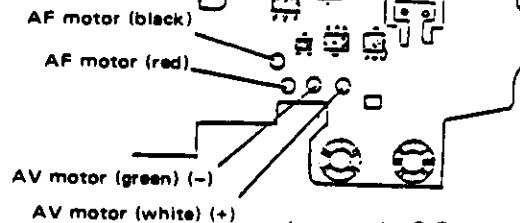
To remove the A base from the front plate, use a finger to lift the Mu roller on the R base plate and then detach.

Since the FPC is attached to the front side of the front casting, remove it (or unsolder P.1) and remove the unit.



4. Removal of M circuit board

1. Desolder the AV motor and AF motor wires.



2. M circuit board

PUK1.4X1.5SN

1

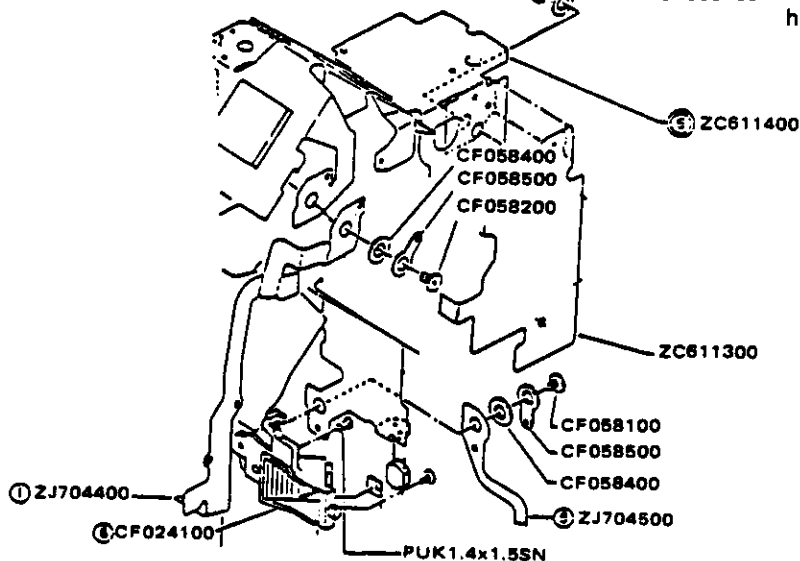
CF0581 C screw 14

1

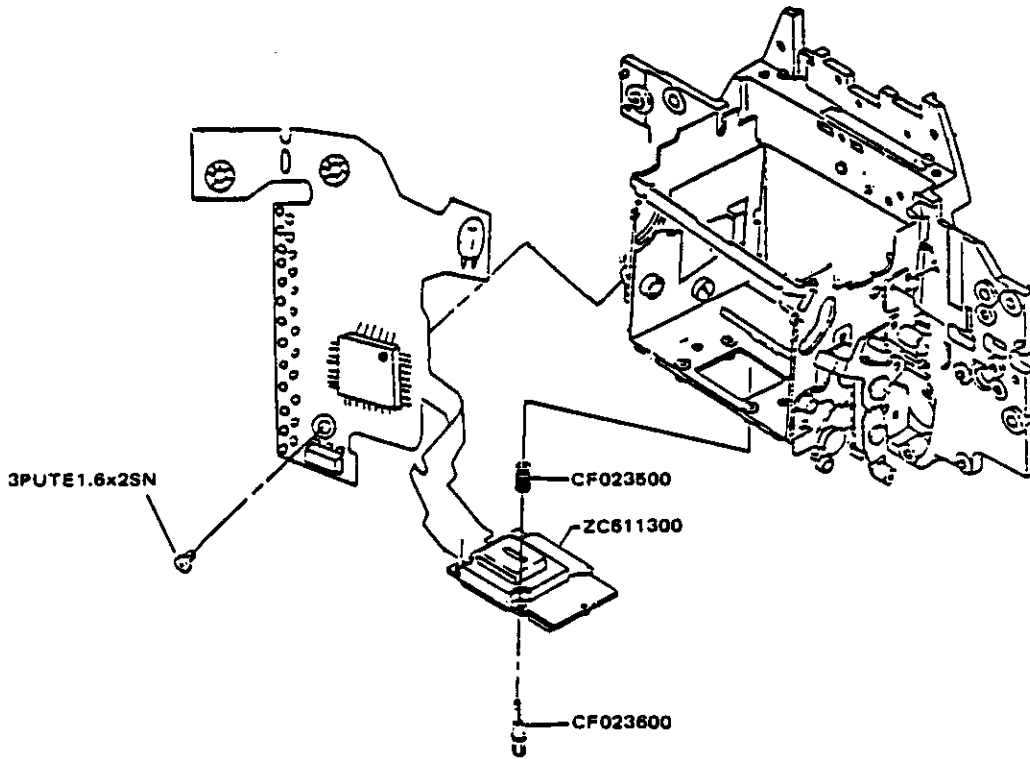
CF0582 C screw 16

2

Loosen the 3 C screws of the connector section as shown in the diagram and the screws holding SBC cover.



<u>Main parts</u>	<u>Parts to be removed</u>	<u>Q'ty</u>	<u>Removable parts</u>	<u>Remarks</u>
5. Removal of AF circuit board				
F circuit board	CF0236 Sensor screw	3	CF0235 Sensor screw 3	
	3PUTB1.6X2SN	1	ZC6113 F circuit board	

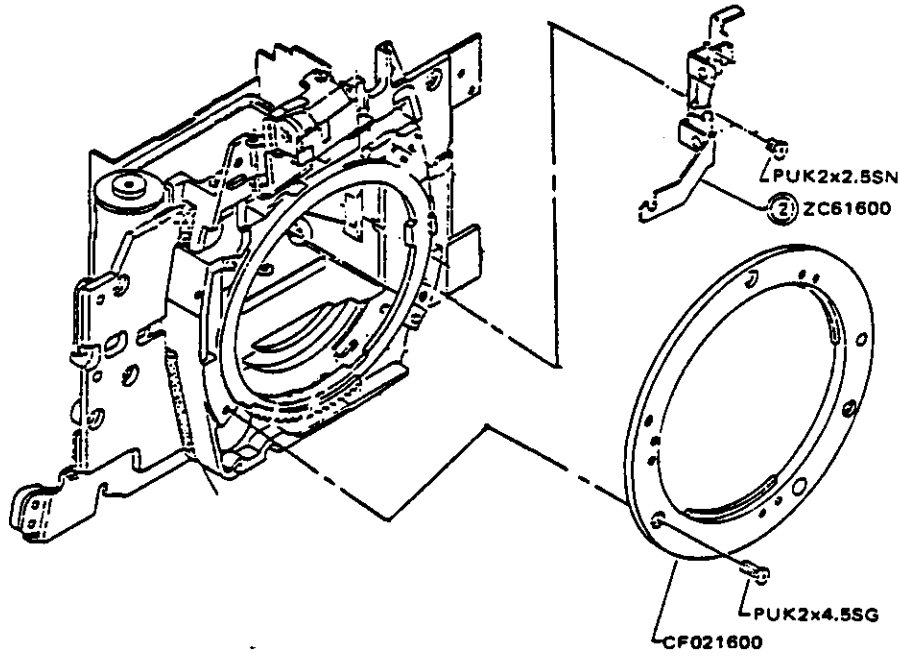


6. Removal of AF motor unit

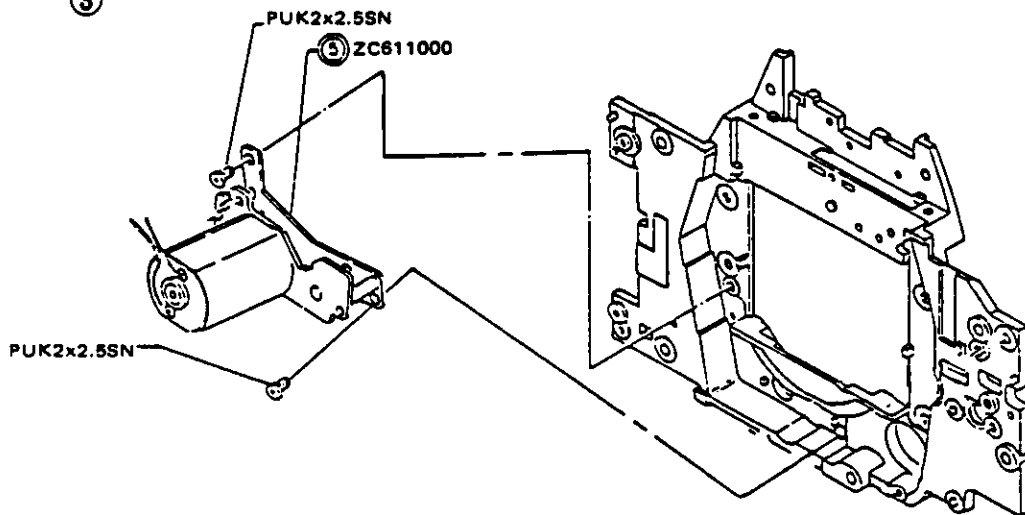
(Refer to diagram on the following page)

1. B Mount F	PUK2X4.5SG	3	CF0216 B Mount F
↓			
2. LC Base	PUK2X2.5SN	1	ZC6106 LC Base
↓			
3. F Base plate (AF motor unit)	PUK2X2.5SN	2	ZC6110 F Base plate

① ②



③



D

REASSEMBLY AND ADJUSTMENT PROCEDURES

;

D. REASSEMBLY AND ADJUSTMENT PROCEDURES

CONTENTS

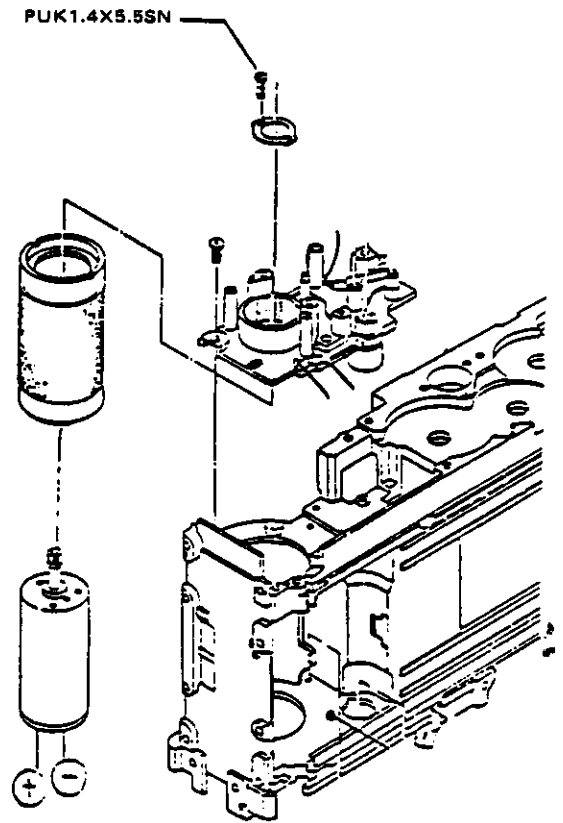
1.	MECHANISM	D-1
1.	Reassembly of Lower Winding Unit (ZC611600)	D-1
2.	Reassembly of Upper Winding Unit	D-4
3.	Reassembly of A Base Plate Unit	D-4
4.	Attachment of Base Plate 2 ZJ7040	D-5
5.	Coupling	D-7
2.	EFFICIENCY ADJUSTMENT	D-8
1.	Adjustment Viewfinder Focusing	D-8
2.	Viewfinder Information and EE Adjustment	D-9
2-1.	Auto-Adjustment	D-9
2-2.	Manual Adjustment	D-10
3.	Adjustment Shutter Ass'y	D-12
4.	X Synchronization Time Lag	D-12
5.	AF Adjustment	D-13
5-1.	Adjustment procedure	D-13
5-2.	Pitch Adjustment	D-14
5-3.	Yaw Adjustment	D-14
5-4.	XP Adjustment	D-15
5-5.	Z Adjustment	D-15

1. MECHANISM

1. Reassembly of Lower Winding Unit (ZC611600)

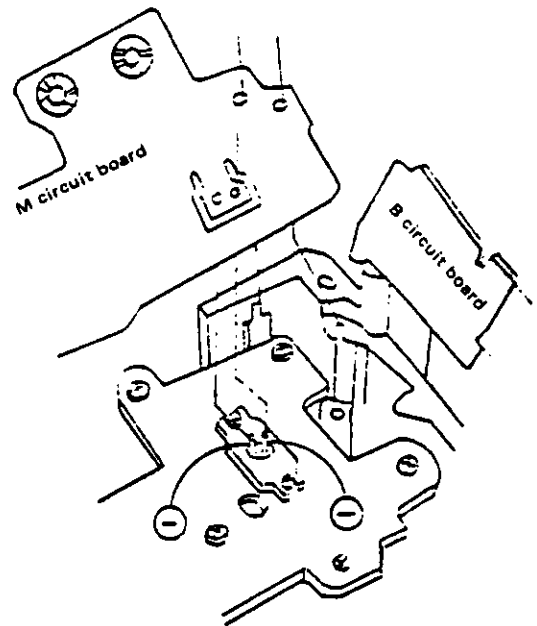
◇ Installation of W motor

Place the motor such that the red wire \oplus is near the grip and the stripped wire \ominus is near the lens. Install the motor in the W3 base plate with two PUK1.4X5.5SN screws.



◇ Solder the W motor wires

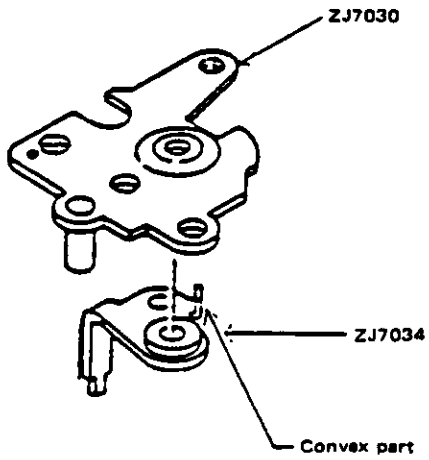
Solder the red wire \oplus to the outside and the \ominus wire to the prism-side of the M circuit board.



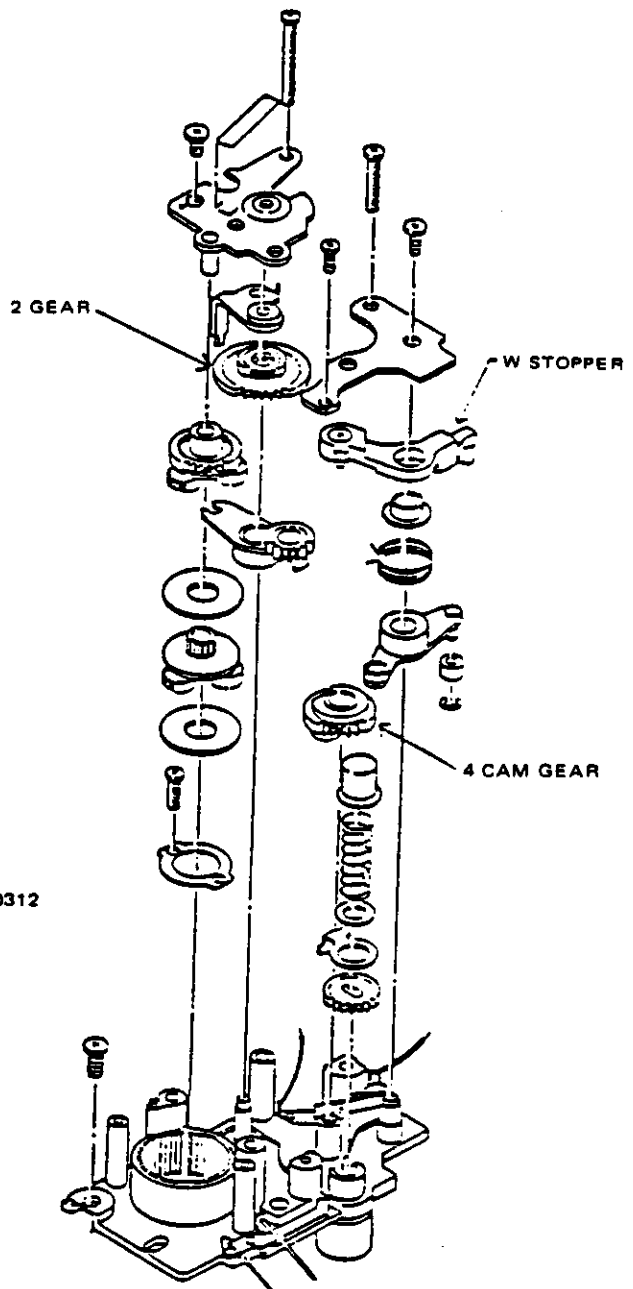
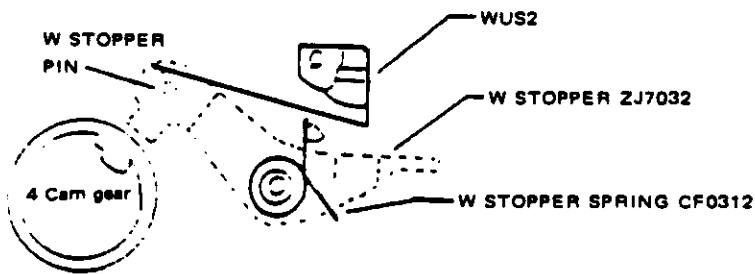
- ◇ Position the CF0308 2 gear as shown in the diagram.



- ◇ Insert the convex part of the R3 arm ZJ7034 into the concave part of the W4 base plate ZJ7030. (refer to diagram A)

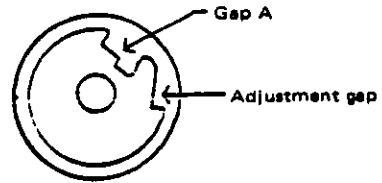


- ◇ Engage the W stopper spring CF0312
The W Stopper pin must be closer than the WUSW 2 is to the 4 cam gear CF0311.



◇ Timing adjustment of WUSW

- Connect the tester to the WUSW.
- Insert W stopper ZJ7032 into the adjustment gap of the 4 cam gear CF0311.
- Rotate the W stopper pin and adjust the position to where the WUSW just changes from ON to OFF.
- Make sure that the WUSW turns ON gap A in the 4 cam gear.



4 CAM GEAR

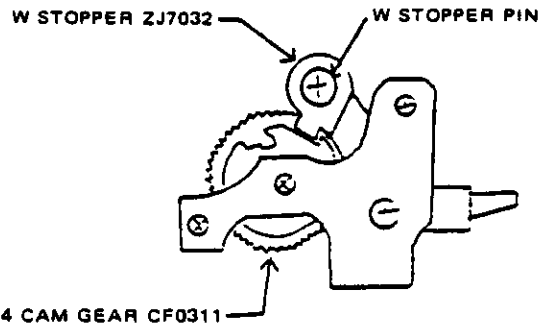
◇ W motor operating current

The W motor should draw the following current when the motor is actuated at $4 \pm 0.1V$:

Rotation < 120 mA

Reverse < 100 mA

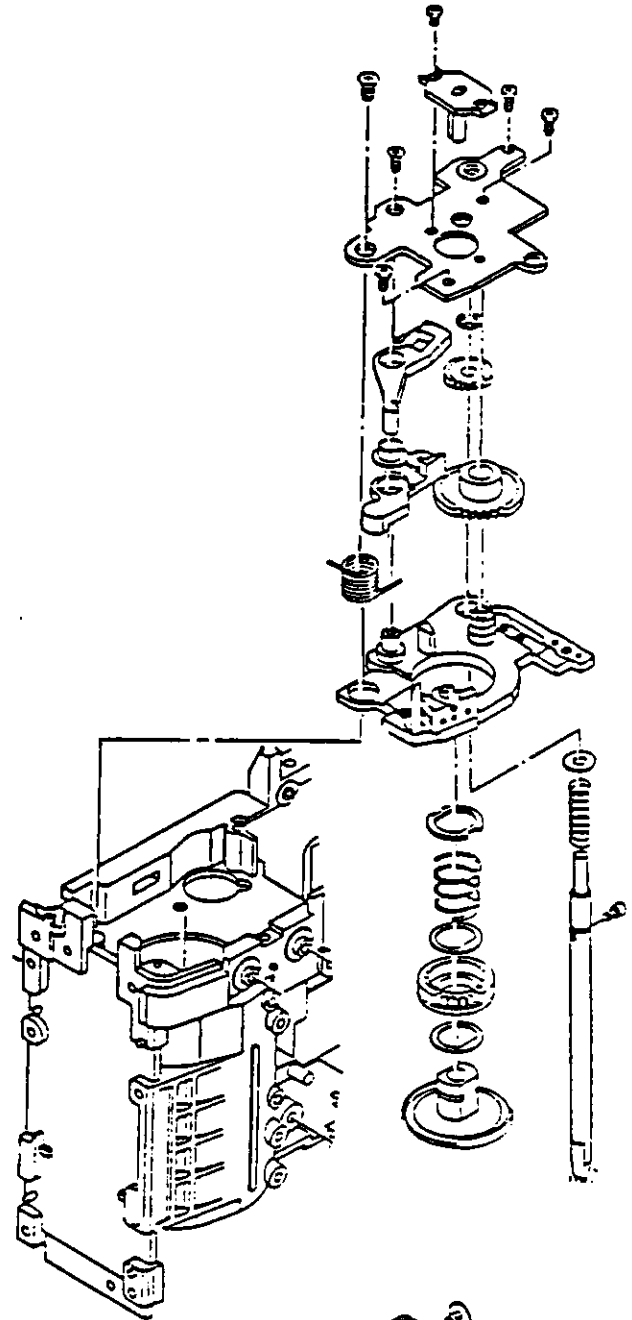
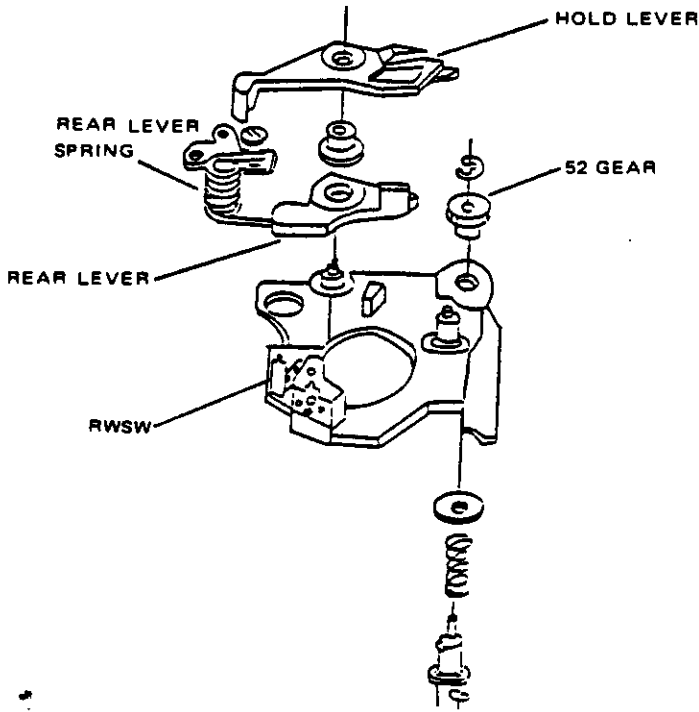
(Set the W stopper free when the motor rotates.)



2. Reassembly of Upper Winding Unit

- ◇ Reassembly of holding lever CF0381, rear lever CF0379 and rear lever spring.

Close the rear cover and press the R button. When the 52 gear CF0378 is raised, the hold lever should be inserted and pressed firmly by the contact pressure of RSW.
(RWSW turns ON)



3. Reassembly of A Base Plate Unit

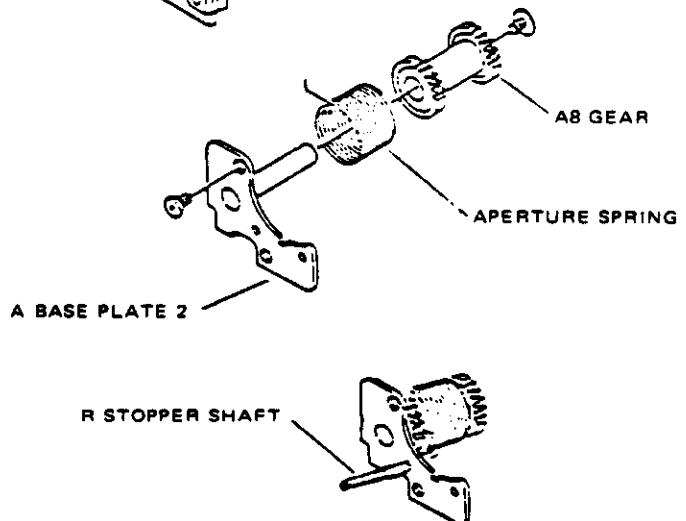
- ◇ Setting torque of aperture spring of A base plate 2 ZJ7040.

Rotate A8 gear CF0027 4 times from the state where the aperture spring torque is 0.

(The procedure for checking the torque is described in No. D-7)

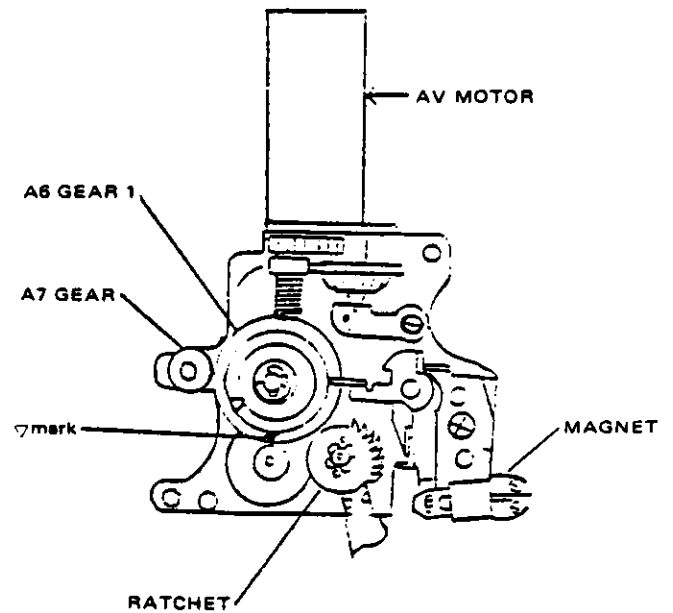
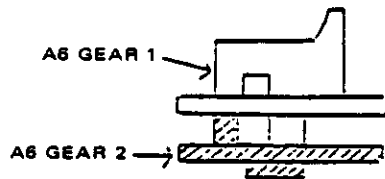
After setting the torque, stop A8 gear CF0027 by inserting the R stopper shaft.

(The R stopper shaft is approx. 1φ in diameter similar to the guide shaft B.C.F0509 or XZ-3.4F shaft CE7637.)

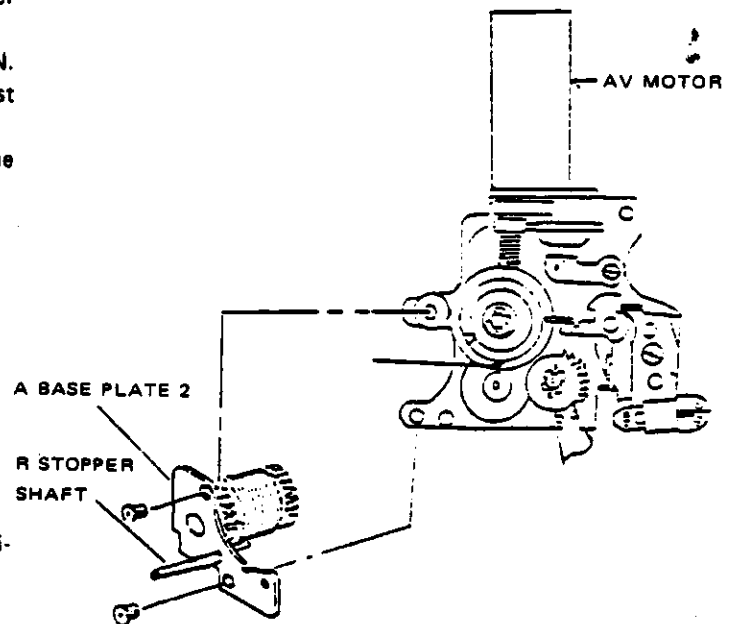
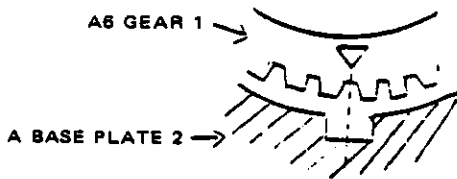


4. Attachment of A Base Plate 2 ZJ7040

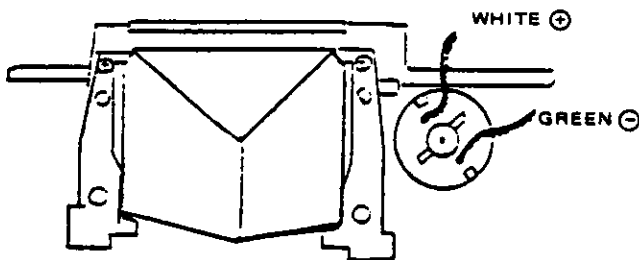
- Release the ST lever from the ratchet.
- Position the mark (▽) on the A6 gear 1ZC6153 so as to face downward.
- Rotate the A7 gear clockwise until it catches a Pawl and stops.
- This operation removes any backlash in the A6 gear 2 CF0025 and the A6 gear 1 is positioned as shown below.



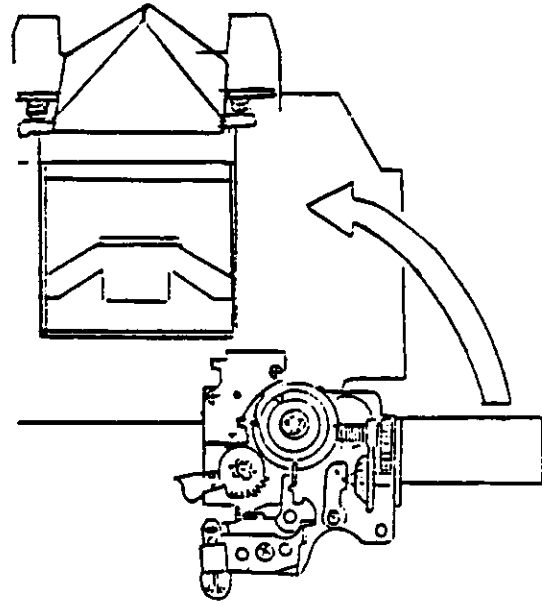
- After releasing the magnet, engage the ST lever with a ratchet.
- Secure the A base plate with two PUK1.4-606SN. The extension line of the ▽ mark on A gear 1 must fall within the groove on A base plate 2.
- After reassembly, remove the ST lever from the ratchet.



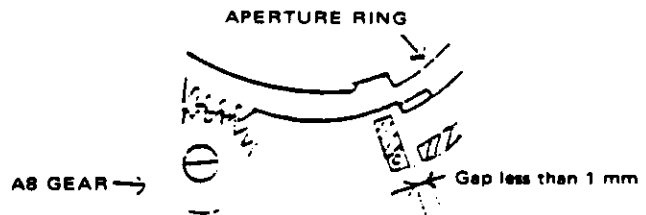
- ◎ Install the AV motor so that the ⊕ lead is positioned near the lens. (front plate side)



- Attaching A base plate unit to the front plate. While holding down the mirror, stand A base plate on its end and then insert the A8 gear into the hole on the front plate.
- Rotate the A base plate unit to the left 90 degrees and insert the cam of A6 gear 1 under MU roller.
- Insert the dowel on the front plate into the dowel hole in the A base plate and secure using two PUK2X2.5SN.

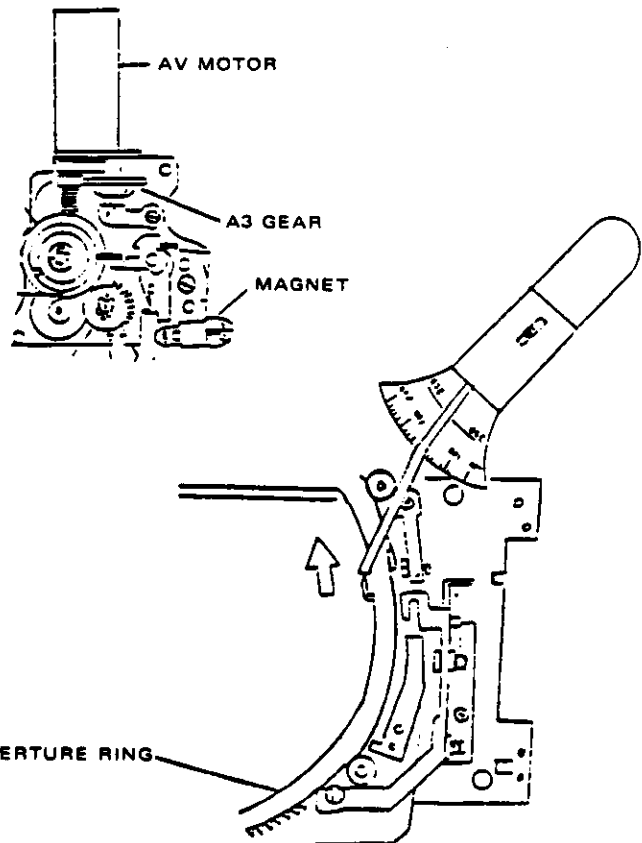


- Engagement of the A8 gear CF0027 and aperture ring ZC6104 is shown in the diagram.



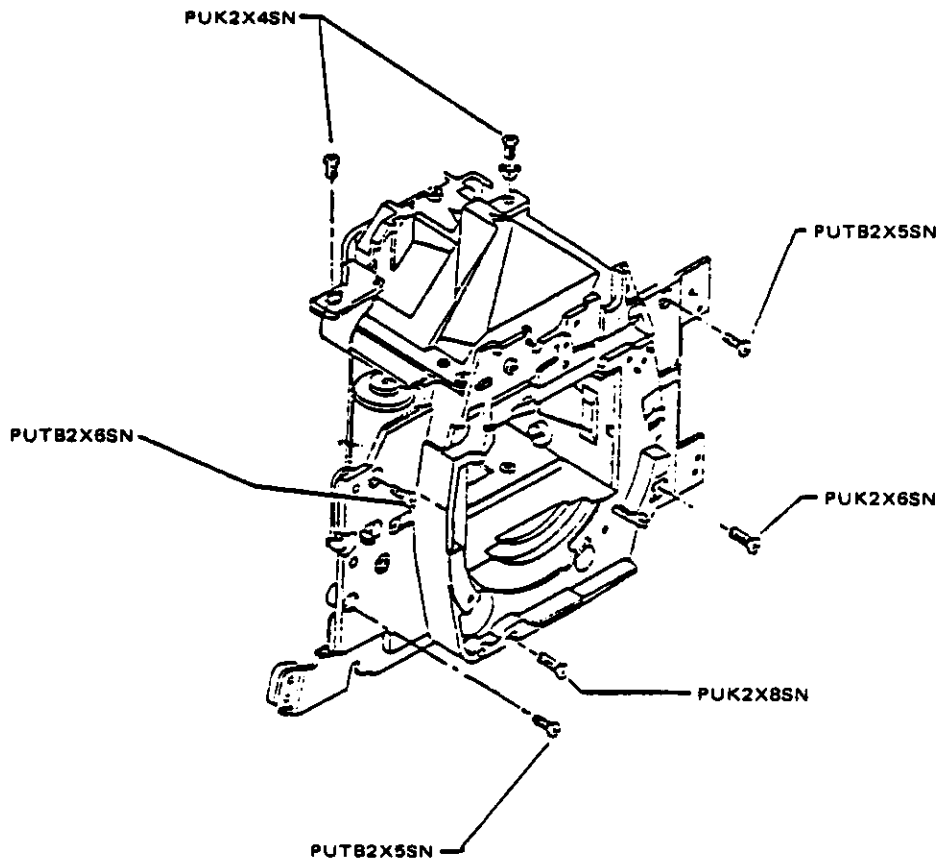
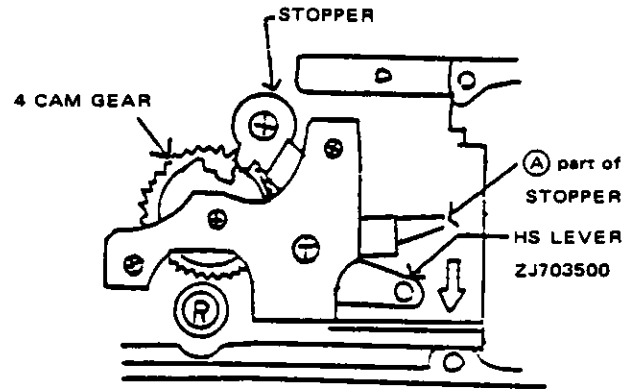
◇ Torque check of aperture ring

- Use a finger to rotate the A3 gear (CF0019) and raise the mirror upward.
- Reverse aperture ring from the smallest lens opening position.
- Using a tension gauge (200g), measure the follow tension of rotating to the smallest lens opening position. It should be between 95 ~ 110g.
- If not, change the number of rotation (4 times) of aperture spring.



5. Coupling

- Front plate ass'y: Rotate the A3 gear and raise the mirror.
- Main body: Place W stopper just in front of the big gap in the 4 cam gear. HS lever must be pushed to the cam of the 4 cam gear.
- (position the (A) part of the W stopper and the HS lever close to the rail surface)
- Tighten the 7 screws as indicated in the diagram. Take care to use the correct screws.



2. EFFICIENCY ADJUSTMENT

1. Adjustment of Viewfinder Focusing

1. Correction of partial-out-of-focus condition.

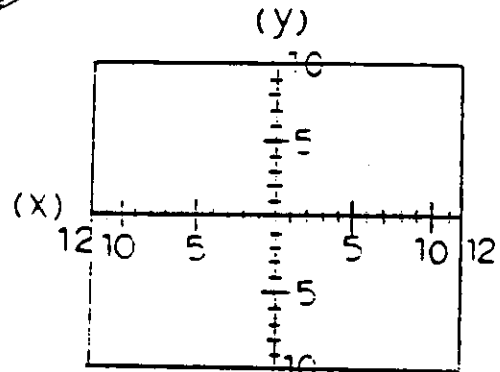
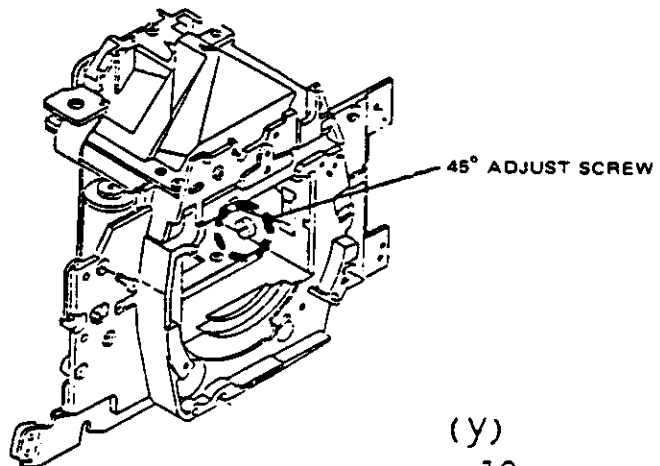
Detach the screen and set the jig mirror KC0166 in position.

Re-attach and adjust the front plate to correct for the partial-out-of-focus condition.

◇ Correction in the Y direction

Move the 45° adjust screw slightly and adjust the standard to $0 \pm 10'$

◇ Adjust the standard in the X direction to $0 \pm 12'$ (The standard is set in each part, so there is no way to adjust.)



2. Positional adjustment of Fresnel lens (adjustment of F focal point)

Detach the screen and set the jig mirror KC0166 in position

◇ Attach the camera to a photo-electric collimator and read the peak value of the pointer. The reading should be 46.00 ± 0.02 mm (when using the jig mirror)

◇ Adjustment of the focal point

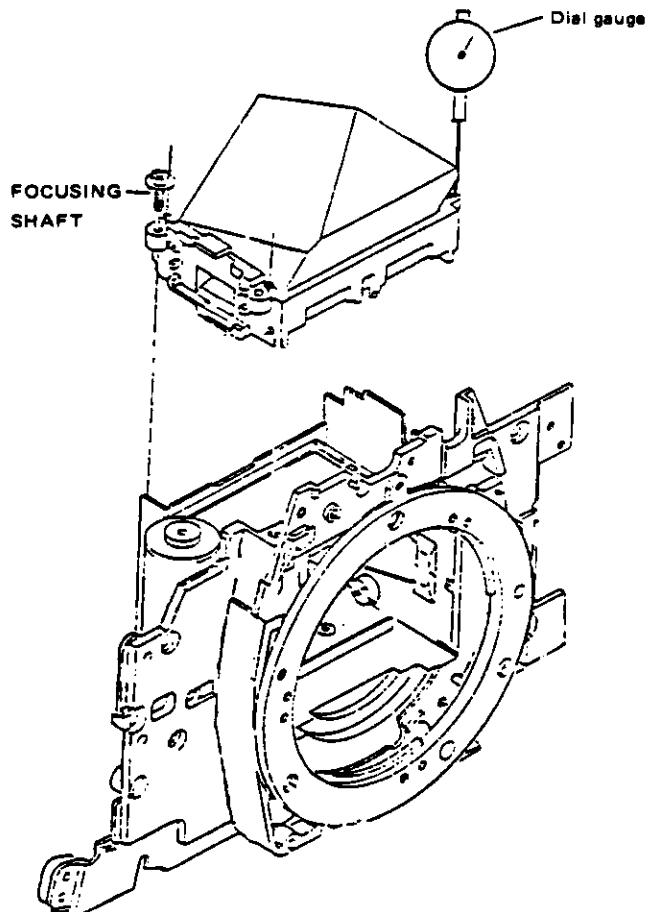
Measure the upper frame of the prism unit ZJ7026 with a dial gauge (attached to the collimator)

Check 4 points

If aberration value is minus, turn the focusing shaft CF0184 while reading the dial gauge and raise the 4 points so that they are in balance.

In the event that the aberration is positive, lower the 4 points (move the prism frame in a parallel fashion).

After adjusting, recheck the adjustment.



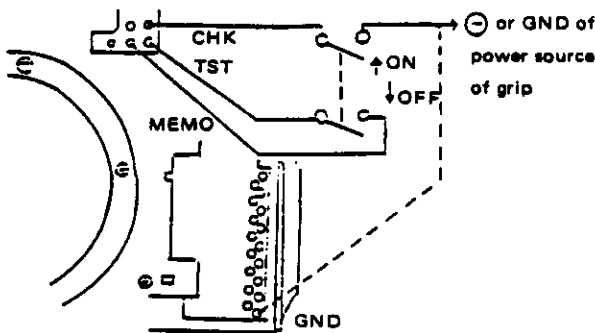
2. Viewfinder Information and EE Adjustment (when adjusting EE, use a vertically-moving EE mask)

2-1. Auto-adjustment

Prerequisite

- System checker T-2, EE tester set to the BV11 range, F5.6 jig lens
- Detach front cover ZC6130 and set the double-function switch as shown in the diagram. CHK ↔ GND TST ↔ MEMO turns ON/OFF at the same time.
- Since the front cover is detached, cover the camera with a piece of black cloth to prevent the camera from being effected by light.
* The double-function switch must be the camera.

Connect the camera's GND to the - terminal of the power grip or to the lower right terminal of the AF circuit board.



1. Mount the F5.6 jig lens to the camera, and connect the system to EE tester.
Set the EE tester to BV11 and ISO100.
Set the shoe terminal of T-2 to "accessory shoe".
2. Set the power of the DC stabilizer to 6.2V and connect it to the grip jig. Turn on the power of camera. If EP is shown on the LCD, turn off the power to the camera and turn it on again while the double-function switch is left ON.
3. Turn on the double-function switch.
Operate T-2. (for details, refer to T-2 manual).

	Operation	Display	Remarks
1	Turn on the E button of the main mode (ET ON)	BV/BC AUT AJD	
2	Turn on the AUTO (RS232C) Switch	EV CHECK EE AUTO DX *	After the auto-adjustment of the display level, enters EE auto-adjustment mode
3	Release shutter several times	EE AUTO DX *	After several release, EE of ISO100 changes to ±0.125EV

When the EE adjustment is carried out (ISO100), other ISO's are automatically adjusted compared to the standardized ISO100.

Refer to the T-2 manual for information about EE adjustment of each ISO or specific ISO.

Reassembling and adjusting standards

BV4	$0^{+0.2}_{-0.5}$ EV
BV7	0 ± 0.3 EV
BV11	0 ± 0.2 EV
BV12	0 ± 0.5 EV

F5.6 jig lens ISO100

- After adjustment, remove the jig from the camera, and check the display again for EE accuracy.

T-2 adjustment mode timer

- When the camera is in the adjustment mode, a bar is displayed on the LCD.



- If the shutter is not released within 30 seconds, the camera escapes from the adjustment mode. (The bar disappears) (The adjustment mode will be renewed for more 30 seconds if the shutter is released while in the adjustment mode)
- When the adjustment mode is off, turn the double-function switch ON again.

4. Adjust viewfinder indication and EE whenever M circuit board or DX circuit board is replaced.
Set power voltage to 6.2V for automatic B.C. adjustment.

2-2. Manual Adjustment (without BV11 of the EE tester, T-2 is not used)

○ Preparations

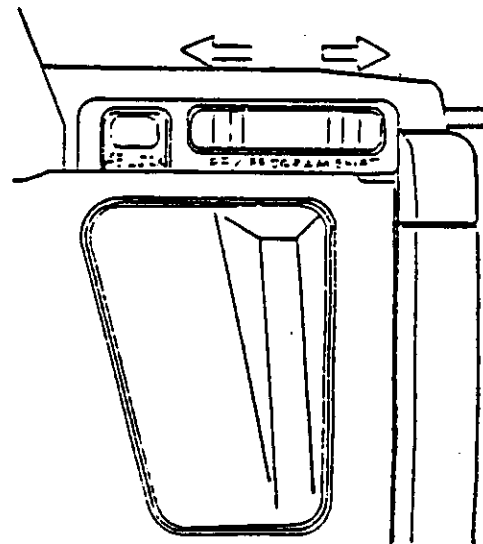
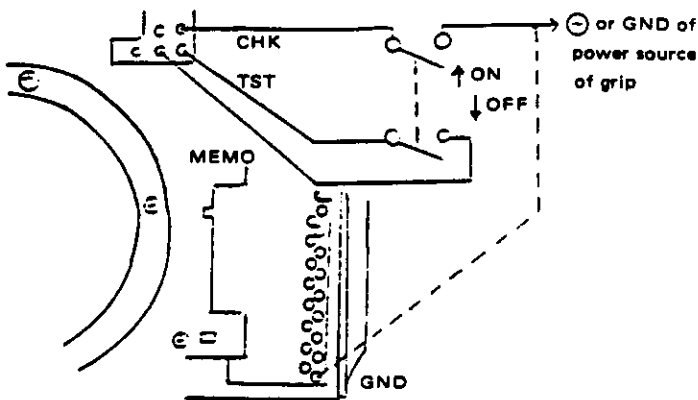
- DC stabilizer
- F5.6 jig lens or AS5018
- Grip jig
- Set the double-function switch as shown in the diagram

CHE ↔ GND TST ↔ MEMOR turns ON/OFF at the same time

* The double-function switch must be OFF when power is first supplied to the camera.

- Release the shutter after adjustment (By releasing, data is updated.)

	AS 5018 Shutter indication	F 5.6 jig lens shutter indication
BV9	90	15
BV10	125	30
BV11	180	60
BV12	250	125
BV13	350	250



- Apply 6.2V to the DC stabilizer and connect it to the grip jig.
If EP is shown on the LCD, turn the power to the camera OFF and ON again while the double-function switch is left ON.
- Turn on the double-function switch.
- Since the front cover is detached, cover the camera with a piece of black cloth to prevent the camera from being effected by light.

1. Manual adjustment of the display . . . using light box.

- Set the brightness to BV11 or to the nearest brightness when there is no BV11.
- Adjust only when M circuit board or DX circuit board is replaced.
Battery check, auto-adjustment of M circuit board: Press the self-timer button twice and release the shutter.
(When M circuit board or DX circuit board is not replaced, the grip adjustment is not necessary. 62V is not necessary either.)
- While holding the AE lock button, set the shutter speed indication according to the table below by turning the shift knob up or down.
(Brightness must be fixed to any one of the values.)

2. EE Manual adjustment

Set the camera to the EE tester. (Set ISO100 and BV value in the range of BV11.)

- Release the shutter and then read the EV value.
- If the value deviates from the standard, adjust the EV value by turning shift knob up or down while holding the release button.

Assembly adjustment standard

BV4	$0^{+0.2}_{-0.5}$ EV
BV7	0 ± 0.3 EV
BV11	0 ± 0.2 EV
BV15	0 ± 0.5 EV

F5.6 jig lens ISO100

When shift knob is turned up: EV value increase by 0.125.

When shift knob is turned down: EV value decreases by 0.125.

- Turn off the double-function switch after adjustment.

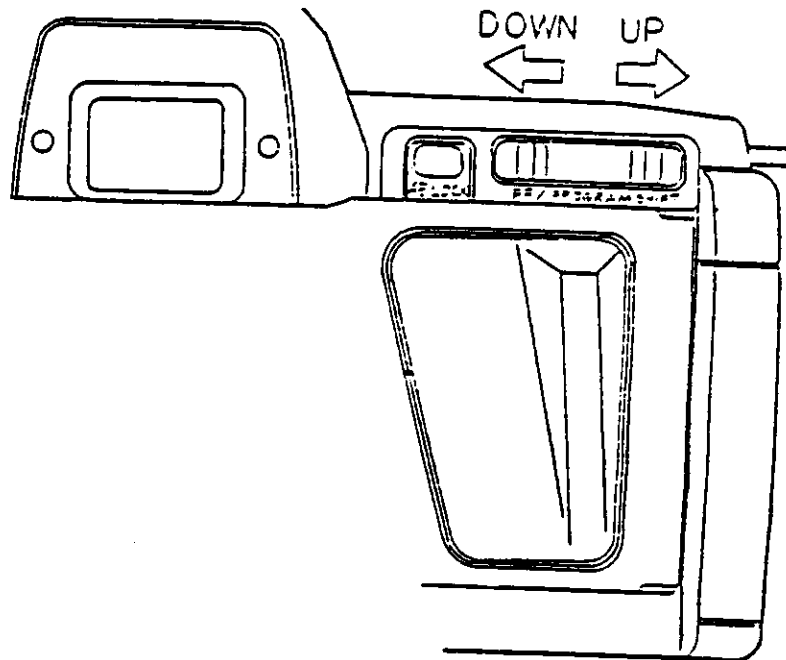
After removing the jig from the camera, check the display and EE accuracy a gain.

* For EE adjustment of each ISO value, use T-2 to set ISO value.

3. Necessary adjustment items when circuit board is replaced.

Circuit board	Adjustment items and procedures
M circuit board	1. B.C. adjustment 2. Display adjustment 3. EE adjustment
DX circuit board (E ² PROM)	1. B.C. adjustment 2. Display adjustment 3. EE adjustment

- After B.C adjustment, readjust display and EE, because, the adjustment data of display and EE are erased during B.C adjustment.

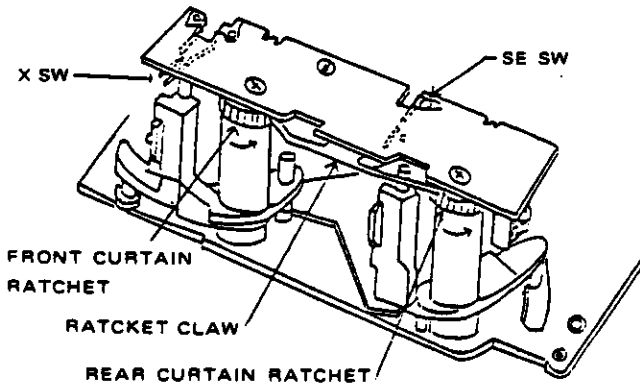


3. Adjustment of Shutter Ass'y

When the shutter ass'y malfunctions occur, do not attempt repair. From the standard points of reliability, durability and cost, it is recommended to replace the entire unit.

Reference

- Adjustment of curtain speed reference value
 7.8 ± 0.2 ms (1/2000 at 20°C)
 Use T-2 and set speed to 1/2000.
 Adjust front curtain and rear curtain by turning each ratchet.



Generally, turn the ratchet counter-clockwise only (curtain speed increase) (Clockwise rotation will cause deformity of the claw or top of the ratchet teeth.)

In case curtain speed must be slowed down, carefully separate the claw from the ratchet and reverse the procedure (clockwise).

* In this adjustment, the shutter speed balance is changed. As a result, uneven exposure will occur. Adjust so as not to influence exposure.

Ⓢ Adjustment standards

1. Change in front curtain speed per ratchet
 (When curtain speed is approx. 7.9 ms)

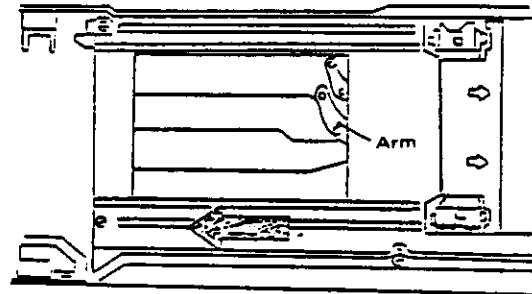
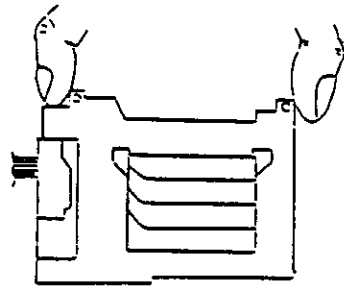
Change in front curtain speed	Change in seconds		
	Ach	Bch	Cch
0.04 ms	+0.02 ms	+0.05 m	+0.07 m

- In the case of a vertically-moving shutter (moves upwards from below), set the curtain direction mode of the shutter to for up.

Ⓢ Handling of Shutter Unit

- Hold the shutter unit on both ends. Do not hold the unit from the top or bottom (see diagram).
- Do not blow air directly onto the shutter curtain.

- If the curtain is dirty, wrap a pair of tweezers with finger-stall and wipe slightly in one direction only as shown in the diagram. (If the curtain is wiped strongly, static electricity is produced causing the shutter speed to slow down temporarily. To avoid this, release the shutter three or four times.)



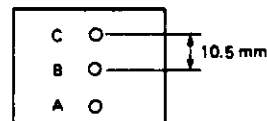
4. X Synchronization Time Lag

Measurement procedure

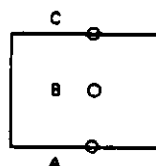
- Since there is no synchronization socket, use an OM-10 hot-shoe adaptor.
- If the shutter tester is the type with a 35 mm FOCAL ↔ PEN · F LENS exchange mode, set it to PEN · F LENS.
- Set the camera to the F4 mode.
- Standard:
 1. Within 0.3 ms ~ 1 ms (C channel → XSW ON)
 2. For a tester whose C channel is on the border of the mask: within 0 ~ 0.6 ms

Adjustment Procedure

- Adjust the binding of the XSW armature in the shutter unit.

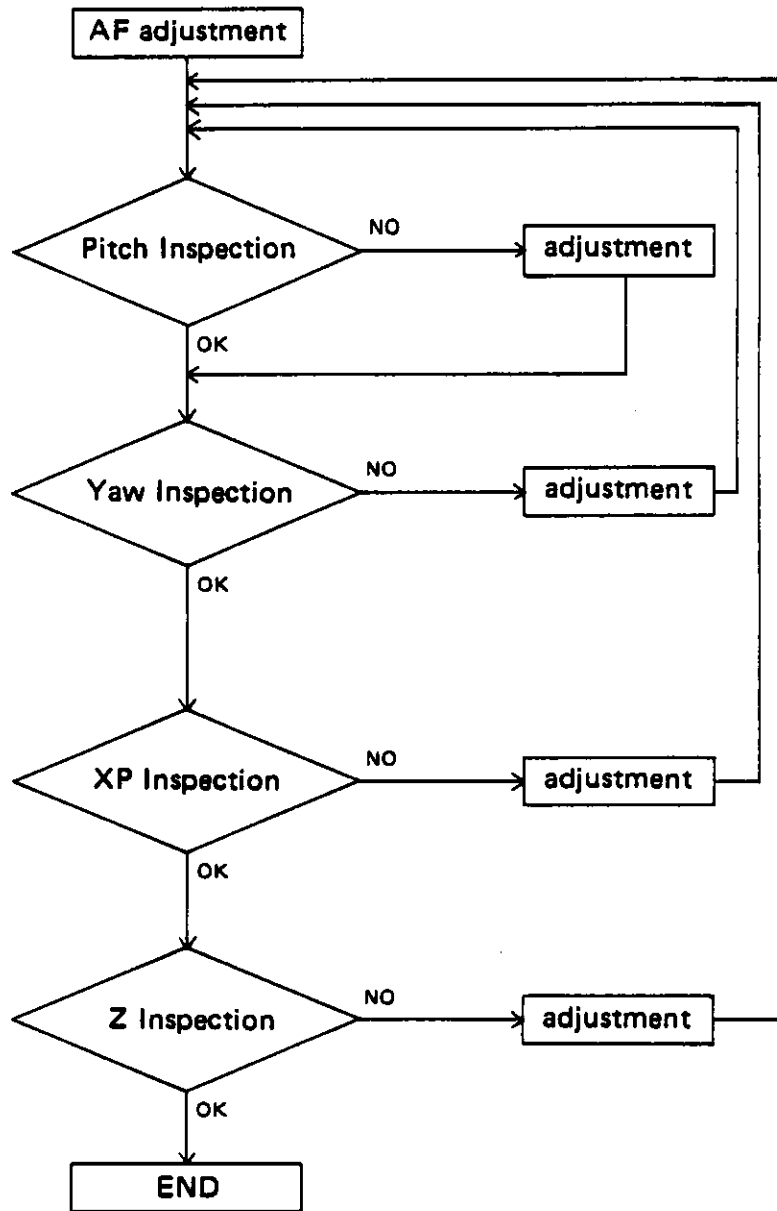


Mask surface of shutter tester

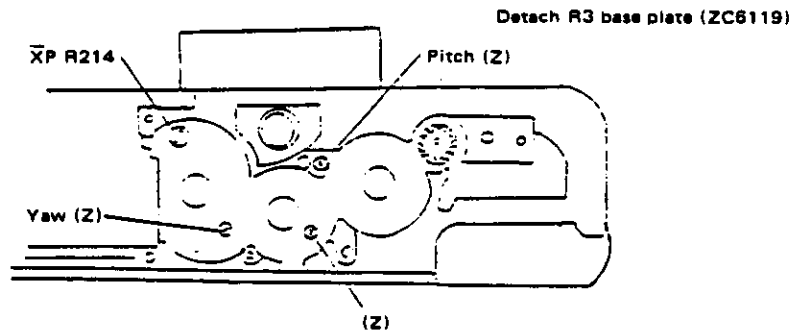


5. AF adjustment

5-1. Adjustment procedure



- PITCH..... Forward-backward adjustment
- Yaw Left-right adjustment
- XP..... Matching adjustment for columns A and B in the CCD
- Z Focal length adjustment

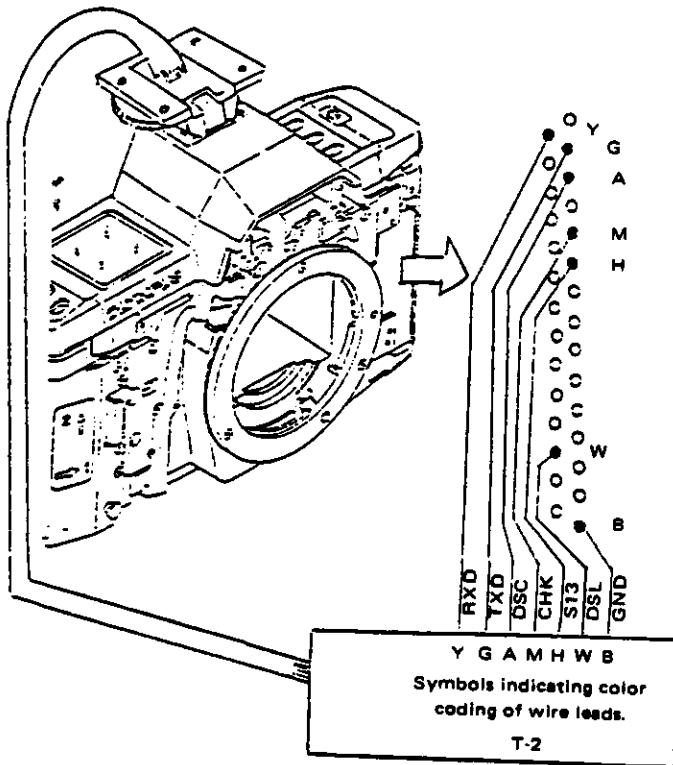


5-2. Pitch Adjustment

1. Set camera to T-2
 - Solder the 7 lead wires to the AF circuit board.
 - Insert the jig into the shoe.
2. Adjust the light box to BV10, and move the FD adjustment jig (KC0139) to face the light box.
3. Change the shape of the FD adjustment plate jig (KC0139) into a semi-circular one.
4. Operate T-2

↓ Main mode key	S (AF CHK)	ON
↓ "	ET	ON
↓ Sub mode key	D	ON
↓ Main mode key	ET	ON

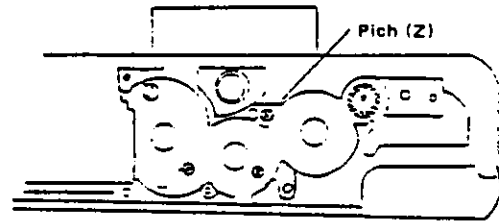
 - ↓ Turn on AE Lock key twice
 - ↓ Read T-2 display (CCD accumulated time)
5. Slide the FD adjustment plate jig (KC0139) to reverse the semi-circle. Then read the T-2 display. The difference in the accumulated time when plate is exchanged should be within $+3\% \pm 5\%$ (Repair and adjustment standard).
6. If the value does not meet the standard, adjust by turning the sensor screw for Pitch adjustment.



e.g.

$$\begin{aligned}
 P1 &= 4.86 \text{ ms} & P2 &= 5.215 \text{ ms} \\
 4.86 \times 0.03 &= 0.146 & 4.86 + 0.146 &= 5.006 \text{ ms} \\
 5.006 \times 0.05 &= 0.25 & 5.256 \sim 4.756 \text{ ms} &\dots \\
 & & &\dots \text{ standard}
 \end{aligned}$$

∴ The standard is satisfied when $P2 = 5.215 \text{ ms}$.

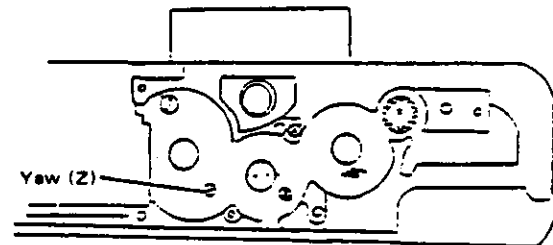


5-3. Yaw Adjustment

1. Set T-2 and light box to the same values as in Pitch adjustment.
2. Attach the Yaw adjustment jig (KC0167) to the camera.
3. Operate T-3

↓ Main mode key	S (AF CHK)	ON
↓ "	ET	ON
↓ Sub mode key	C	ON
↓ Main mode key	ET	ON

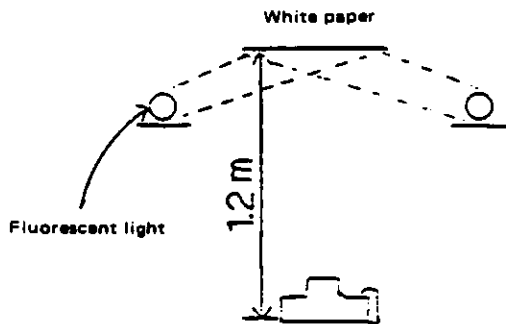
 - ↓ Turn on AE Lock key twice.
 - ↓ Read T-2 display (the area difference between columns A and B in the CCD).
4. The area difference should be within $\pm 5\%$.
5. If the area difference is greater than $\pm 5\%$, adjust by turning the sensor screw to satisfy the standard.
 - * Do not use the Yaw slit of the FD adjustment jig (KC0139) in Yaw adjustment because high accuracy cannot be obtained.



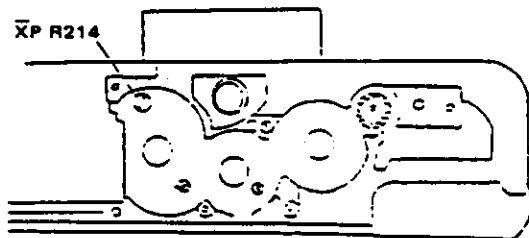
5-4. XP Adjustment

1. The setting of T-2 is the same as that for the Pitch and Yaw.
2. Turn the coupler of the jig lens AS5018 and stop at 1.2 m (scribed line). Attach to camera in the position where the camera is just locked. (do not engage with coupler near body.)
3. Using a piece of white paper on the wall, set the camera to a distance of 1.2 m. (Set brightness of the white paper to BV10.)
4. Operate T-2

↓ Main mode key	S (AF CHK)	ON
↓ "	ET	ON
↓ Sub mode key	F	ON
↓ Main mode key	ET	ON
- ↓ Turn on AE Lock of camera twice.
- ↓ Read T-2 display (Matching difference between columns A and B in the CCD).
5. Indication of T-2 must be
 - within 0.5% average
 - within 1% maximum
6. If values are less than the standard, adjust by turning variable resistor R 214.

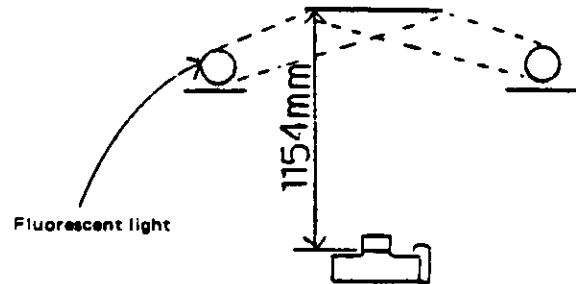


Be sure to use Fluorescent light.
Take care not to let direct Fluorescent light enter the camera.



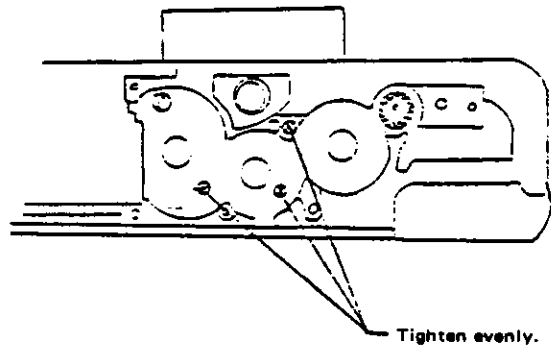
5-5. Z Adjustment

1. Hang the designated pattern on the wall and set the brightness of the pattern to BV10 (using a fluorescent light).
2. Mount the AS5018 jig lens to camera.
3. Set the camera at a distance of 1.154 mm from the pattern.
4. Press the release button and measure the distance.
5. Position the scribing on the focusing ring at 1.2 m. The lens index should now satisfy the standard. Distance between the scribed line and lens index must be within 1 mm (left-to-right) (Check by releasing the shutter two or three times.)



Do not shine fluorescent light directly on the camera.
Be sure to use fluorescent light.

6. If the values are less than the standard, adjust by turning the three sensor screws evenly.



E

REPAIR PROCEDURES

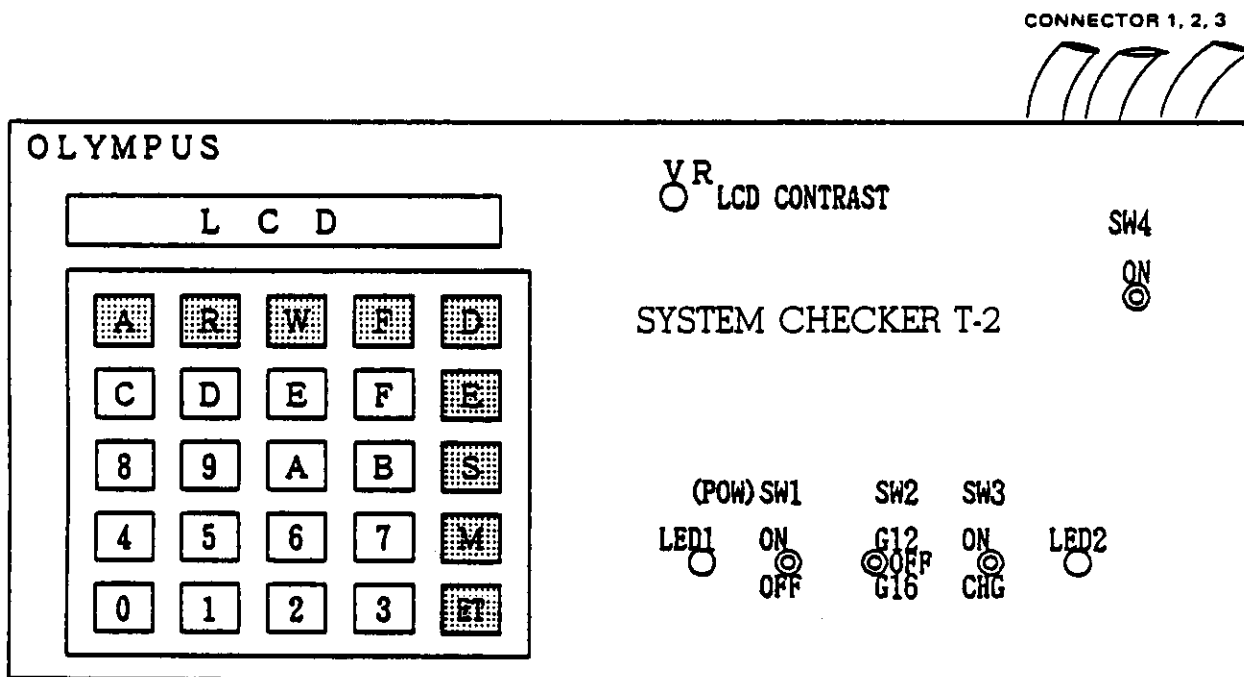
E. REPAIR PROCEDURES

CONTENTS

1.	SYSTEM CHECK T-2 MANUAL	E-1
1.	Panel	E-1
2.	Table of Check Items	E-2
3.	Operating Procedure	E-4
4.	Practical Example in Using Checker	E-5
4-1.	Use of Connector 3 (SHOE)	E-5
4-2.	Use of Connector 2 (GRIP) and Connector 3 (SHOE)	E-10
4-3.	Use of Connector 1 (AF) and Connector 2 (SHOE)	E-12
4-4.	Adjustment	E-14
2.	TROUBLE SHOOTING	E-20
1.	Noting operates, including the display and shutter	E-20
2.	Shutter does not move at all	E-20
3.	Display failure	E-21
4.	AE operation failure	E-23
5.	AE Operation Failure	E-27
6.	Mirror Operation Failure	E-29
7.	Film Wind and Film Rewind Failure	E-30
8.	Aperture Operation Failure	E-31
9.	AE Lock Operation Failure	E-31
10.	Self Operation Failure	E-31
11.	Flash Operation Failure	E-32
12.	AF Illumination Failure	E-33

1. SYSTEM CHECK T-2 MANUAL

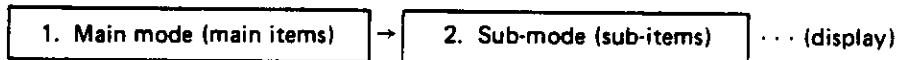
1. Panel



1. LCD DOT MATRIX DISPLAY
2. VR LCD contrast adjustment resistor (adjusts brightness to obtain clear display on LCD).
3. SW1 POWER SW
4. SW2 GRIP flash recharged signal (Choose G12 or G16. There is presently no G16.)
5. SW3 T series flash ON/recharged signal
6. SW4 AUTO CHECK mode: auto adjustment
AF SENSOR CHECK mode: CHECK T-2 line ON
EE/BV ADJUST mode: auto adjustment
7. LED1 Lights when SW1 is ON
8. LED2 Built-in F280 flash, illuminator LED dummy
9. MAN MODE main mode selection key
use Letters A, R, W, F, D, E, S, M, ET
10. TEN KEY sub-mode selection key: for address/data input, use keys other than the main keys
(0, 1, 2, A, B, C, D, E, F)

2. Table of Check Items

- ◇ When using Checker T-2 to check these items, use the following procedures to call the appropriate programs.



- ◇ There are 3 kinds of connectors on the camera
1. Connector 1: For connecting the AF checker
 2. Connector 2: For connecting the GRIP
 3. Connector 3: For connecting shoe

- ◇ Table of check items

1. Use connector 3 (Shoe connector)

Main mode	Sub-mode	Display	Check item
	0	D-CONNECT CHECK	DXSW
A (AUTO MODE)	1	S-CONNECT CHECK	Lens RCM data
	9	LCD ON CHECK	LCD full on
	A	STANDBY CHECK	Display time (30 sec.)
	B	MECHA SW CHECK	each SW mechanism
	C	KEY SW CHECK	each SW key
	D	SHOE X/T CHECK	XSW, TTL Signal
	E	SEQ SW CHECK	SE, MU, WU, AVSW
	R (RAM READ)	020	ADR : 020 DATA : ○○
022		ADR : 022 DATA : ○○	EV value
02C		ADR : 02C DATA : ○○	AV value (for display)
02E		ADR : 02E DATA : ○○	TV value (for display)
036		ADR : 036 DATA : ○○	BV A/D exchange value
032		ADR : 032 DATA : ○○	BATT A/D exchange value
034		ADR : 034 DATA : ○○	TV value (P line, turning point)
03A		ADR : 03A DATA : ○○	Number of aperture step
03E		ADR : 03E DATA : ○○	TV value when AELOCK
056		ADR : 056 DATA : ○○	focus length
05A		ADR : 05A DATA : ○○	Minimum F No.
05C		ADR : 05C DATA : ○○	Release F No.
13C		ADR : 13C DATA : ○○	film counter
13E		ADR : 13E DATA : ○○	DX code
F (F280)	0	F280 ON *	F280. X signal
	1	F280 CHARGE UP *	F280. X, EP signal

Main mode	Sub-mode	Display	Chek item	
E (EE/BC ADJ)	—	BV/BC AUTO ADJ	EE adjustment	
	—	BV/BC AUTO ADJ	EE adjustment	
	—	EV CHECK	EE adjustment	
	8 ⋮ F	ISO SET 25 ⋮ ⋮ ⋮ ISO SET 3200		
	1	EV CHECK	Check EV value	
M (MANUAL MODE)	0	DAV: PRG SS: BULB	Check program aperture	
	1	DAV: PRG SS: BULB	Check program aperture	
	2	DAV: 0.0 SS: AUTO	Check EE value	
	3	DAV: 0.5 SS: 2	aperture 0.5 step	SS 2
	4	DAV: 1 SS: 1	aperture 1 step	SS 1
	5	DAV: 1.5 SS:	aperture 1.5 step	SS 2
	6	DAV: SS: 4	aperture 2 step	SS 4
	7	DAV: 2.5 SS:	aperture 2.5 step	SS 8
	8	DAV: 3 SS: 15	aperture 3 step	SS 15
	9	DAV: 3.5 SS: 30	aperture 3.5 step	SS 30
	A	DAV: 4 SS: 60	aperture 4 step	SS 60
	B	DAV: 4.5 SS: 125	aperture 4.5 step	SS 125
	C	DAV: 5 SS: 250	aperture 5 step	SS 250
	D	DAV: 5.5 SS: 500	aperture 5.5 step	SS 500
	E	DAV: 6 SS: 1000	aperture 6 step	SS 1000
	F	DAV: 6.5 SS: 2000	aperture 6.5 step	SS 2000

2. Use connectors 2 and 3 together

Main mode	Sub-mode	Display	Chek item	
A (AUTO MODE)	2	B-CONNECT CHECK	DISP-SW, RESW, GRIP FLASH	
	3	F-CONNECT CHECK	SLMP signal, absolute distance value	
	4	T-CONNECT CHECK	Shoe, X terminal	
	5	F-CONNECT CHECK	GRIP FLASH	
	7	AV/TV CHECK	Operation of Camera	
	8	SHOE TTL CHECK	X, TTL of shoe	

3. Use connector 1 and 3 together

Main mode	Sub-mode	Display 1	Display 2	Check item
S (AF SEMDCR)	0	MLIFE	—	Lens rotation
	1	TADOR	—	Actuation of 200 pulses
	2	LENS RUN	+00B5 78 044C 01	Lens coefficient
	3	TAFSEQ (F4.0)	—	
	4	TAFSEQ (F2.8)	—	
	5	TAESIN (F2.8)	—	
	6	TPOWER	—	
	7	PWRUP	—	
	8	CCDYAW (F4.0)	OFC9 ODD9 +15.89%	Yaw
	9	DISPIT (F4.0)	DISPIT 10.455 ms	Pitch
	A	CCDZ (F4.0)	1+01289	F focus
	B	XBPADJ (F4.0)	ODE1 OCBE +10.5%	A, B output
	C	CCDYAW (F2.8)		Yaw
	D	DISPIT (F2.8)		Pitch
	E	CCDZ (F2.8)		F focus
	F	XBPADJ (F2.8)		A, B output

3. Operating Procedure

1. POW-SW-ON → 2. SW1-ON → 3. Main mode → 4. ET → 5. Sub-mode → 6. ET
(camera)

Notes: 1. Turn OFF all other SW's.

2. Turn the camera ON and then turn ON SW1 of the checker.

3. To check the re-display of the sub-mode and OK function, press the reset button on the camera and then press ET.

4. To change the main mode; press the reset button on the camera and then set main or sub-mode.

5. If changing the main mode fails, repeat above procedures from (1) again.

Auto-Adjustment Function

© If SW4 is turned ON during AUTO-CHECK;

- Checking automatically advances from D-Connect → S-Connect → ... LCD ON.
However, if any part malfunctions, it will be indicated on the display.

- When SW4 is turned OFF, Auto-adjustment returns to D-Connect check and starts again when SW4 is turned ON again.

4. Practical Example in using Checker

4-1. Use of Connector 3 (SHOE)

4-1-1. AUTO CHECK MODE

Operation: POW-ON → SW1-ON → A → ET → ○ → ET → (display)
(Camera)

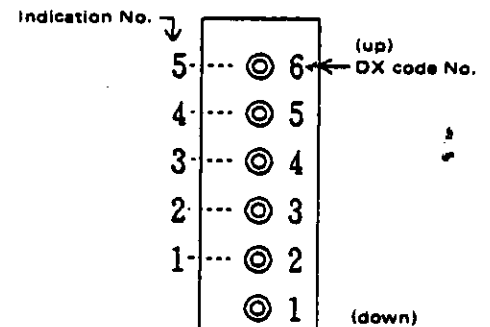
main mode
sub mode

1. D-CONNECT CHECK = DX contact check (A. 0)

Display

O: OK F: Failure

Film-unloaded	O	D-CONNECT OK	OK displayed briefly
	F	DX1 OFF	contact 2 failure
Film-loaded	O	DX1 2 OFF	according to ASA100 DX code table
	F	Out of DX code table	



2. S-CONNECT CHECK = lens ROM check (A. 1)

Display

O	S-CONNECT OK	OK displayed briefly
F	S-CONNECT ERROR	lens ROM calling failure

3. LCD ON CHECK = LCD fully ON (A. 9)

Display

O	LCD OK CHECK	LCD on the camera all OK, AF inside F OFF
F	LCD ON CHECK	all OFF

4. STANDBY CHECK = check within 30 sec. of display (A. A)

Display

O	STANDBY CHECK	blinks for 30 sec. and stops (F ON → OFF)
F	STANDBY CHECK	failure if operation other than described above

After checking operation, press the reset button on the camera. The film cartridge mark displayed in the LCD should blink and then stop after 30 sec. (OK if LCD inside F turns ON and OFF)

5. MECHA SW CHECK = each SW check (A. B)

Display

Camera Operation	SW Check	Display (O)	Display (F)
Press release button halfway	DSIP-SW	MECHA SW:: DS	With the original SW display (Newly set SW is not displayed)
Press release button	RESW	MECHA SW : RL	
Rear cover open/close	OCSW	MECHA SW : OC	
Film transport	WFSW	MECHA SW : WF	
Attach and remove lens	BMSW	MECHA SW : BM	
R button set	RWSW	MECHA SW : RW	
Press each key	each key	MECHA SW : REY	

◇ 1. When checking KEY SW's, slightly press DISPSW and then press KEY SW.

6. KEY SW CHECK = Key SW check (A. C)

Display

KEY SW operation	SW Check	Display (O)	Display (F)
RESET	CLR SW	KEY SW : CLR	With the original SW display.
DRV	DRV SW	KEY SW : DRV	
F4	X/F4 SW	KEY SW : XF4	
AF power	PF SW	KEY SW : FCS	
Self timer	SLF SW	KEY SW : SLF	
Shift left-right	SFTHSW	KEY SW : SHS	
Shift middle right	SFTUSW	KEY SW : SUP	
Shift middle left	SFTDSW	KEY SW : SDN	
AE lock button	AEL SW	KEY SW : AEL	

7. SHOE X/T CHECK = X. TTL-ON Check (A. D)

Display

Condition	Display (O)	Display (F)
Dark	X ON TTL	Failure if display other than as listed on the left.
Low light	X ON-1 TTL ON-2	
Medium light	X ON-2 TTL ON-1	
High light	X TTL ON	

◇ Release shutter

8. SEQ SW CHECK = SESW, MUSW, WUSW, AVSW display static condition (A. E)

Display

SEO MUO WUO AVX	Display: Normal O, Abnormal X
-----------------	-------------------------------

4-1-2. RAM READ MODE sub-mode

Operation: POW-ON → SW1-ON → R → ET → ○○○ → ET → (Display)

◇ Refer to the table in No. E-7 for each standard value.

1. ISO Check (R. 020)

Display

O	ADR : 020	DATA : 28	Same as ISO of the camera
F	ADR : 020	DATA	Differs from ISO of the camera

2. EV Check (R. 022)

Display

O	ADR : 022	DATA :	Change in response to brightness
F	ADR : 022	DATA :	Differs from ambient brightness

3. AV Check (Display use) (R. 02C)

Display

O	ADR : 02C	DATA :	Same as F display
F	ADR : 02C	DATA :	Differs greatly from aperture value

4. TV Check (Display use) (R. 02E)

Display

O	ADR : 02E	DATA :	Same as F display
F	ADR : 02E	DATA :	Differs greatly from SS

5. BV A/D exchange value (R. 036)

Display

O	ADR : 036	DATA :	Changes in response to brightness
F	ADR : 036	DATA :	Differs greatly in value

6. BC A/D exchange value (R. 032)

Display

O	ADR 032	DATA :	Changes by battery
F	ADR : 032	DATA :	Differs greatly in value

7. P line graph break point (TV value) (R. 034)

Display

O	ADR : 034	DATA :	Changes in response to brightness
F	ADR : 034	DATA :	

8. Number of aperture (pulses) (R. 03A)

Display

O	ADR : 03A	DATA :	Change in response to brightness
F	ADR : 03A	DATA :	Differs greatly in value

9. AELOCK TIME (R. 03E or 03C)

Display

O	ADR : 03E	DATA :	
F	ADR : 03E	DATA :	

10. Focal length (R. 056)

Display

O	ADR :	DATA :	
F	ADR :	DATA :	

11. Minimum F No. (R. 05A)

Display

O	ADR :	DATA :	
F	ADR :	DATA :	

12. Open F No. (R. 05C)

Display

O	ADR :	DATA :	
F	ADR :	DATA :	

13. Film counter (R. 13C)

Display

O	ADR :	DATA :	
F	ADR :	DATA :	

14. DX code (R. 13E)

Display

O	ADR :	DATA :	
F	ADR :	DATA :	

4-1-3. F-Flash Signal Mode

Operation: POW-ON → SW1 → ON → F → ET → O → ET → (Display)
(Camera)

1. F280 X signal check (F. 0)

O	F280 ON X ON	After shutter is released, X ON is displayed
F	F280 ON	

2. F280 X signal check (F. 1)

Display

O	F280 CHARGE X ON	Release Shutter. Two kinds of display indications
F	F280 CHARGE	

[Display] Dark: X ON display
Bright: FLAT display

4-1-4. EE/BC ADJ MODE

Operation = POW-ON → SW1-ON → E → O → ET → (display)
(Camera)

1. ISO setting (E. 0)

Display

O	ISO SET	Same as ISO of camera
F	ISO SET	Different value

◇ (sub-mode)

8 ISO025	C ISO400
9 ISO050	D ISO800
A ISO100	E ISO 1600
B ISO200	F ISO3200

◇ Use instead of DX jig (patron)

Use when setting ISO of the camera to other than 100.

2. EV check (E. 1)

Display

O	EV CHECK	C	Changes in response to brightness
F	EV CHECK		

4-1-5. MANUAL MODE

Operation = POW-ON → SW1-ON → M → ET → O → ET → (display)
(Camera)

1. Setting of bulb (M. 1)

Display

O	DAV = PRG	SS = BULB	When released, it changes to bulb, program
F	DAV =	SS =	

2. Setting aperture value: seconds setting (M. 000)

Display

O	DAV = 1.5	SS = 4
F	DAV =	SS =

Sub-mode	2	3	4	5	6	7	8	9	A	B	C	D	E	F
Aperture	0.1	0.5	1	1.5	2	2.5	3	3.5	4	4.5	5	5.5	6	6.5
Seconds	AUTO	2S	1.5	2	5	8	15	30	60	125	250	500	1000	2000

◇ Operation: Aperture setting procedures : After main mode is set, press the desired sub-mode key.
Seconds setting procedures : After aperture is set, press the desired sub-mode key while pressing the 0 key.

POW-ON → SW1-ON → M → ET → O → 0 → O → ET → (display)

aperture setting ↑ ↓ seconds setting

4-2. Use of Connector 2 (GRIP) and Connector 3 (SHOE)

4-2-1. AUTO CHECK MODE

Operation = POW-ON → SW1-ON → A → ET → O → ET → (display)

1. B-CONNECT CHECK
1. DISPSW, RELS signal check (A. 2)
2. Grip flash signal check

Display

O	B-CONNECT	OK	Displays OK for a brief moment
F	DSP SW	ERROR	DISP NO SW reading
	REL SW	ERROR	REL NO SW reading
	STOUT (CHG)	ERROR	No G flash recharge ready signal
	STCHG (RDY)	ERROR	G flash recharged signal reading impossible
	GRX (WX)	ERROR	No G flash fire signal

- ◇ 1 Release shutter
- 2) Carry out in low brightness

2. F-CONNECT CHECK
1. AF illuminator ON signal check (A. 3)
2. Absolute distance calculation check

Display

O	F-CONNECT	OK	Display OK for a brief moment
F	F-CONNECT	SLMP	No shoe illuminator ON signal
	F-CONNECT	ERROR	AF Operation Failure, Absolute distance Calculation Failure

- ◇ 1) Release shutter
- 2) Carry out in low brightness

3. T-FLASH CHECK
1. L terminal signal check (A. 4)
2. X signal check

Display

O	T-FLASH	OK	Displays OK for a brief moment
F F	SHOE L	ERROR	Shoe L signal reading impossible
	SHOE X	ERROR	No shoe X signal

- ◇ 1) Release shutter
- 2) Carry out in low brightness

4. F-FLASH CHECK Shoe X/FLAT signal check (A. 5)

Display

O	F-FLASH	OK	Displays OK for a brief moment
	F-FLASH	X ON	
	F-FLASH	FLAT	
F	F-FLASH	ERROR	Neither shoe X nor FLAT

- ◇ 1) Press E.T. and the shutter is released.
- 2) Carry out in low brightness
- 3) Mount lens

5. G-FLASH CHECK G-flash signal check (A. 6)

Display

O	G-FLASH	OK	Displays OK for a brief moment
F	STOUT (CHG)	ERROR	No G-flash recharged ready signal
	STOUT (RDY)	ERROR	G-flash recharged ready reading impossible
	GRX (WX)	ERROR	No G-flash fire signal

1. Release the shutter
2. Check in low brightness

6. AV/TV CHECK aperture, shutter check (A. 7)

Display

O	AV/TV CHECK	Shutter is released 4 times at aperture step 2 (SS1/4)
F	AV/TV CHECK	No operation

- ◇ Shutter is released 4 times automatically

7. SHOE TTL shoe TTL signal check (A. 8)

Display

O	SHOE TTL	OK	Display OK for a brief moment
F	SHOE TTL	ERROR	No TTL signal

4-3. Use of Connector 1 (AF) and Connector 2 (SHOE)

4-3-1. AF SENSOR CHECK

- Operation: 1. POW-ON → SW1-ON → S → ET → 0 → ET → (display)
 2. Lightly press the AE lock button twice (lens operation, data display)

1. MLIFE: lens operational check (S. 0)

Display

O	MLIFE	Lens moves forward and backward
F	MLIFE	Lens does not move

◇ Camera LCE displays (0)

2. TADDR: Operational check of lens at 200 pulses (S. 1)

Display

O	TADDR	Lens operates at about 200 pulse
F	TADDR	Lens dose not move

◇ Camera LCD displays (1)

3. LANS RUN: Lens ROM check (S. 2)

Display

O	+005B 78 004C 01	Lens ROM contents displayed
F		

◇ Press reset button on the camera → display

+	error value e/- sign
00B5	error value

18	coefficient of zoom
004C	pulse value
01	AF STATUS

4. TAFSEQ (F4): SEQ Check (S. 3) (F.2.8 is S. 4)

Display

O	TAFSEQ (F4.0)	Lens moves
F	TAFSEQ (F4.0)	Lens does not move

◇ Camera LCD displays (3) (4)

5. TAFSIN (F2.8): SIN check (S.5)

Display

O	TAFSIN (F2.8)	Lens move
F	TAFSIN (F2.8)	Lens does not move

◇ Camera LCD displays (%)

6. T POWER: AF power advance check (S.6)

Display

O	T POWER	Set AF shift SW to the left, lens advances
F	T POWER	No movement

- ◇ Camera LCD (11 → 10)
- ◇ Reset the lens to ∞ before checking.

7. PWR UP: AF power slow rotation check (S.7)

Display

O	PWR UP	Set AF shift SW to the left: lens advances slowly
F	PWR UP	

- Camera LCD displays (7 → 6)
- If the lens advances, turn OFF the SW of the checker or the camera POW-SW.
(Otherwise the motor will continue to rotate.)

8. CCDYAW (F4) (S.8) (F2.8 is S.C)

Display

O	OFC9 ODD9 +15.89%	Standard should be satisfied
F	OFC9 ODD9 +15.89%	Below standard

- ◇ Camera LCD displays (12)
- Standard: Within ±5% (The number of the position of 15.89% is below 5)

9. DISPIT (F4) (S.9) (F2.8 is S.D)

Display

O	Dispit 10.455 ms	Standard should be satisfied
F	Dispit 10.455 ms	Below standard

- ◇ Camera LCD displays (13)
- Standard: 5% (less than 5% against number A of the position of 10.455 ms)

10. CCDZ (F4) (S.A) (F2.8 is S.E)

Display

O	----- 1 + 01289	Standard should be satisfied
F	----- 1 + 01289	Below standard

- ◇ Camera LCD display (14)
- Standard: within ±4 (The number of the position of 01289 is below 4)

11. XBPADJ (F4) (S.B) (F2.8 is S.D)

Display

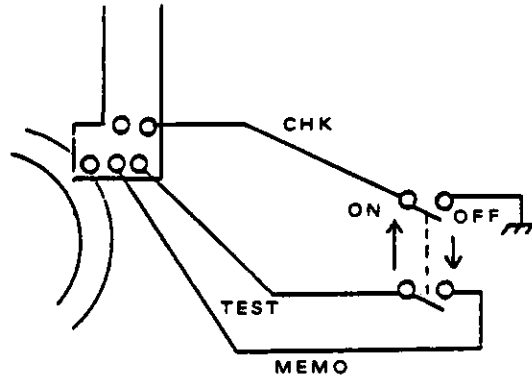
O	ODE1 OCBE +15.50%	Standard should be satisfied
F	ODE1 OCBE +15.50%	Below standard

- ◇ Camera LCD display (15)
- Standard: ±5% (The number of the position of 15.50 is below 5)

4-4. Adjustment

4-4-1. EE adjustment

1. Preparation



1. Attach the double-function SW to the test terminal.
2. Set the E tester to BV11 and ISO100.
3. Mount a F5.6 jig lens on the camera.
4. Set power of the camera to 6.3V.

Note: Turn double-function SW OFF when power to the camera is turned ON.

- To display (EP) on the camera LCD, turn power OFF and turn ON again while double-function SW is left ON.

2. Operation

1. POW SW-ON → double-function SW-ON → SW1-ON → E → ET → SW4-ON.

(Display)

EV CHECK
EE AUTO DX *

 After the auto-adjustment of display BC level, Automatically checks display Adjustment level and enters EE auto-adjustment mode.

2. Press release button several times.

(Display)

EE AUTO DX *

 After release several times, EE of ISO100 changes to $\pm 0.125EV$.

Increasing or decreasing the value of EE is explained below.

3. A key ON. Set to ISO100.

(Display)

ISO SET 100*

4. Press release button.

(Camera shift SW UP/DOWN)

(Display)

ISO SET 100

 If the shift knob is turned UP, EE increases.
If the shift knob is turned DOWN, S increases.

(Method of setting is explained below each IS) (Display)

5.8 ~ F key ON	9 LSO SET*	50
	8 LSO SET*	25
	A LSO SET*	200
	C LSO SET*	400
	D LSO SET*	800
	E LSO SET*	1600
	F LSO SET*	3200

As in 4 above, confirm and adjust each EE of ISO while releasing.

◇ Method of setting ISO

Operation: POW-ON → SW1-ON → E → ET → 0 → ET → (display)

1	EV CHECK		
8	ISO 52	C	ISO 400
9	ISO 50	D	ISO 800
A	ISO 100	E	ISO 1600
B	ISO 200	F	ISO 3200

- To switch ISO continuously, turn ON SW4 and press the 8 ~ F keys.

4-4-2. B, C adjustment · display manual adjustment. EE manual adjustment.
(Do not use T-2 checker)

1. Preparation

- Same as EE adjustment

	AS5018	F5.6 jig lens		
BV	SS	EV	SS	EV
9	90	98	15	70
10	125	A0	30	78
11	180	A8	60	80
12	250	B0	125	88
13	350	B8	250	90

2. Operation

(1) Double-function SW-ON

(B, C auto-adjustment)

(2) Press the self-timer key on the camera twice.

(Display manual adjustment)

(3) Press the AEL key of the camera and move the shift key UP or DOWN, then set SS inside of F according to the table on the left.

(Set brightness to any of these levels)

(EE manual adjustment)

(4) Move the shift key of the camera UP or DOWN and adjust EE while releasing.

shift UP = EE0.125EV UP

shift DOWN = EE0.125EV DOWN

(5) After adjusting, turn OFF the double-function SW.

RAM ADDRESS/DATA MAP

ISO (SV)		EV		AV (for display use)		TV (for display use)	
ADDRESS: 020		ADDRESS: 022		ADDRESS: 02C		ADDRESS: 02E	
READ WRITE		READ		READ		READ	
DATA	ISO	DATA	(AF LENS only)	DATA	(AF LENS only)	DATA	(AF LENS only)
18	25	00	Light measuring limit	00	FNO 1.0	48	SS L0
1B	32	08	EV -9	04	1.2	4C	2"
1D	40	10	-8	08	1.4	50	1
20	50	18	-7	0C	1.8	54	1
23	64	20	-6	10	2.0	58	2
25	80	28	-5	14	2.5	5C	3
28	100	30	-4	18	2.8	60	4
2B	125	38	-3	1C	3.5	64	6
2D	160	40	-2	20	4.0	68	8
30	200	48	-1	24	4.5	6C	10
33	250	50	0	28	5.6	70	15F
35	320	58	1	2C	6.7	74	20
38	400	60	2	30	8.0	78	30
3B	500	68	3	34	9.5	7C	45
3D	640	70	4	38	11	80	60
40	800	78	5	3C	13	84	90
43	1000	80	6	40	16	88	125
45	1250	88	7	44	19	8C	180
48	1600	90	8	48	22	90	250
4B	2000	98	9	4C	27	94	350
4D	2500	A0	10	50	32	98	500
50	3200	A8	11	54	38	9C	750
		B0	12	58	45	A0	1000
		B8	13			A4	1500
		C0	14			A8	2000
		CC8	15			AC	100
		D0	16				
		D8	17				
		E0	18				
		E8	19				
		F0	20				
		F8	21				

RAM ADDRESS/DATA MAP

BV A/D converter value		BATTERY A/D converted value		P line graph turning point (TV value)			
ADDRESS: 036		ADDRESS: 032		ADDRESS: 034		ADDRESS:	
READ		READ		READ		READ	
DATA	(AF LENS only)	DATA		DATA	(AF LENS only)	DATA	
00	BV A/D converter failure	00	A/D converter failure	48	2"		
01	Low brightness	01	High voltage	4C	1.5"		
?	?	?	?	50	1		
FE	High brightness	FE	Low voltage	54	1.5		
FF	BV A/D converter failure	FF	A/D converter failure	58	2		
				5C	3		
				60	4		
	Reference value		Reference value	64	6		
	(with AS5018)	08	6.975V	68	8		
		10	6.75	6C	100		
58	BV 0	18	6.525	70	15		
60	1	20	6.3	74	20		
68	2	28	6.075	78	30		
70	3	30	5.85	7C	45		
78	4	38	5.625	80	60		
80	5	40	5.4	84	90		
88	6	48	5.175	88	125		
90	7	50	4.95	8C	180		
98	8	58	4.725	90	250		
A0	9	60	4.5	94	350		
A8	10	68	4.275	98	500		
B0	11	70	4.05	9C	750		
B8	12	78	3.825	A0	1000		
C0	13	80	3.6	A4	1500		
C8	14	88	3.375	A8	2000		
D0	15						
D8	16						
E0	17						
E8	18						
F0	19						
F8	20						

RAM ADDRESS/DATA MAP

Number of aperture step (pulses)			Number of aperture step (pulses)						
ADDRESS: 03A			ADDRESS: 03A			ADDRESS:		ADDRESS:	
READ			READ			READ WRITE		READ WRITE	
DATA	Number of step pulses		DATA	Number of step pulses		DATA		DATA	
00	8	64	20	4	32				
01	7 7/8	63	221	3 7/8	31				
02	7 6/8	62	22	3 6/8	30				
03	7 5/8	61	23	3 5/8	29				
04	7 4/8	60	24	3 4/8	28				
05	7 3/8	59	25	3 3/8	27				
06	7 2/8	58	26	3 2/8	26				
07	7 1/8	57	27	3 1/8	25				
08	7	56	28	3	24				
09	6 7/8	55	29	2 7/8	23				
0A	6 6/8	54	2A	2 6/8	22				
0B	6 5/8	53	2B	2 5/8	21				
0C	6 4/8	52	2C	2 4/8	20				
0D	6 3/8	51	22D	2 3/8	19				
0E	6 2/8	50	2E	2 2/8	18				
0F	6 1/8	49	2F	2 1/8	17				
10	6	48	30	2	16				
11	5 7/8	47	31	1 7/8	15				
12	5 6/8	46	32	1 6/8	14				
13	5 5/8	45	33	1 5/8	13				
14	5 4/8	44	34	1 4/8	12				
15	5 3/8	43	35	1 3/8	11				
16	5 2/8	42	36	1 2/8	10				
17	5 1/8	41	37	1 1/8	9				
18	5	40	38	1	8				
19	4 7/8	39	39	7/8	7				
1A	4 6/8	38	3A	6/8	6				
1B	4 5/8	37	3B	5/8	5				
1C	4 4/8	36	3C	4/8	4				
1D	4 3/8	35	3D	3/8	3				
1E	4 2/8	34	3E	2/8	2				
1F	4 1/8	33	3F	1/8	1				

RAM ADDRESS/DATA MAP

AELOCK TIMER			AELOCK TIMER			AELOCK TIMER					
ADDRESS: 03E, 03C			ADDRESS: 03E, 03C			ADDRESS: 03E, 03C			ADDRESS: 03E, 03C		
READ			READ		READ	READ			READ WRITE		
DATA			DATA			DATA			DATA		
03E address	03C address	Shutter speed	03E address	03C address	Shutter speed	03E address	03C address	Shutter speed	03E address	03C address	Shutter speed
3F	FD	0.37 ms	3F	C0	7.81 ms	3C	00	125			
3F	FC	0.49	3F	B0	9.78	3B	00	156			
3F	FB	0.62	3F	A0	11.72	3A	00	187			
3F	FA	0.74	3F	90	13.67	39	00	219			
3F	F9	0.87	3F	80	15.6	38	00	250			
3F	F8	1.00	3F	70	17.6	37	00	281			
3F	F7	1.13	3F	60	19.5	36	00	312			
3F	F6	1.25	3F	50	21.5	35	00	343			
3F	F5	1.38	3F	40	23.4	34	00	376			
3F	F4	1.50	3F	30	25.4	33	00	407			
3F	F3	1.63	3F	20	27.3	32	00	438			
3F	F2	1.75	3F	10	29.3	31	00	470			
3F	F1	1.88	3F	00	31.3	30	00	500			
3F	EF	2.08	3E	E0	35.2	2E	00	563			
3F	ED	2.33	3E	C0	39.1	2C	00	625			
3F	EB	2.58	3E	A0	43.0	2A	00	687			
3F	E9	2.84	3E	80	40.9	28	00	750			
3F	E7	3.06	3E	60	50.8	26	00	812			
3F	E5	3.31	3E	40	54.7	24	00	874			
3F	E3	3.57	3E	20	58.6	22	00	936			
3F	E1	3.82	3E	00	62.5	20	00	1000			
3F	DD	4.28	3D	C0	70.3	1C	00	1125			
3F	DA	4.65	3D	90	76.2	19	00	1219			
3F	D7	5.02	3D	60	82.1	16	00	1313			
3F	D3	5.39	3D	20	88.0	12	00	1407			
3F	CF	5.98	3C	E0	97.0	0E	00	1563			
3F	CB	6.57	3C	A0	106	0A	00	1625			
3F	C6	7.09	3C	50	114	05	00	1890			
3F	C1	7.71	3C	00	125	00	00	2000			

2. TROUBLE SHOOTING

- ◇ 1. This section contains information on trouble shooting the electrical system only.
- 2. It is therefore necessary to distinguish between mechanical failures and electrical failures.
- 3. Use checker T-2 for checking. Refer to the items in 1 for operation.
- 4. The check item recording the sub-mode title of the CHECK.
- 5. () above and below records the sub-mode title of the CHECK.
- 6. The number in the ○ is the pin number of the IC. The followings are abbreviation for the ICs: B1, B2, CP, FC, LD, HI and HS.

Refer to the right side.

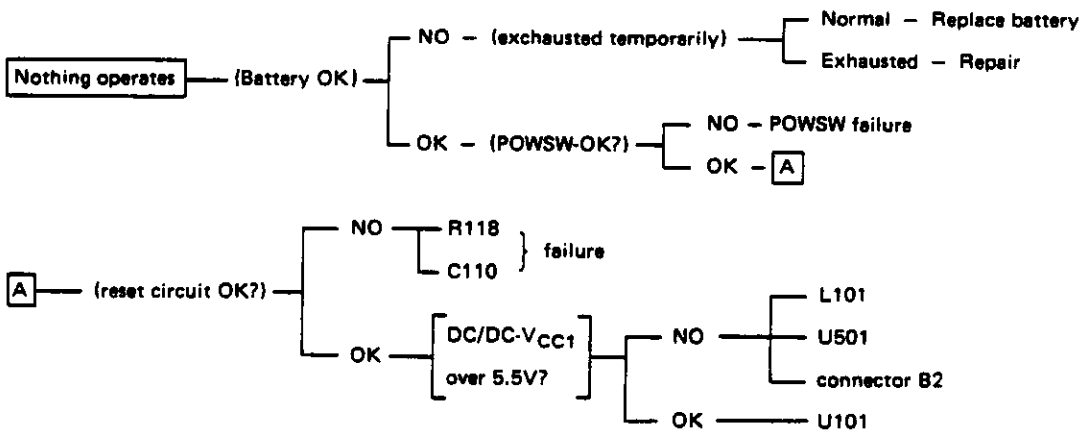
Note 1. To confirm whether something has been repaired or not, turn the POWSW on the camera OFF for several seconds and then turn it ON again.

(The reason is that the program is latched in the failure mode.)

- 2. Check the IC connectors again.
- 3. Use checker T-2 to check the system switches.

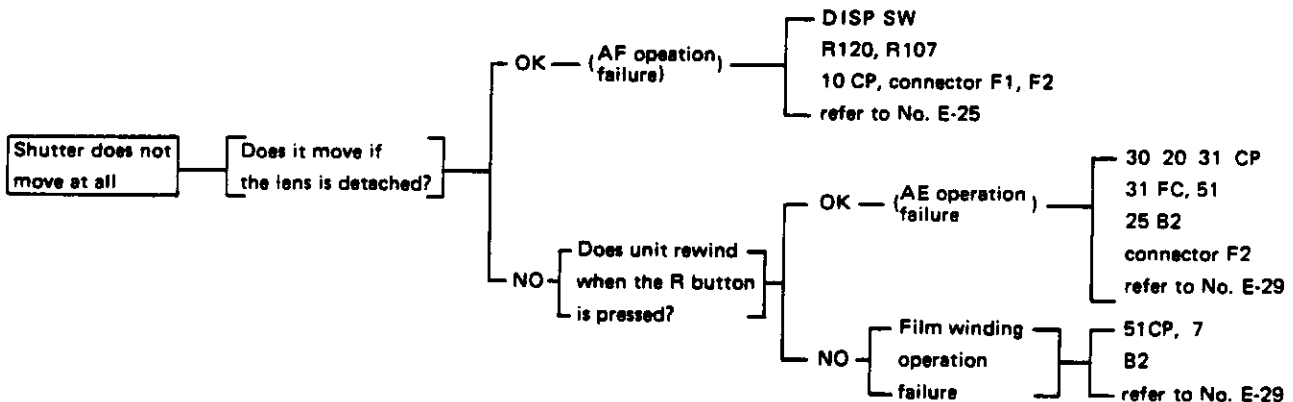
Abbreviation	IC name	Abbreviation	IC name
CP	CPU U101	FC	AFCPU U201
B1	B.P.1, U102	HI	HIM U202
B2	B.P.1, U103	HS	HSM U203
LD	LCDD U104		

1. Nothing operates, including the display and shutter

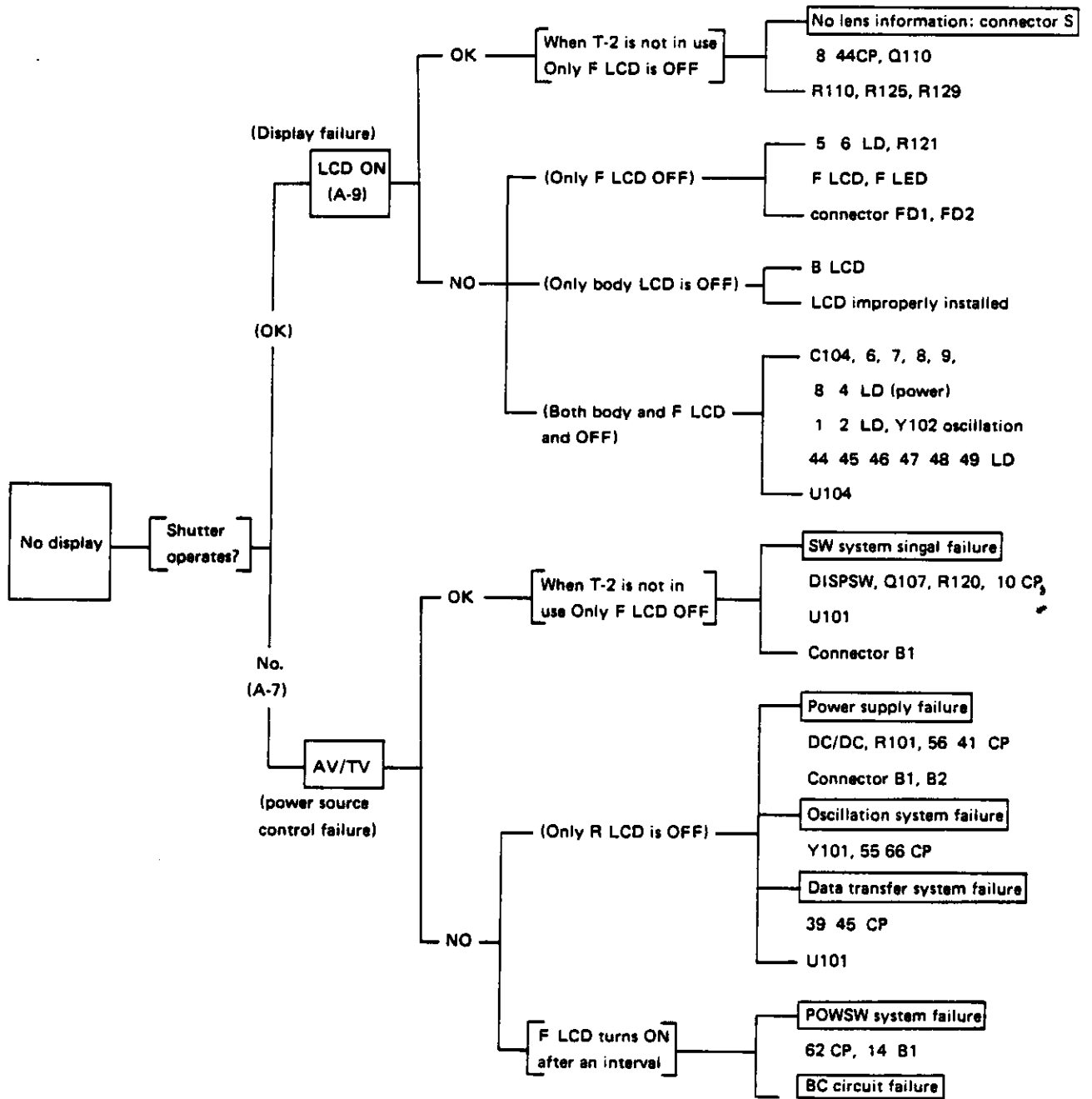


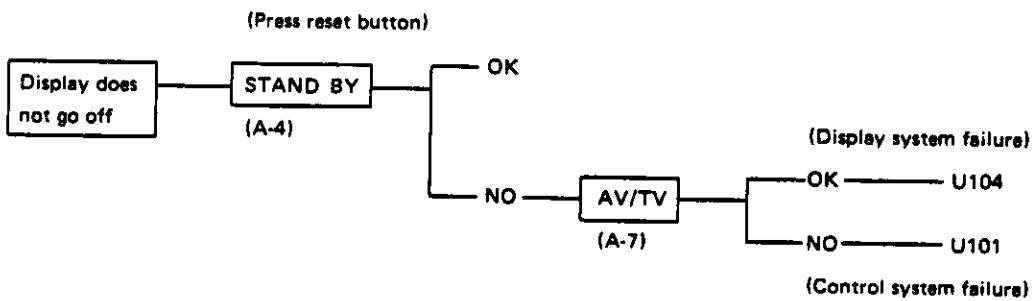
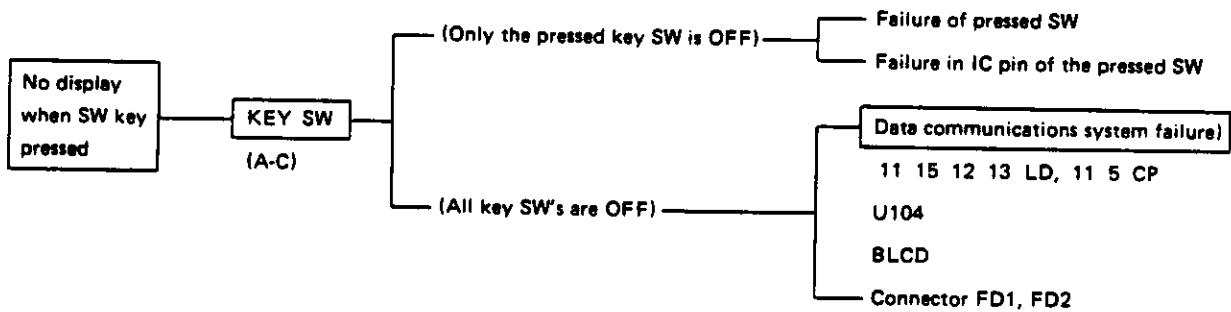
2. Shutter does not move at all

- ◇ Algorithm for distinguishing breakdown in AF, AE, WD.



3. Display failure

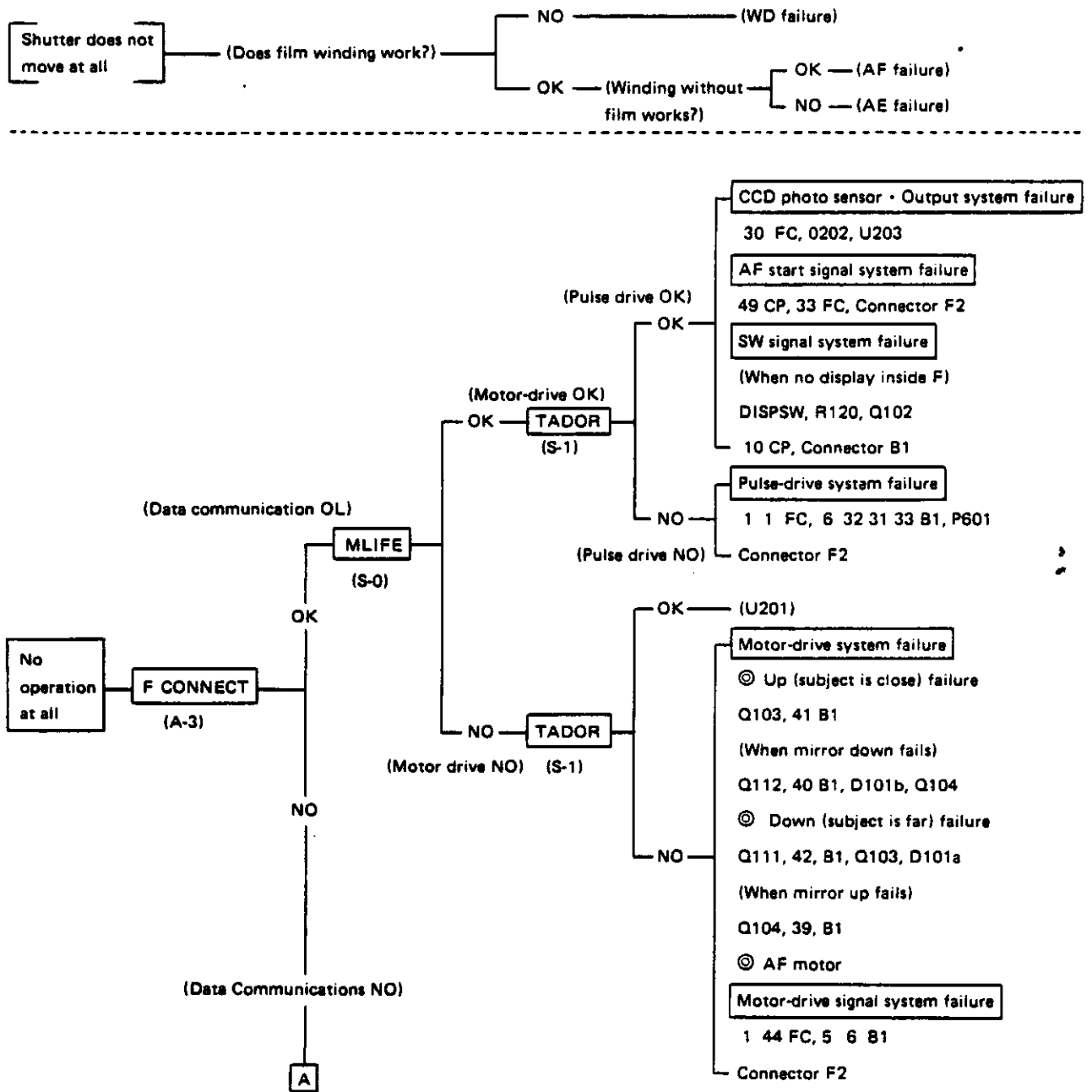


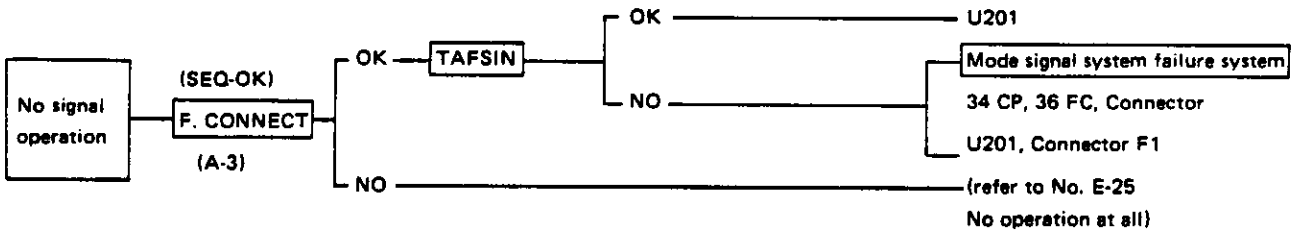
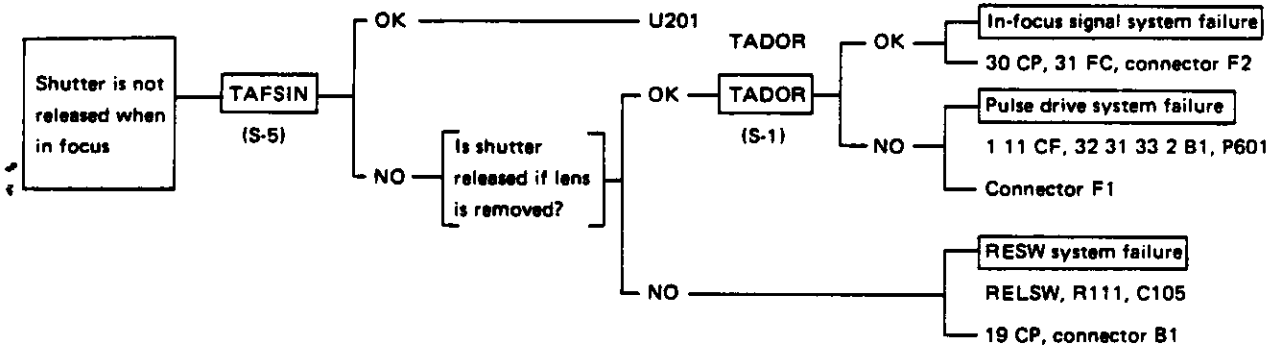
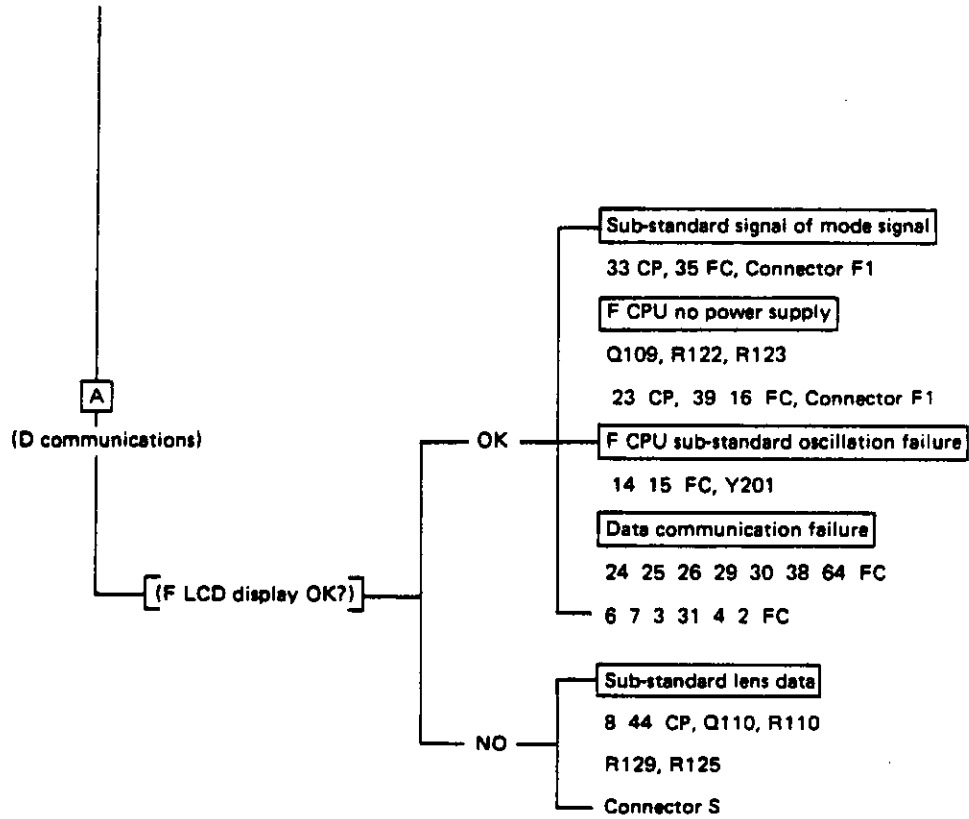


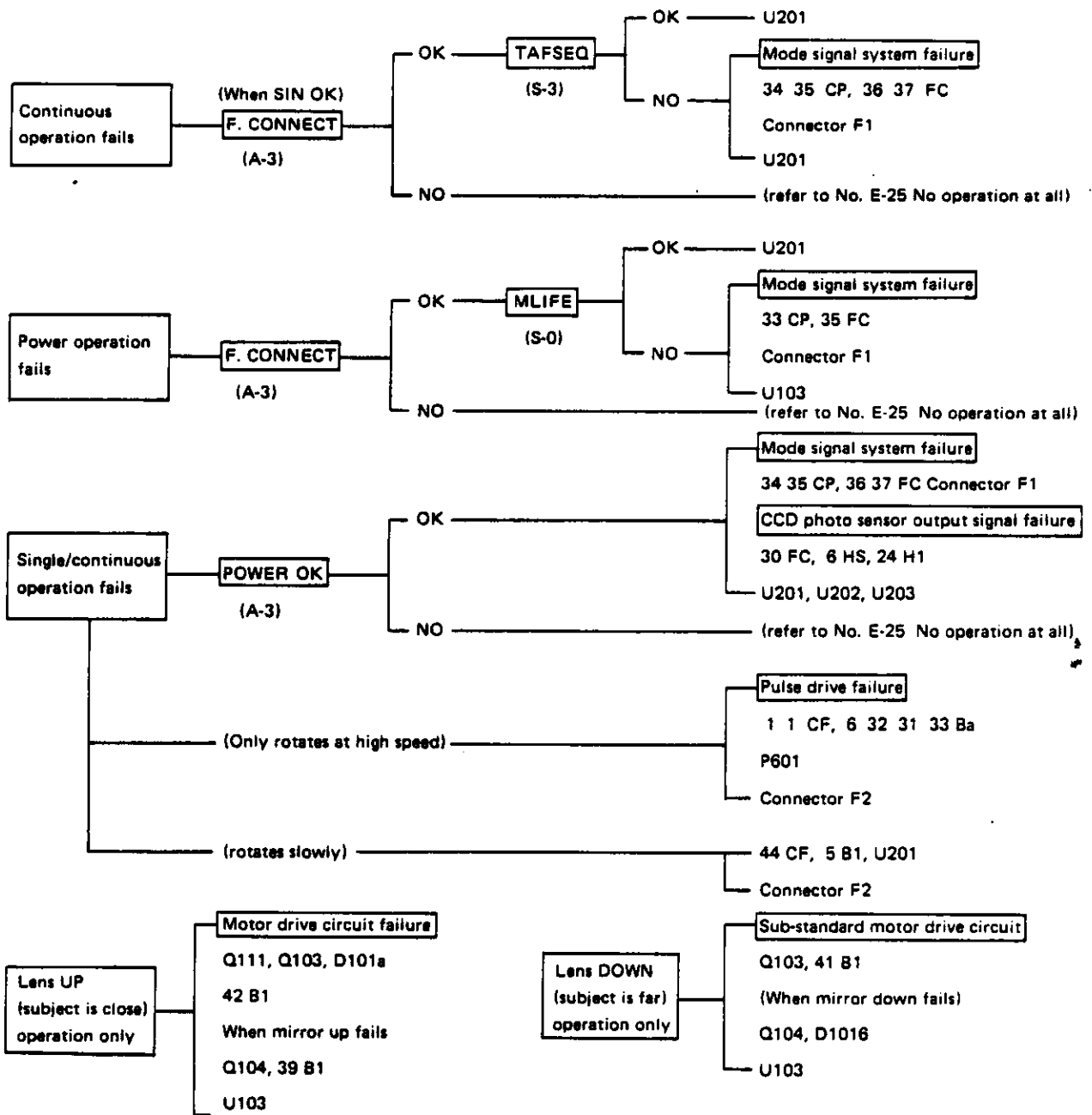
* IC failure if only the display will not go off.

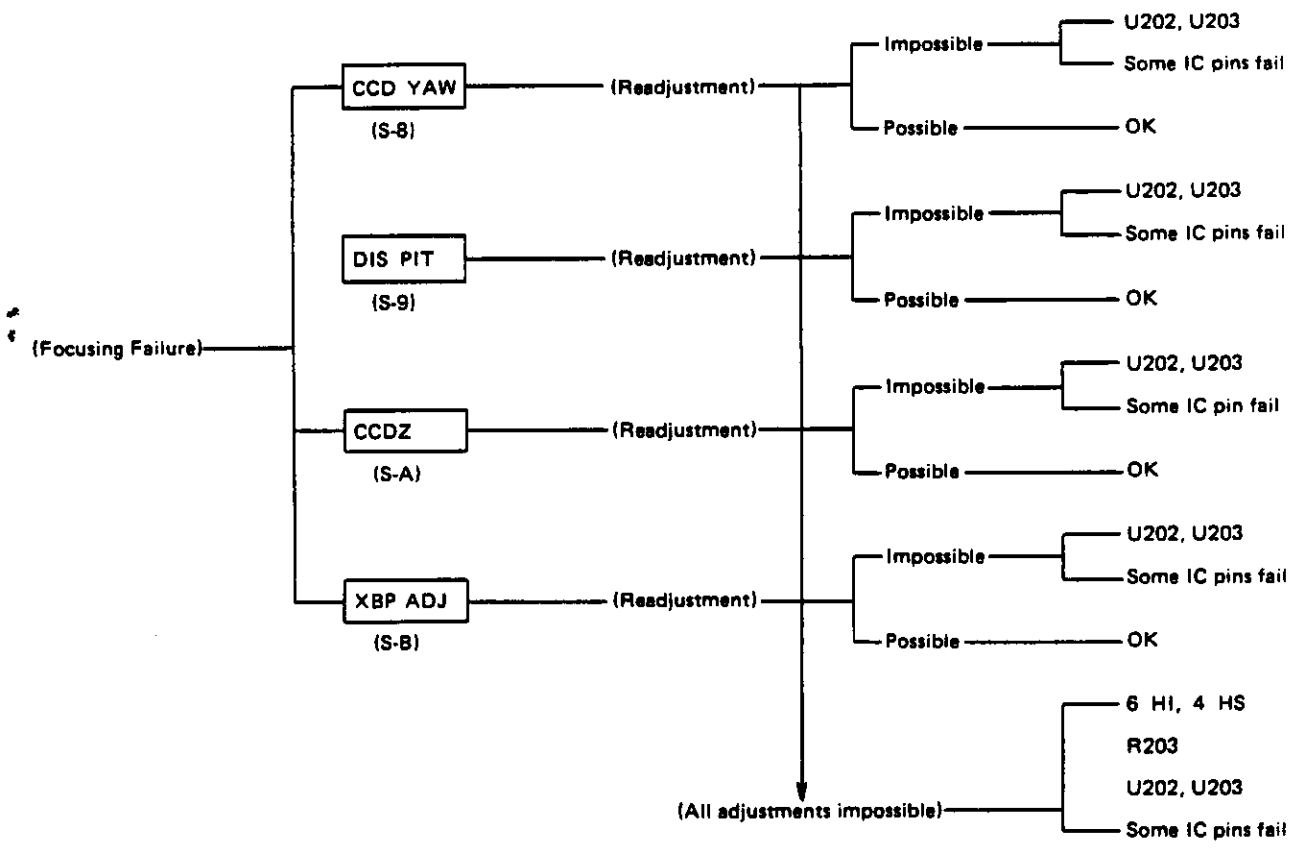
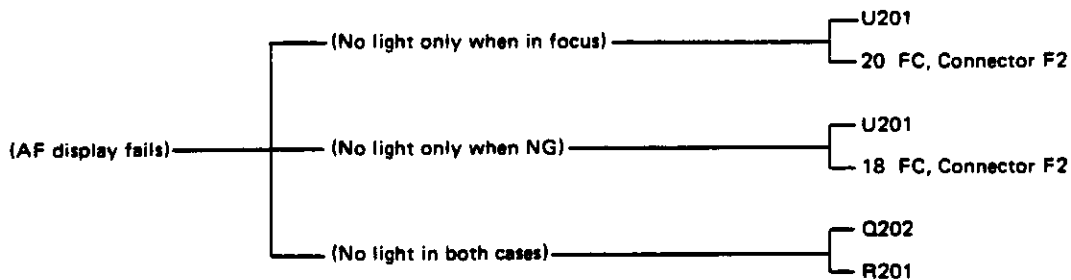
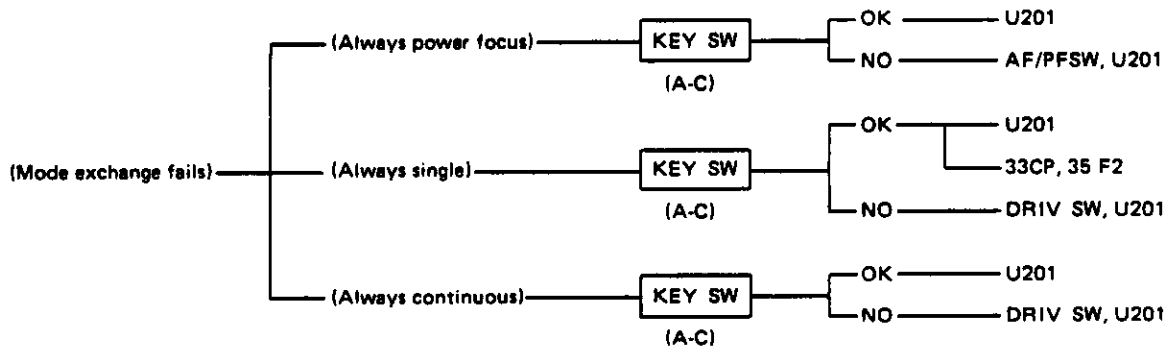
4. AE operation failure

◇ Discrimination



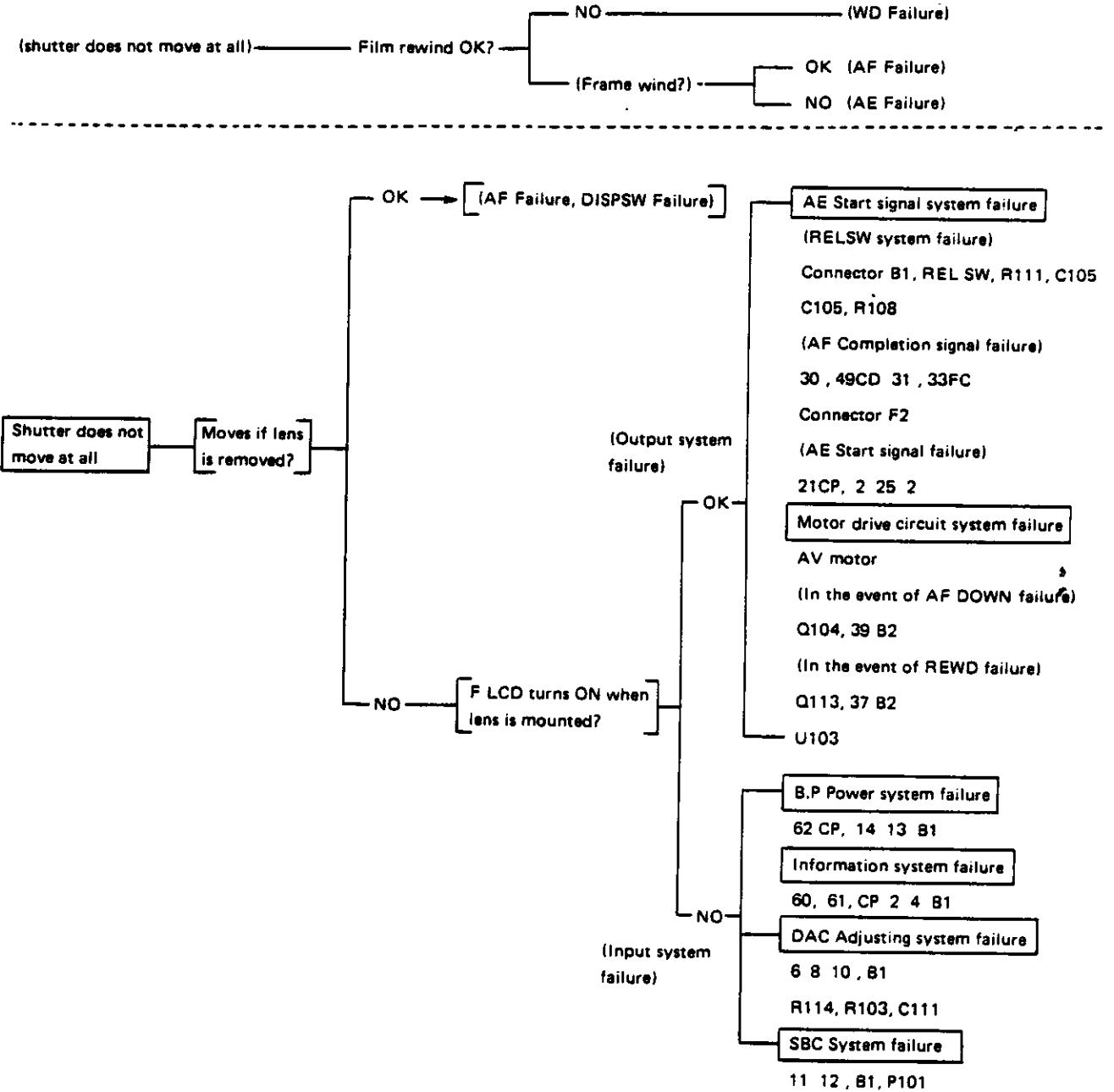


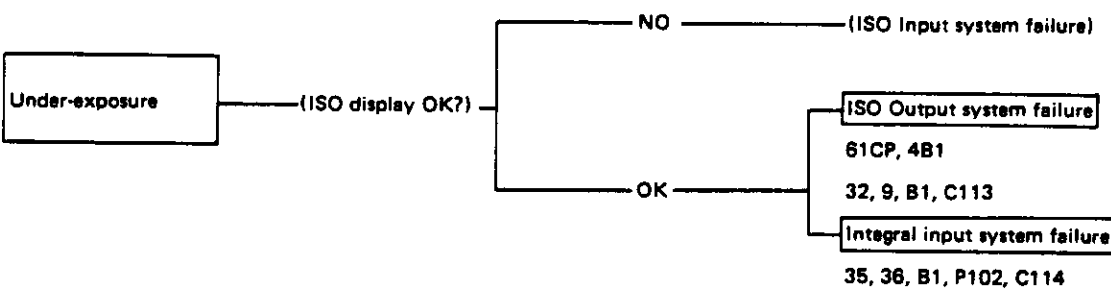
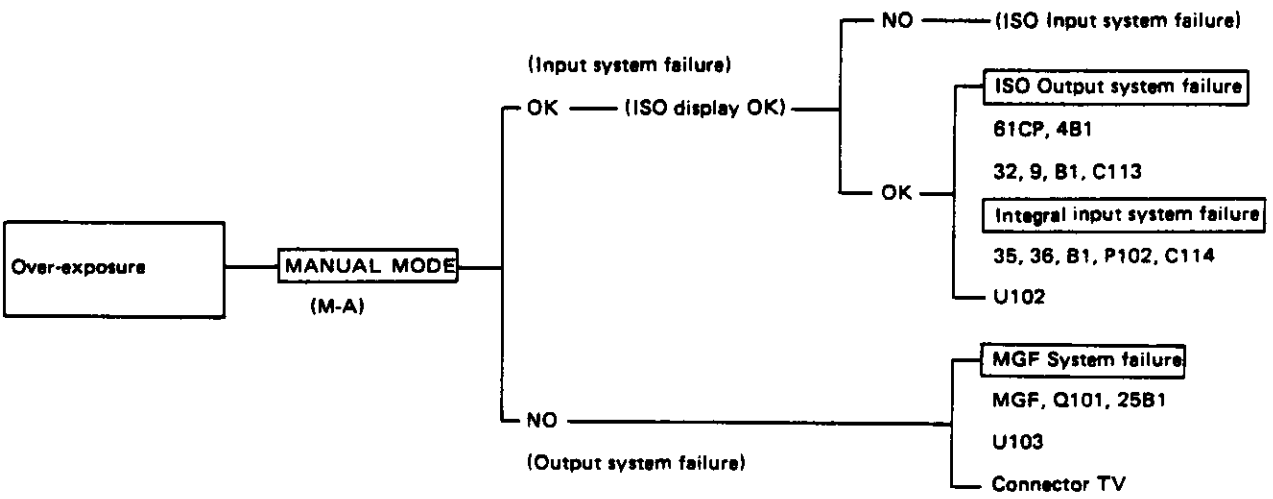
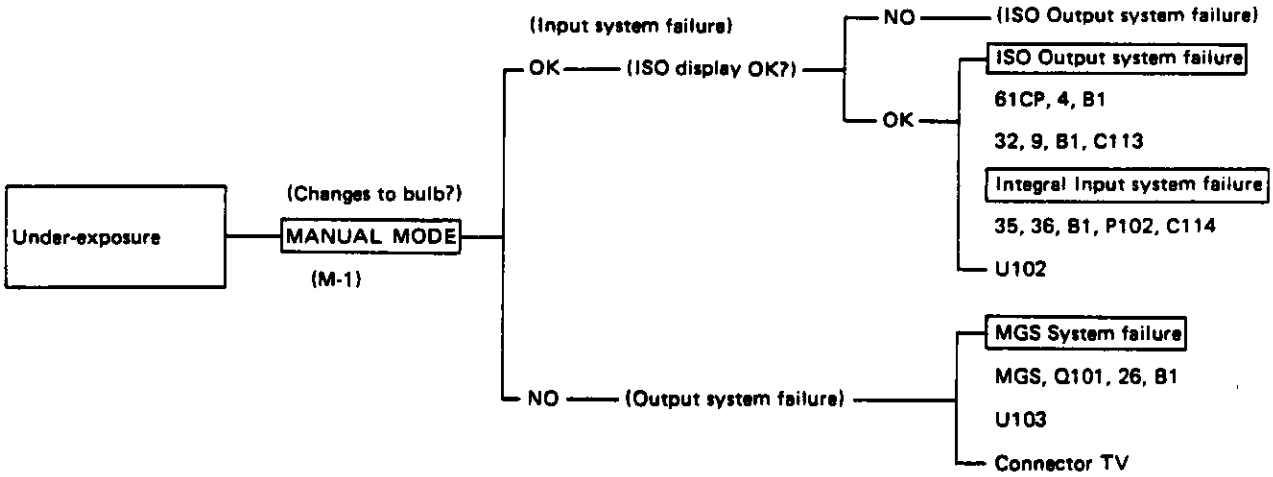
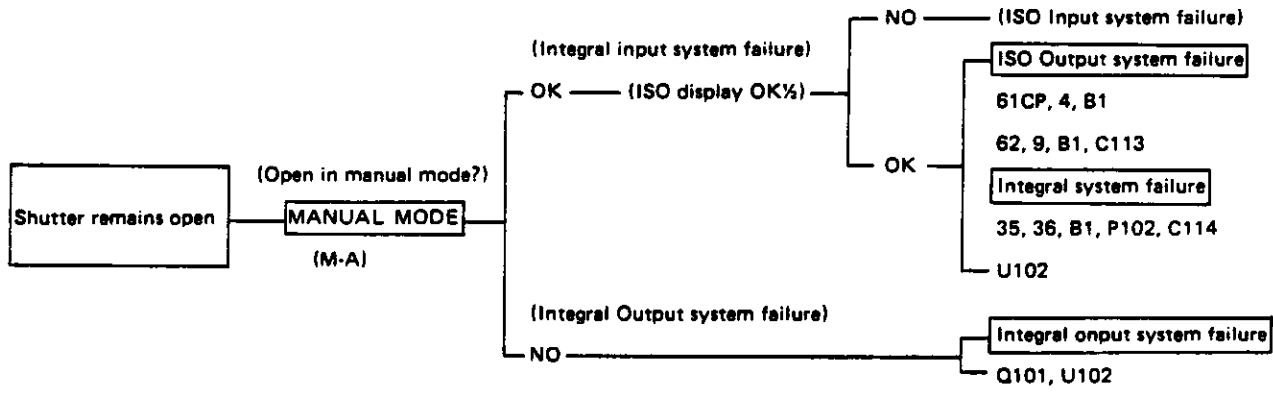




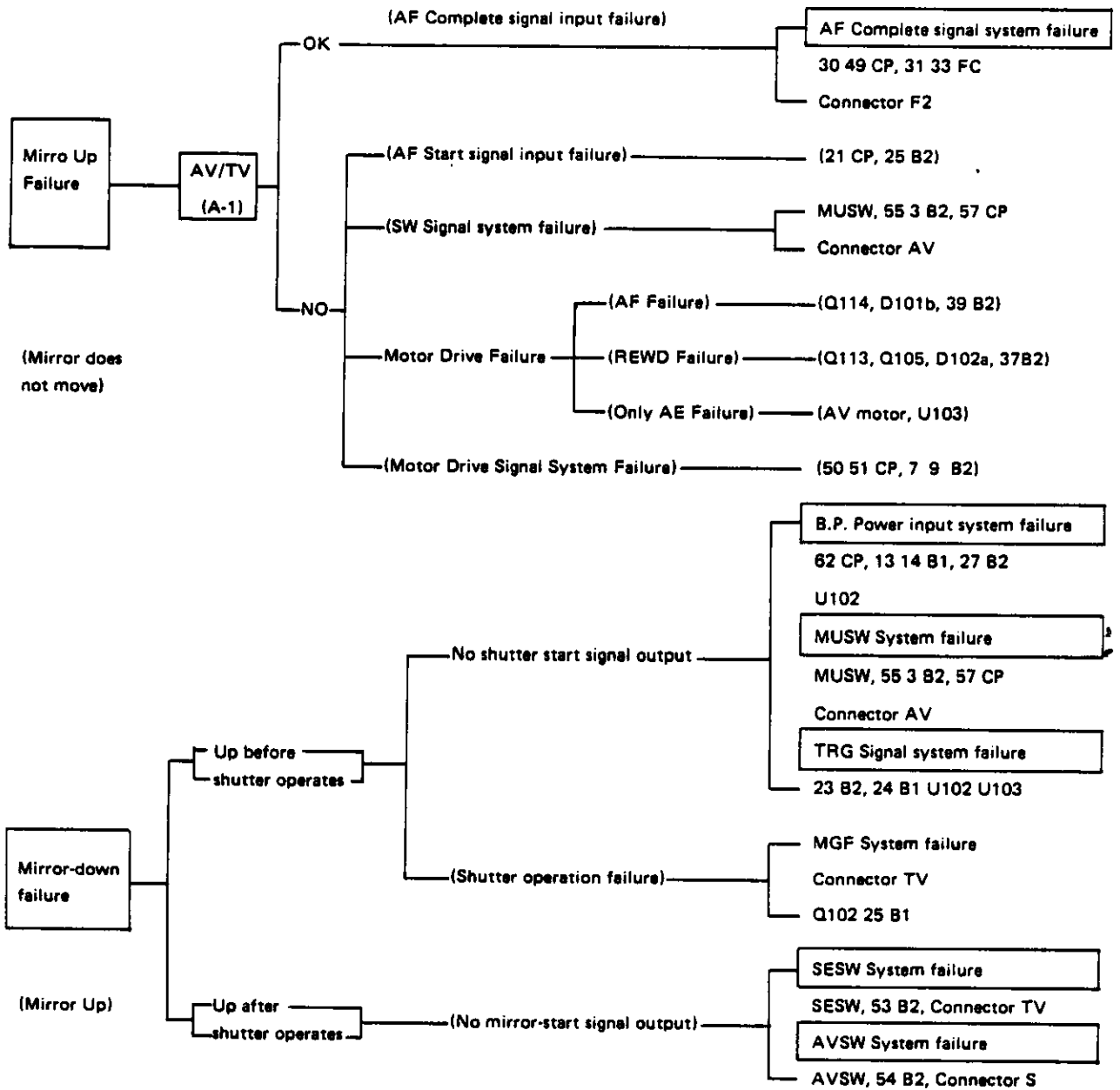
5. AE Operation Failure

◇ Discrimination

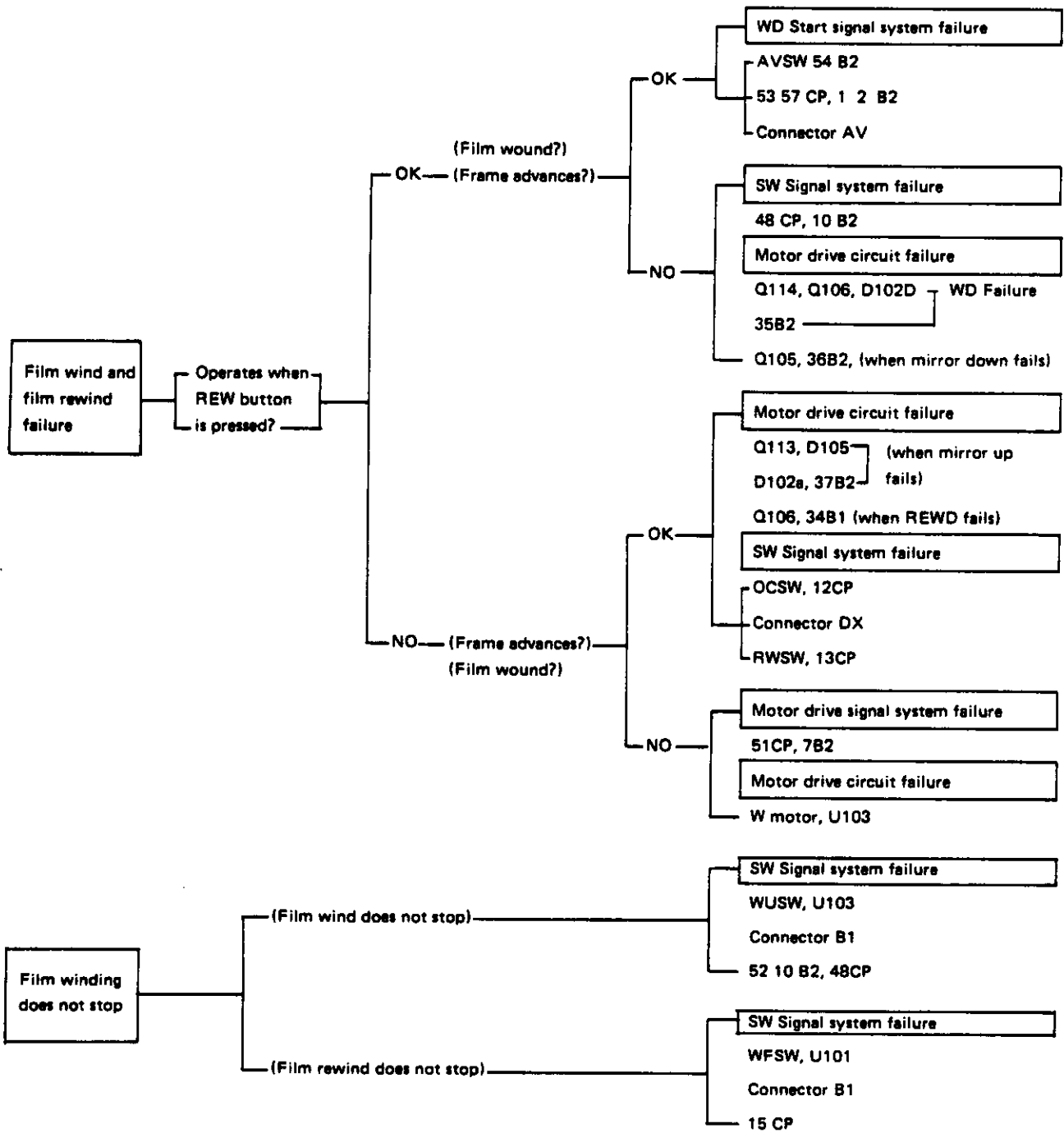




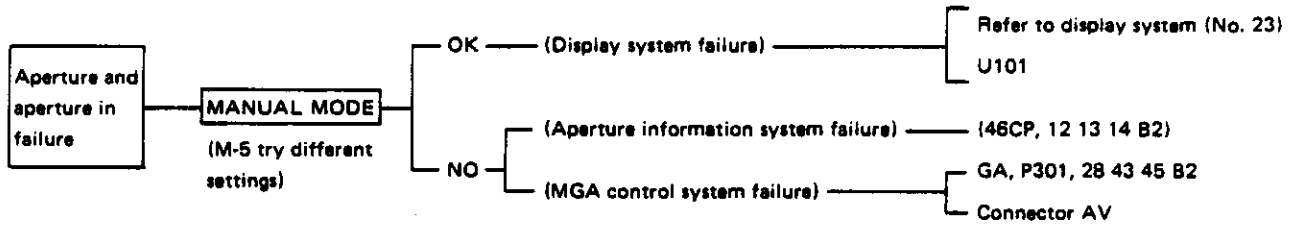
6. Mirror Operation Failure



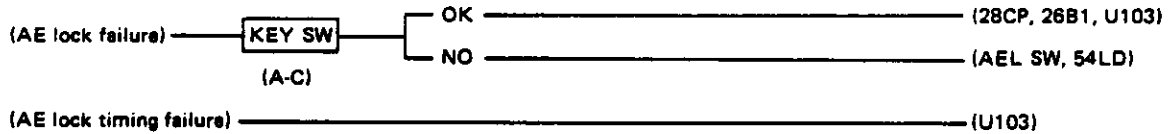
7. Film Wind and Film Rewind Failure



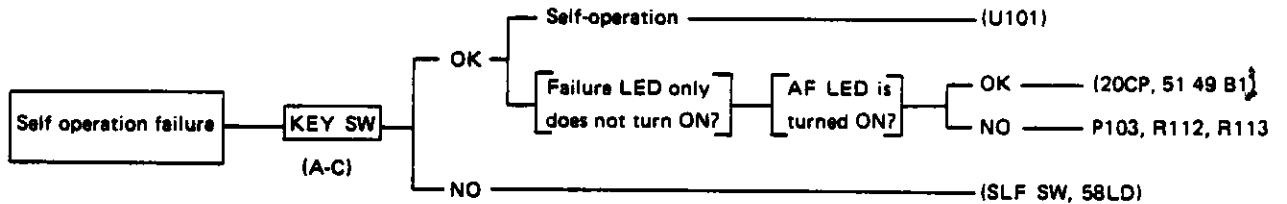
8. Aperture Operation Failure



9. AE Lock Operation Failure

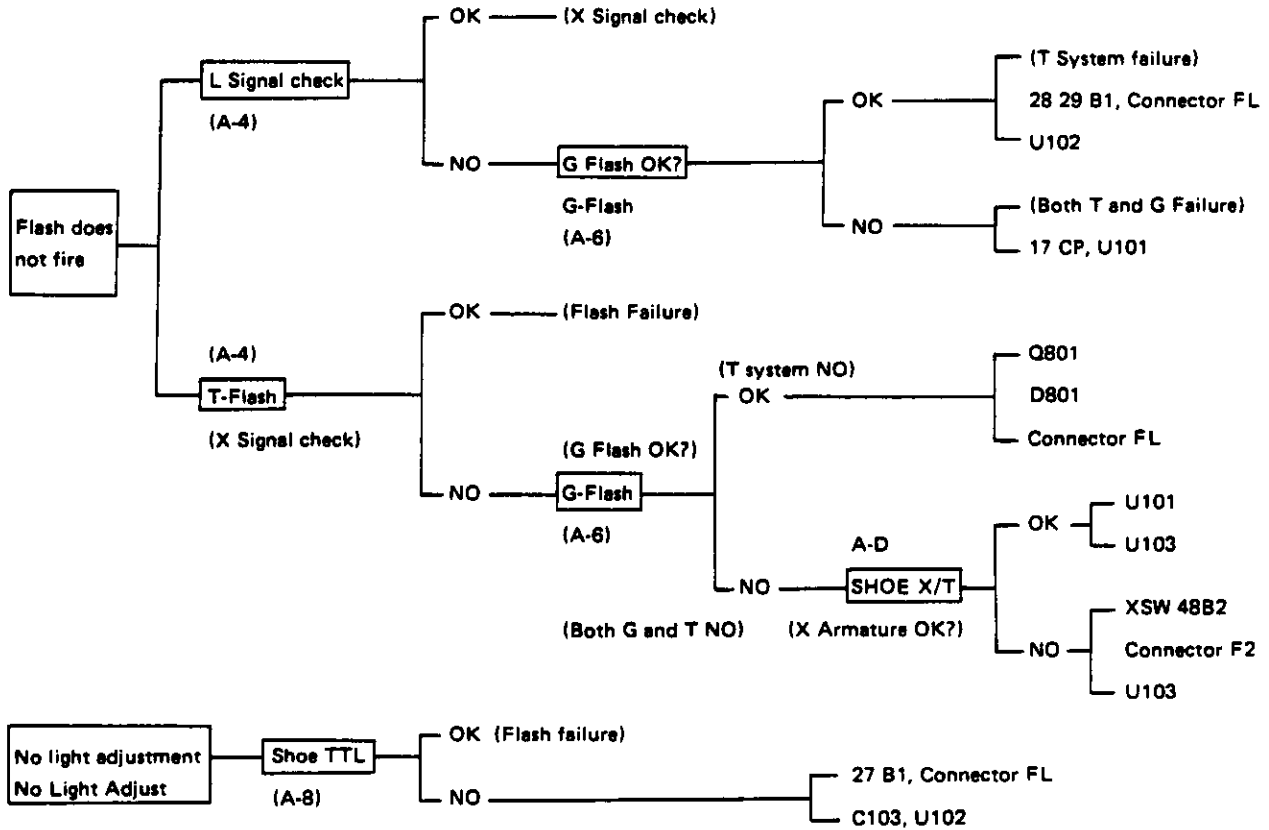


10. Self Operation Failure

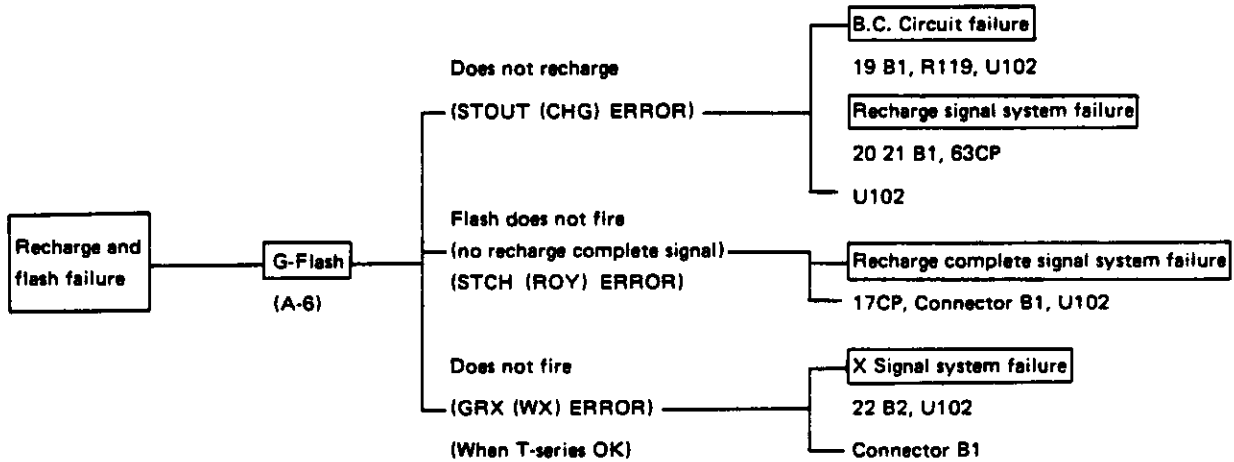


11. Flash Operation Failure

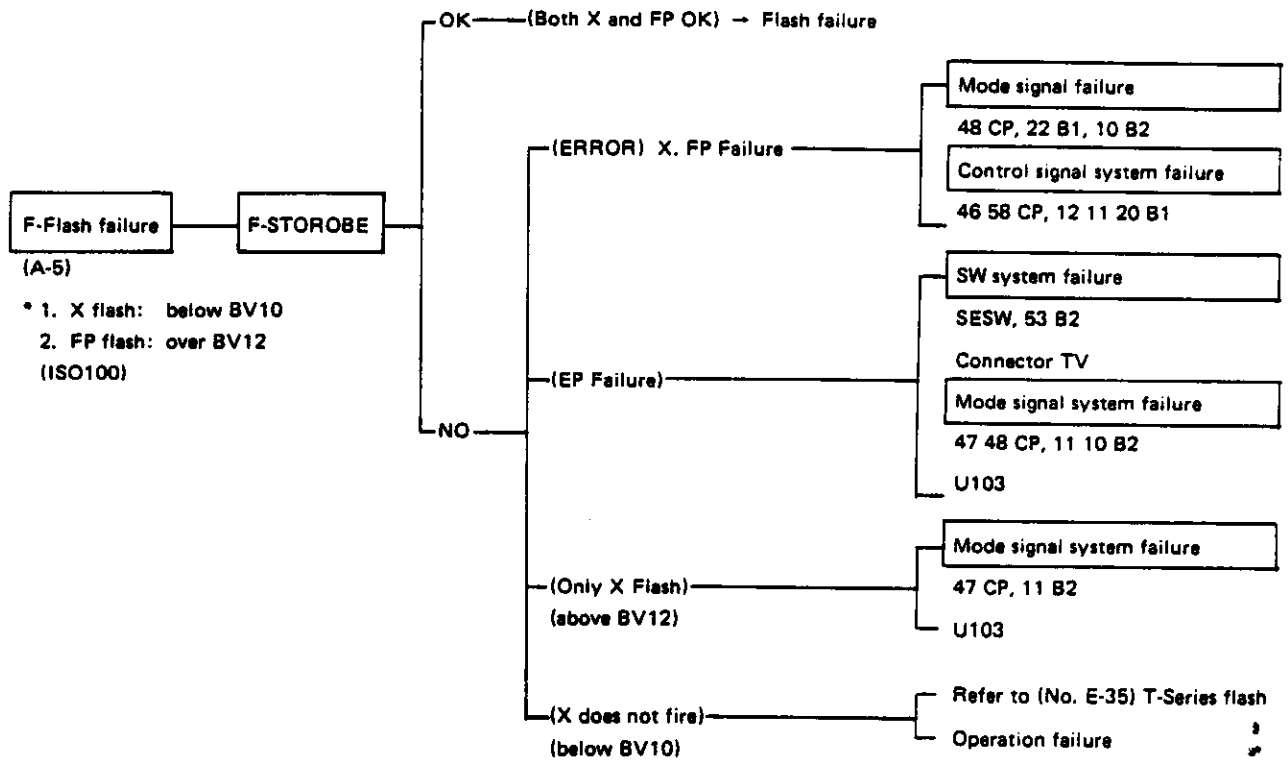
◇ T-Series Flash Operation Failure



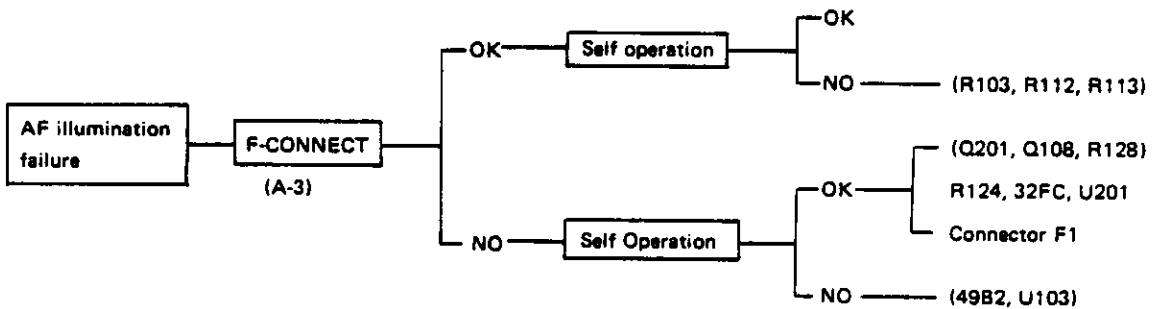
◇ G Flash Operation Failure



◇ F280 Flash Operation Failure



12. AF Illumination Failure





DESCRIPTION OF MECHANISM

;

I. DESCRIPTION OF MECHANISM

CONTENTS

1. PRODUCT DESCRIPTION	I-1
2. OUTLINE OF ELECTRICAL CIRCUIT	I-2
1. Block Diagram	I-2
2. Description of electronic parts	I-3
3. Flow chart	I-5
4. Power distribution	I-15
5. Serial communications	I-16
6. Time chart	I-17
3. DESCRIPTION OF MECHANICAL OPERATION	I-20
1. Operation of W motor	I-20
2. Operation of AV motor	I-23

1. PRODUCT DESCRIPTION

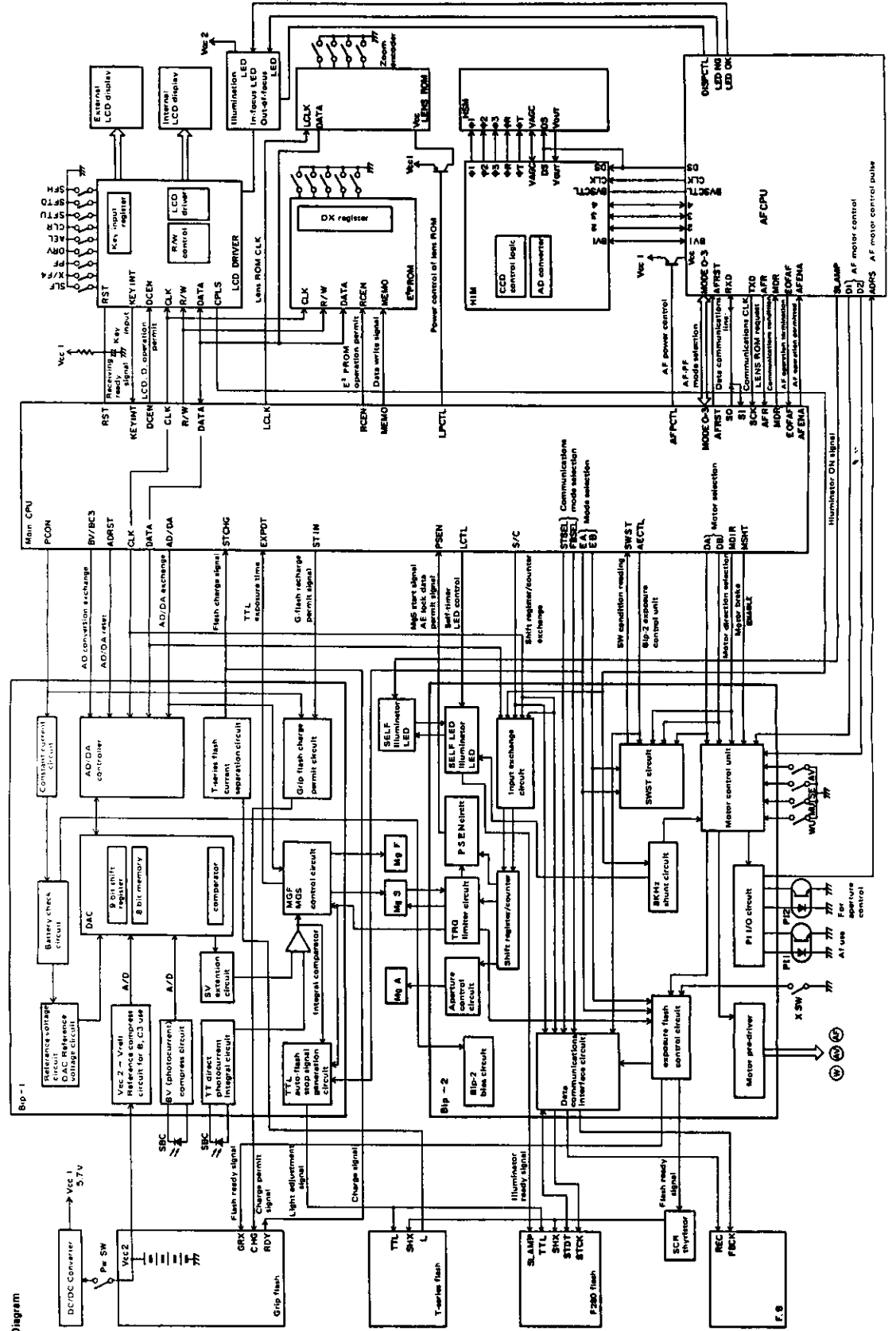
ADS 1 is a fully-automatic single-lens reflex camera which incorporates an auto-focus mechanism (TTL-PS zero-in type), programmed exposure, and a power flash grip, etc. In addition, when used together with a Flash 280, flash synchronization is possible with any shutter speed up to 1/2000 sec. The flash is designed to fire automatically at any brightness for shutter speeds below 1/100 sec.. While a Super FP flash is automatically selected for shutter speeds of over 1/100 sec..

The ADS 1 boasts the following features:

1. Completely automated picture taking is possible thanks to auto-focus, auto-loading, auto-film winding and auto-film rewinding.
2. The Super FP flash allows full-speed synchronization. The use of high-level automation makes day time synchronization simple.
3. Thanks to the grip flash, built-in flash capability is now achieved in a single lens reflex camera. The flash is always ready for use.
4. The AF mode is switchable to Single/Continuous.
5. A programmed exposure function makes problem-free photography a reality for everyone. In addition, it is possible to program any combination of aperture and shutter speed using the camera's program shift function.
6. With the help of built-in illumination, AF is now possible even in darkness.
7. In manual focusing situations, a built-in motor provides power-assisted focusing for the camera.
8. Frame counter, ISO and mode are displayed on a large, easy-to-read LCD panel which provides a multi-display function such as an interactive operation display.
9. Interchangeability is a key feature of the OM system. Exchange lens can be used in the aperture-preferred mode. TTL is available for flashes in the T series.
10. The camera's sophisticated electronic functions are controlled by two micro-computers.
11. Three entirely separate micro-motors are used for AF use, film winding and rewinding and aperture and mirror control.
12. With the help of static memory, exposure data is retained even after the batteries have been removed. From now on, the ADS1 will become the backbone of the new OLYMPUS AF single lensreflex system.

OUTLINE OF ELECTRICAL CIRCUIT

1. Block Diagram



2. Description of electronic parts

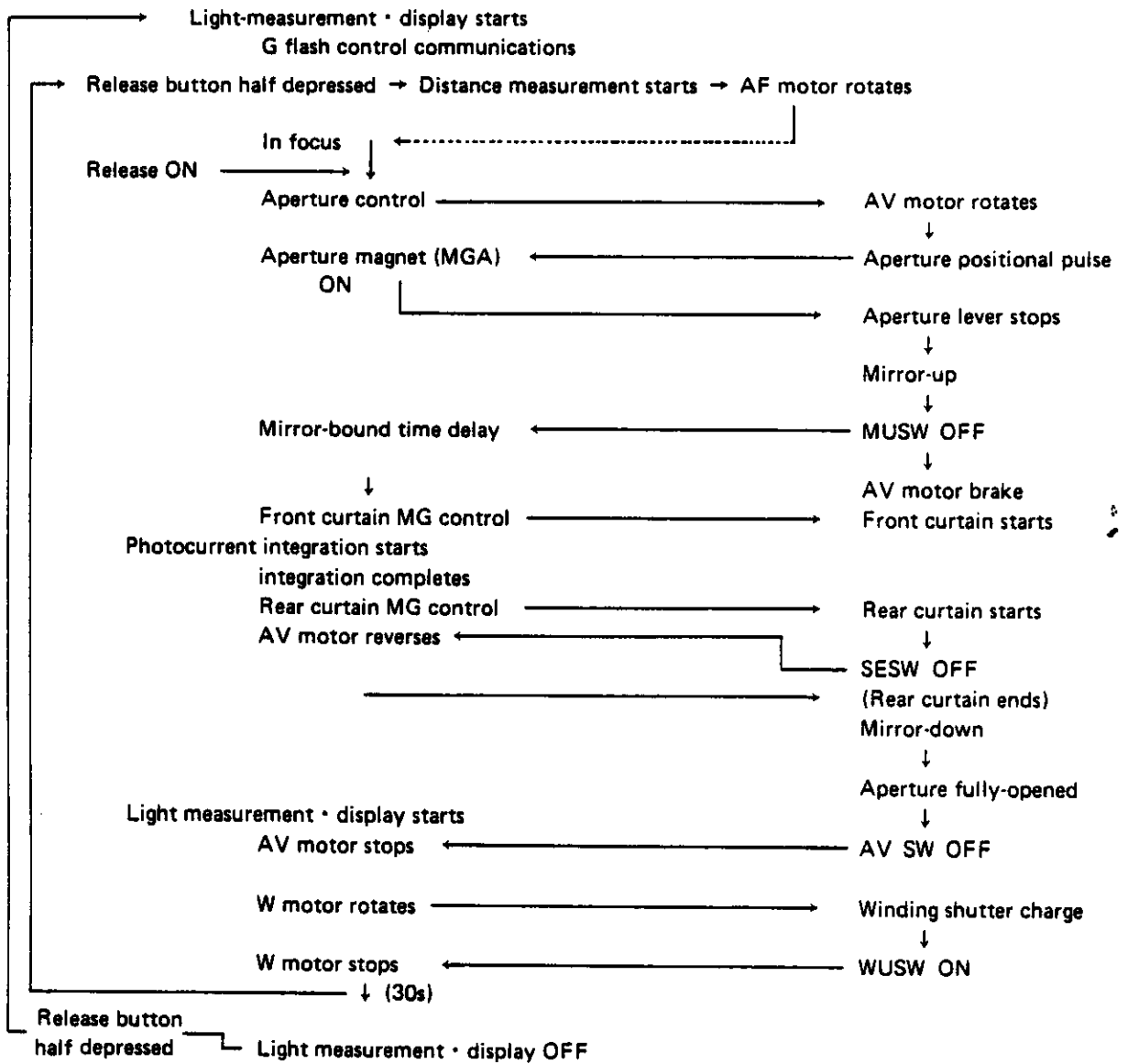
Designation	Function	Description
Bip-1	<ul style="list-style-type: none"> • Photocurrent compress A/D • Direct integral • D/A Determination voltage rebuild • Power voltage check • Flash interface 	<ul style="list-style-type: none"> • B.C. 1 Carry out B, C of V_{CC1}, all bias off when $V_{CC1} < 5.0V$ • B.C. 3 Used for display. Compress voltage of V_{CC2}. • Flash BC Used for power flash grip. Prohibit flash recharging when $V_{CC2} < 2.6V$ • PCON Power control signal from MCPU. Control Bip 1 and power flash grip.
Bip-2	<ul style="list-style-type: none"> • Motor control • Magnet control • Sequence control (counter + SW input) • P.I. interface 	<ul style="list-style-type: none"> • DA, DB Motor selection • MDIR Specifies rotating direction of AV, WIND motor. • MSHT Brake of AV, WIND motor • EA, EB Control of exposure mode • S/C Exchange signal of shift register/counter MCPU ↔ Flash communications direction exchange • PSEN AE lock data permit signal • SWST Outputs the condition of M, U, SW, SESW, WUSW, and AVOSW.
E ² PROM	<ul style="list-style-type: none"> • Adjustment data • Frame counter data • DX input 	<ul style="list-style-type: none"> • RCEN Operation permitted signal for E² PROM • R/W Exchange signal of read and write for E² PROM • MEMO Write signal for data
Display I.C	<ul style="list-style-type: none"> • LCD driver • Key input 	<ul style="list-style-type: none"> • DCEN LCD. D. operation permitted signal
Lens ROM	<ul style="list-style-type: none"> • Focal distance • F number 	
Main CPU	<ul style="list-style-type: none"> • Main sequence control 	
AF CPU	<ul style="list-style-type: none"> • AF control 	<ul style="list-style-type: none"> • MODEO 0 ~ 3 AF. PF mode selection signal • TXD Communications CLK signal • EOF AF AF operation termination signal • AFENA AF operation permitted signal • AFR LEWS ROM request signal

○ Switches

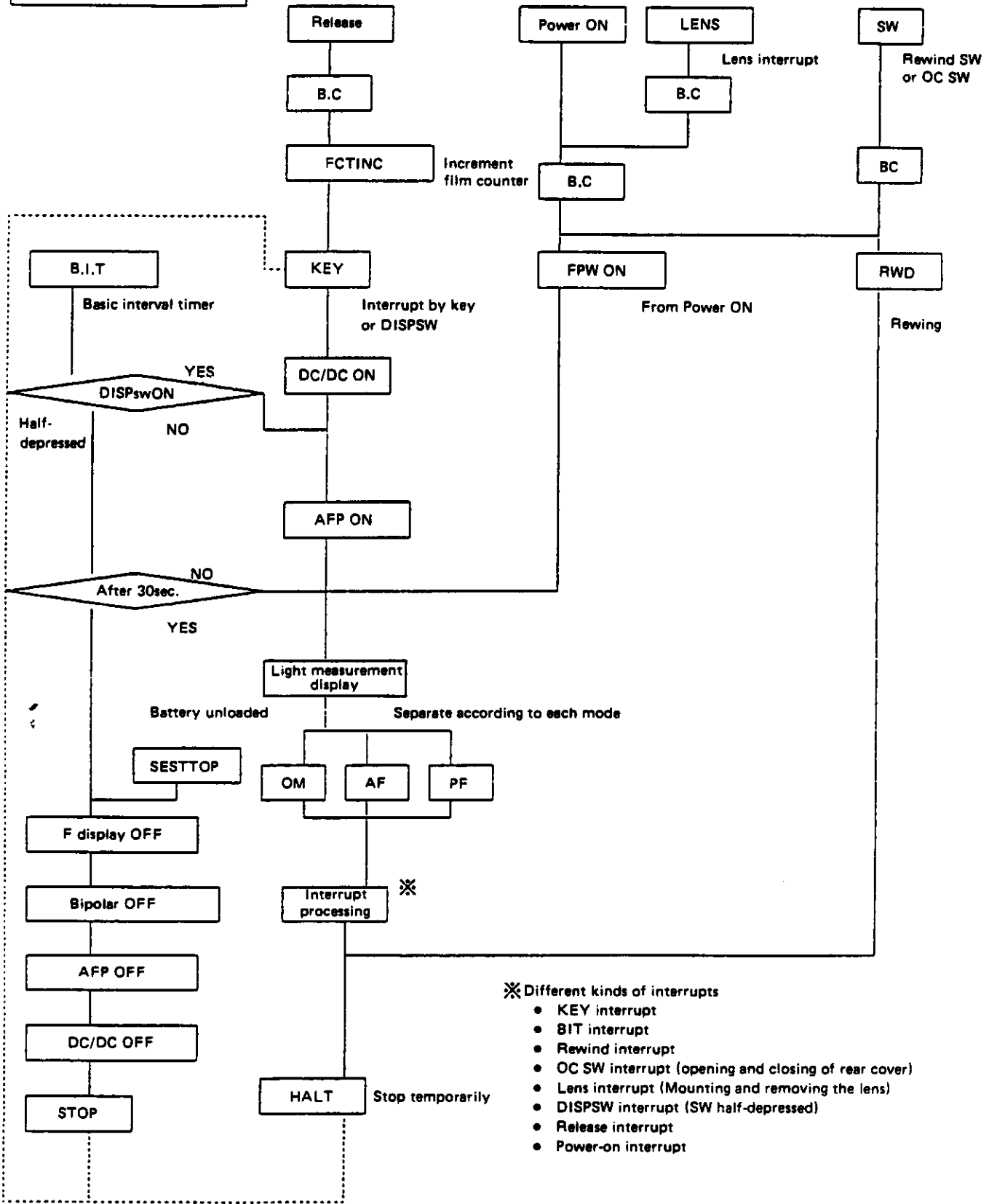
- | | | |
|------------|---|--|
| 1) PW SW | Power switch | Power on by OFF → ON |
| 2) REL SW | Release sequence start | Start by OFF → ON |
| 3) DISP SW | Display starts | Displays by OFF → ON |
| 4) BM SW | New series lens detection | OFF when new lens is mounted or when no lens is mounted
ON when conventional lens is mounted or when lens lock button is depressed. |
| 5) OC SW | Rear cover open/closed | ON → OFF when rear cover is closed |
| 6) WF SW | Film advance display | OFF · ON is displayed 3 times for each frame |
| 7) WU SW | W motor rotation terminates | OFF → ON when film winding completes
ON → OFF while mirror is being raised |
| 8) AV SW | AV motor reverse terminates
W motor rotations starts | ON → OFF when aperture is fully-opened |
| 9) MU SW | AV motor rotation terminates
Shutter's front curtain starts
Flat flash starts | ON → OFF after mirror up is completed |
| 10) SE SW | AV motor reverse starts
Flat flash terminates | ON → OFF when rear curtain movement is completed |
| 11) RW SW | Rewind starts | ON while rewinding
ON → Off when rear cover is open |
| 12) DX SW | Reads DX film code | ON when no film cartridge is inserted |

3. Flow chart

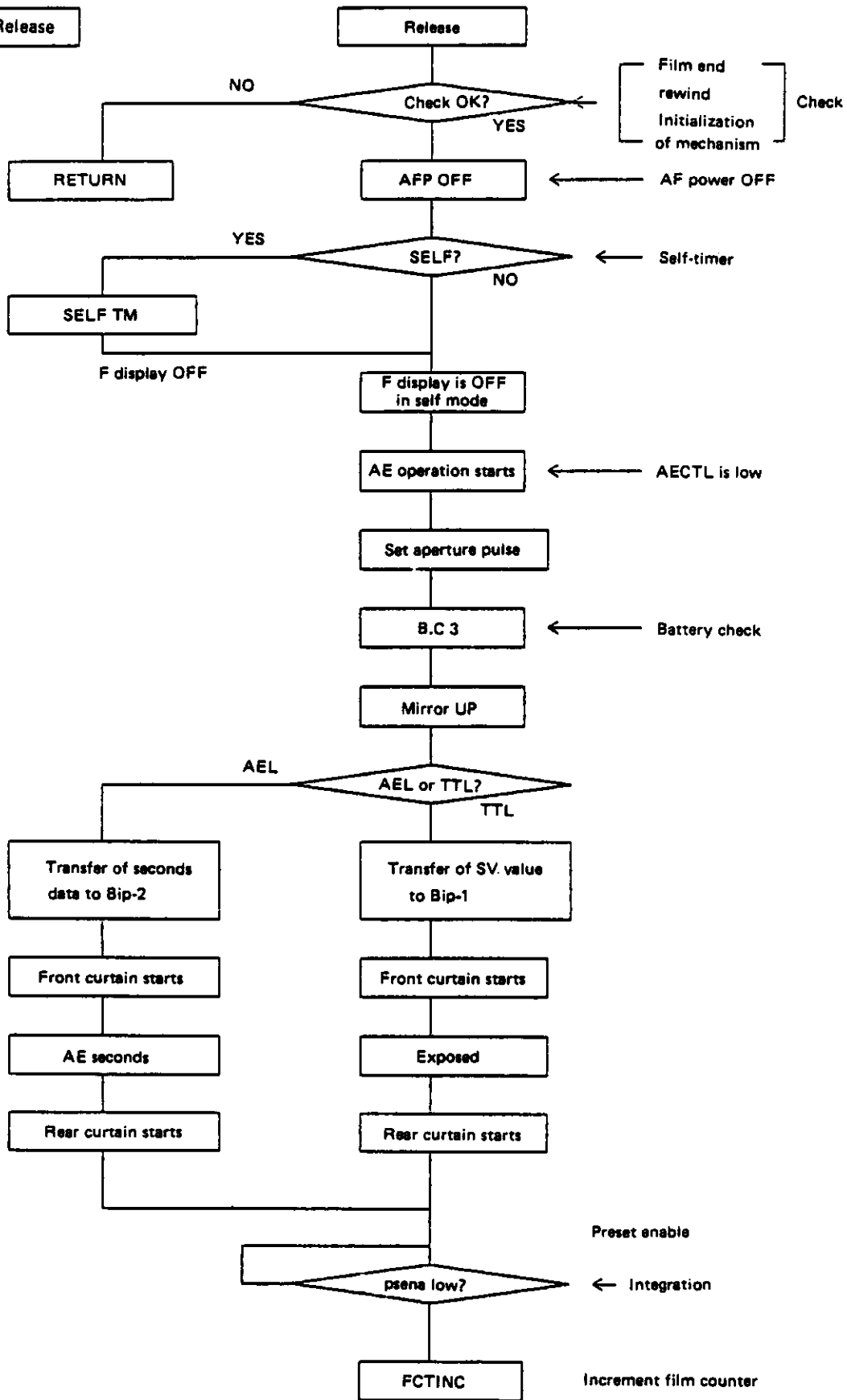
1. Overall operation → Single AF · AF lens · Programmed AE
 Power switch ON → DC/DC Conv main CPU starts
 AFCPU starts → Lens is set to ∞ by AF motor drive



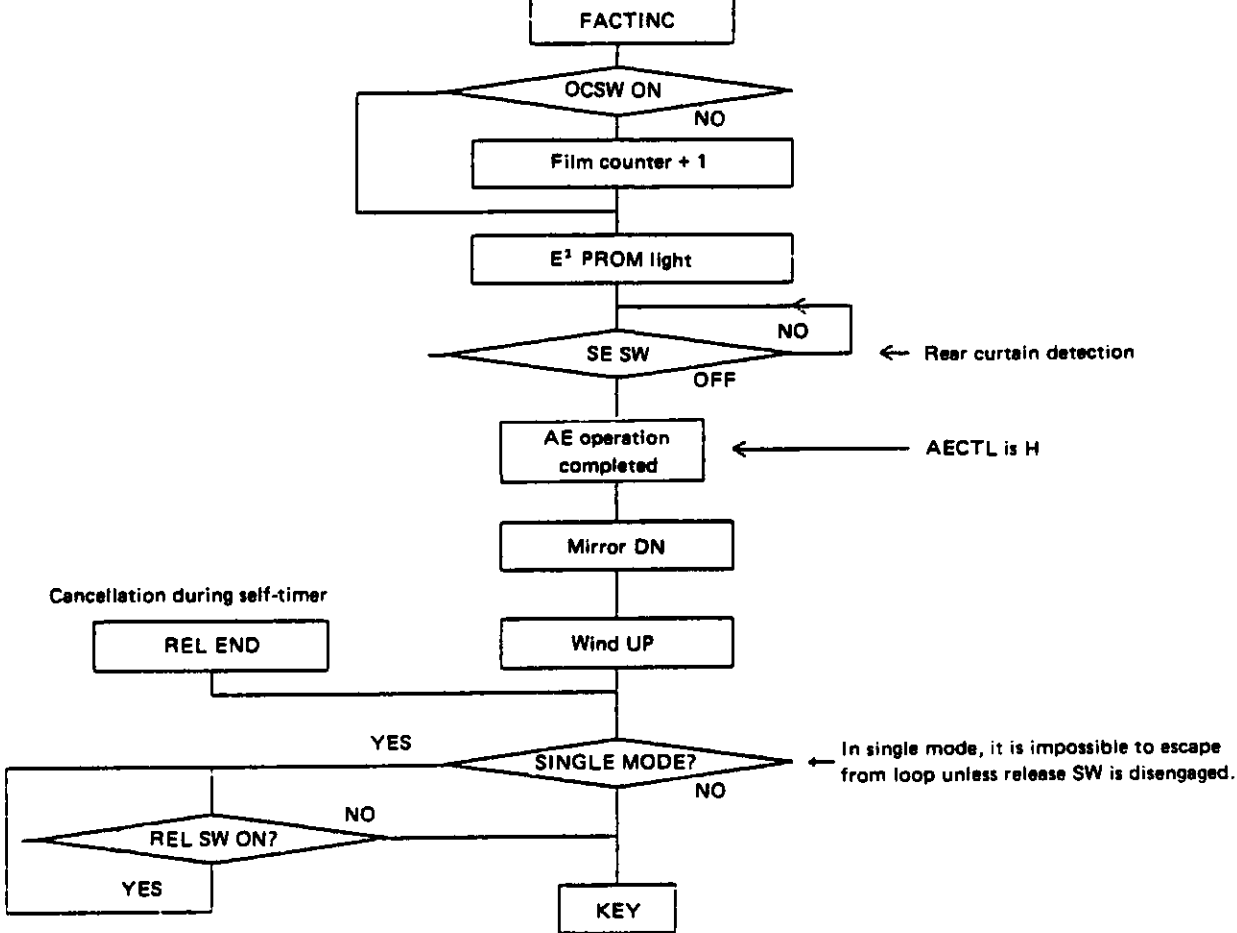
2. Overall flow chart



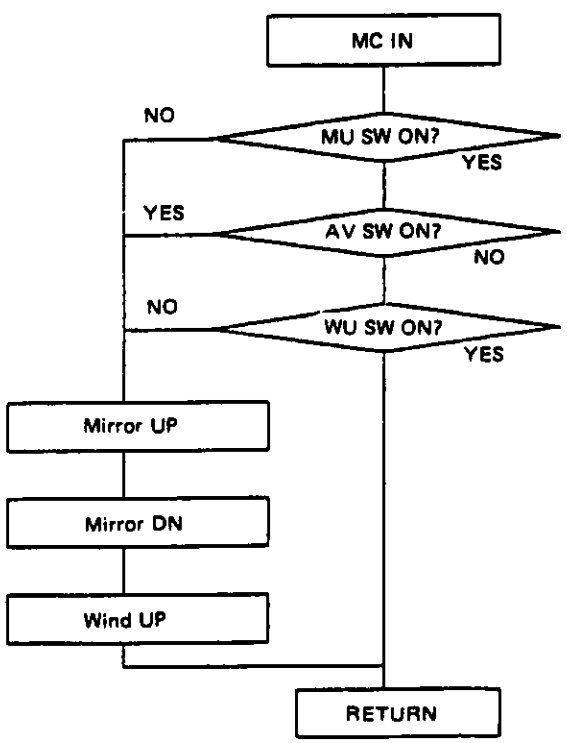
3. Release



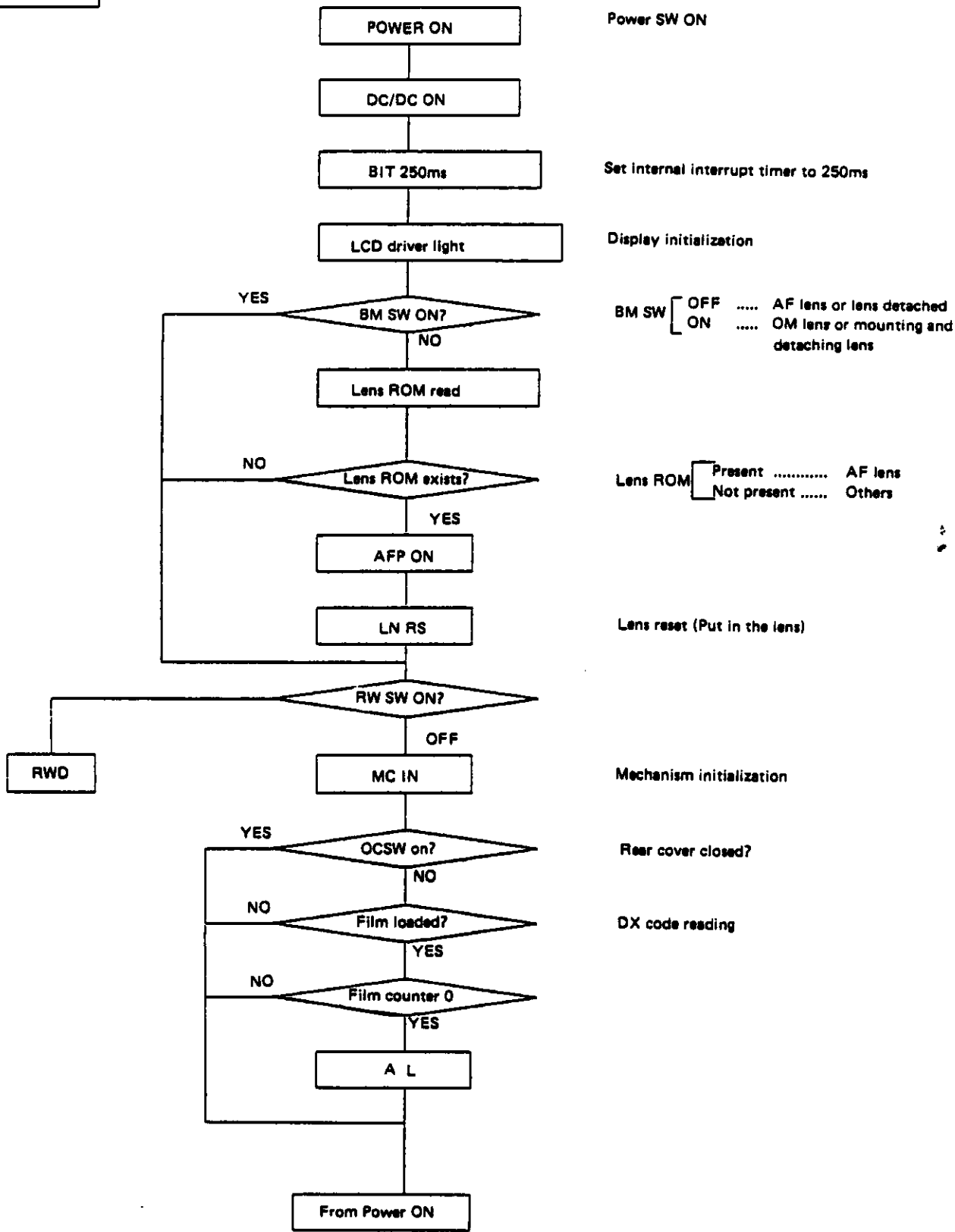
4. Increment film counter



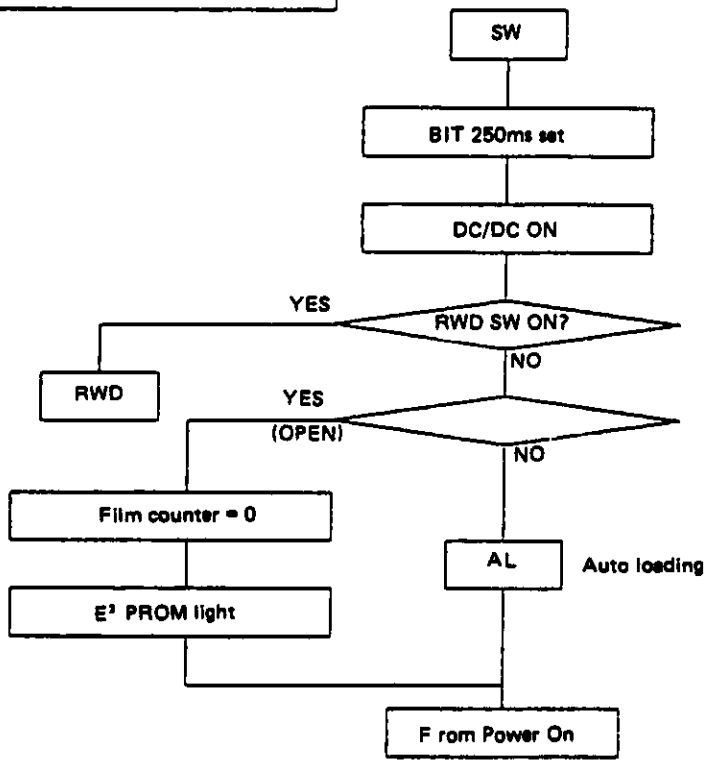
5. Mechanism initialization



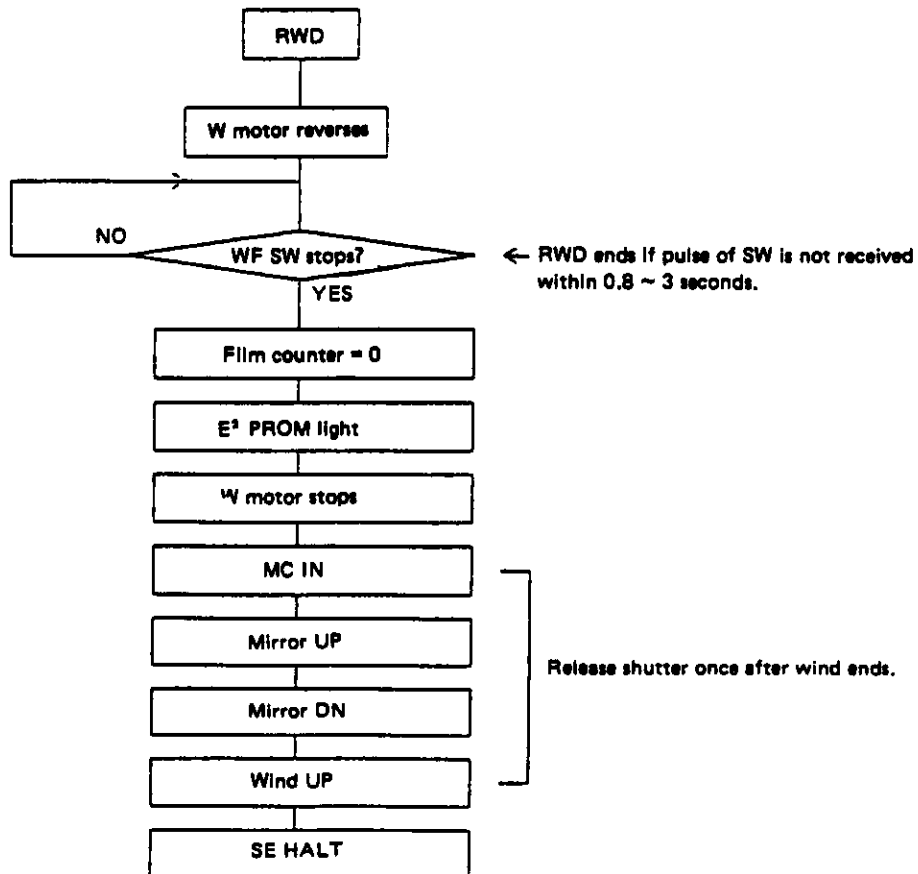
6. Power ON



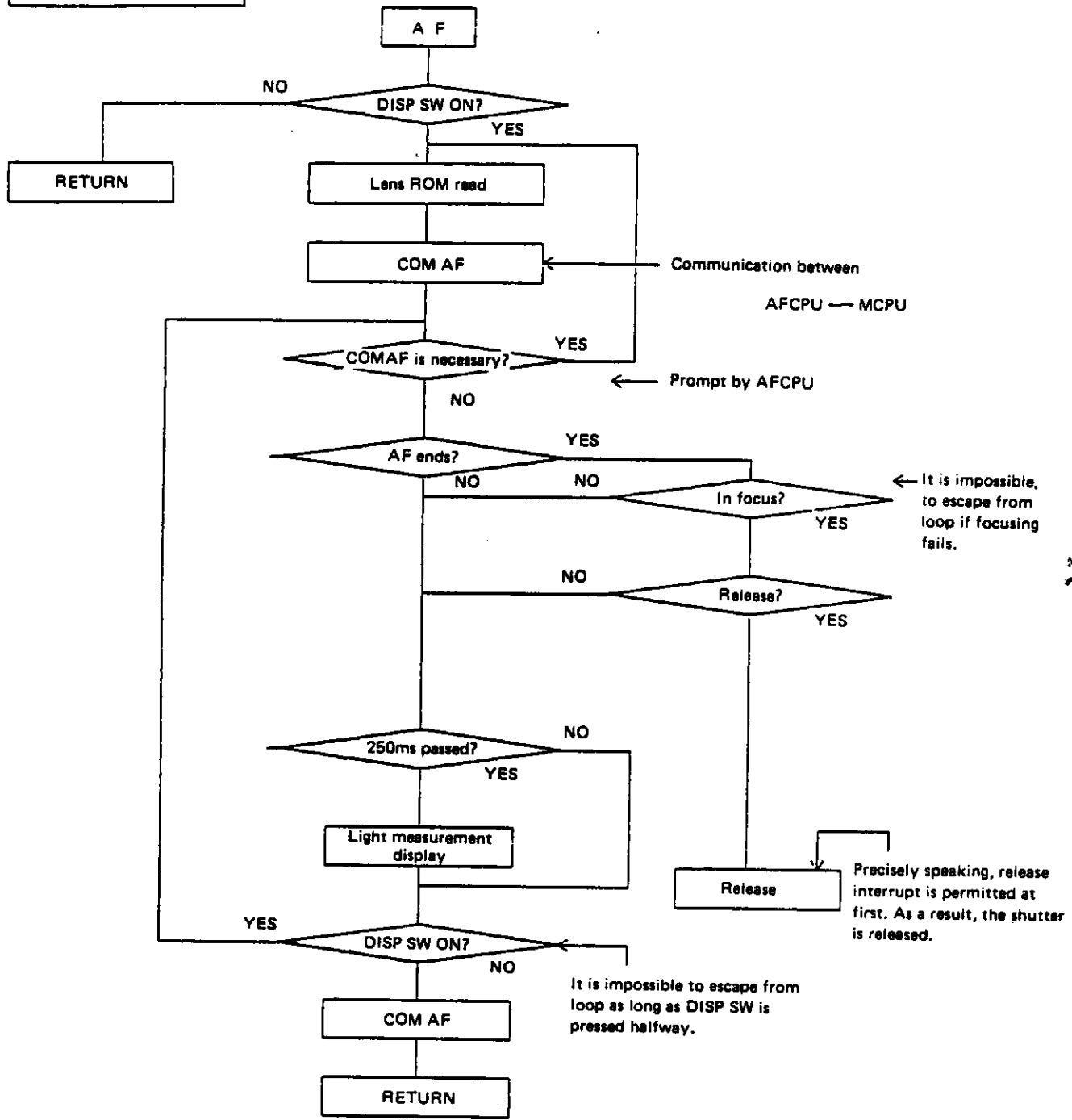
7. Film rewind, rear cover SW interrupt



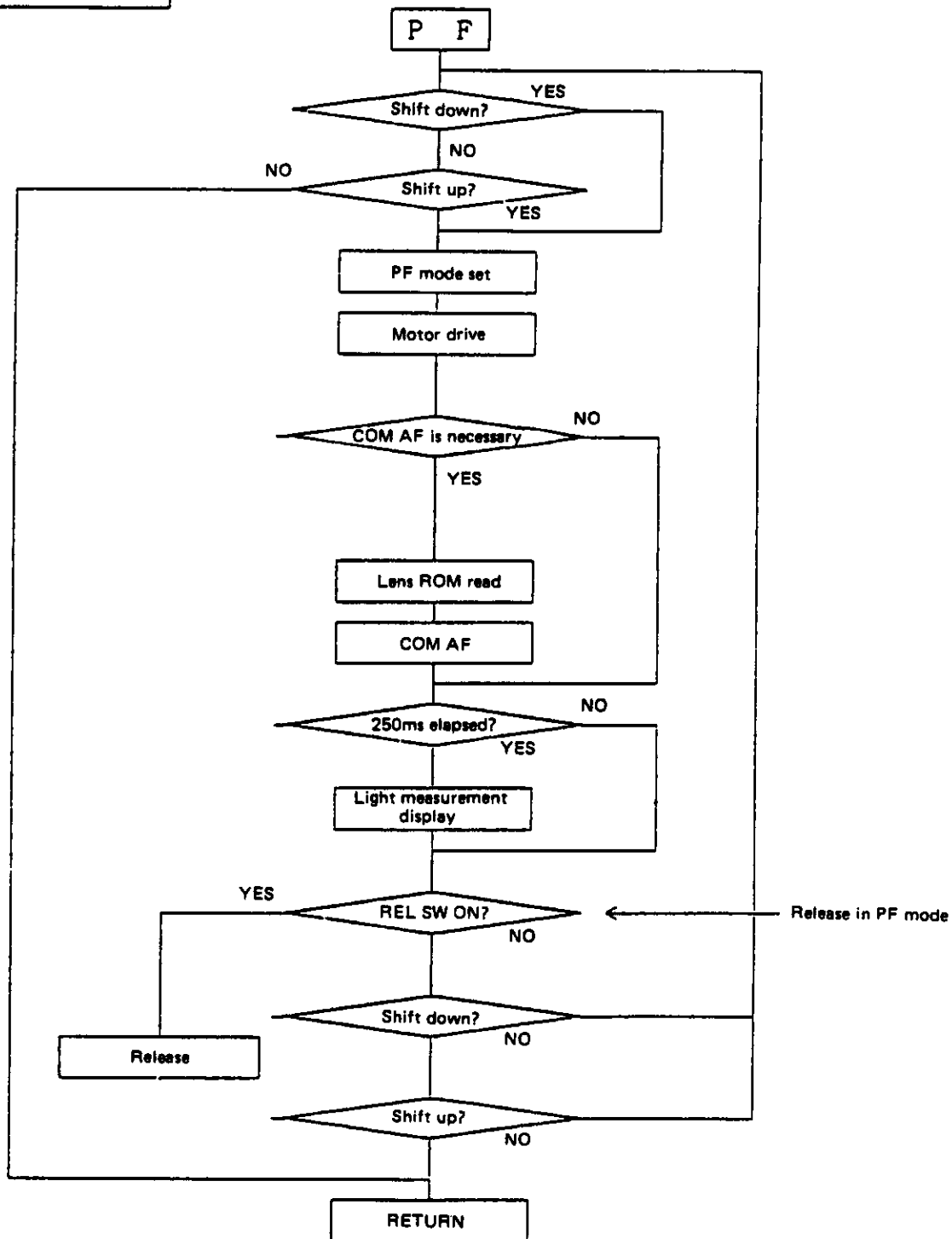
8. Rewind



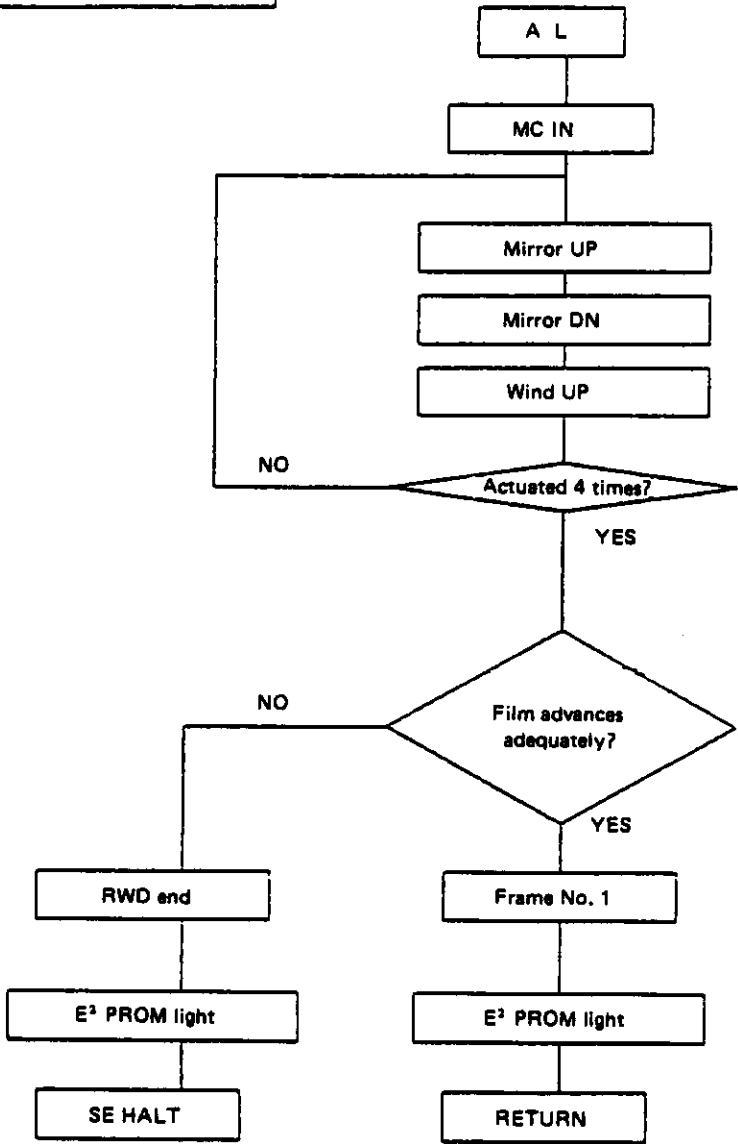
9. Auto Focus



10. Power Focus

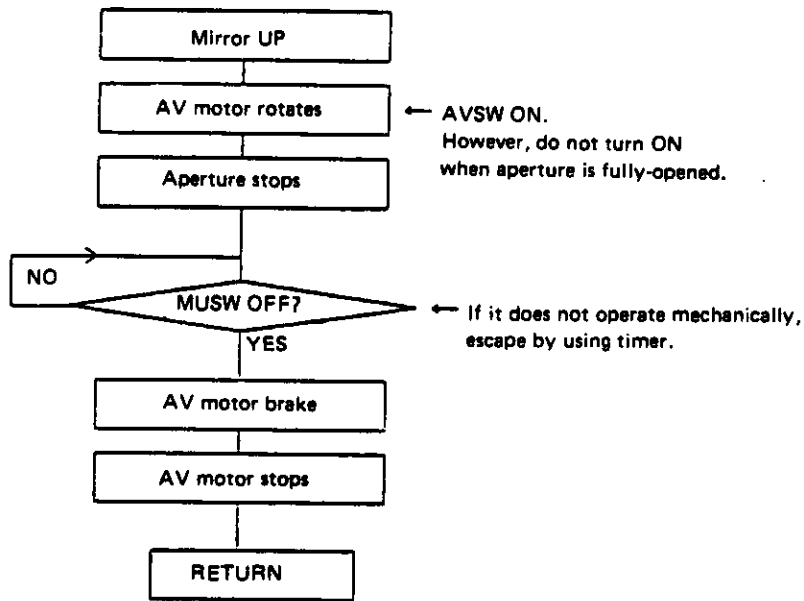


11. Auto loading

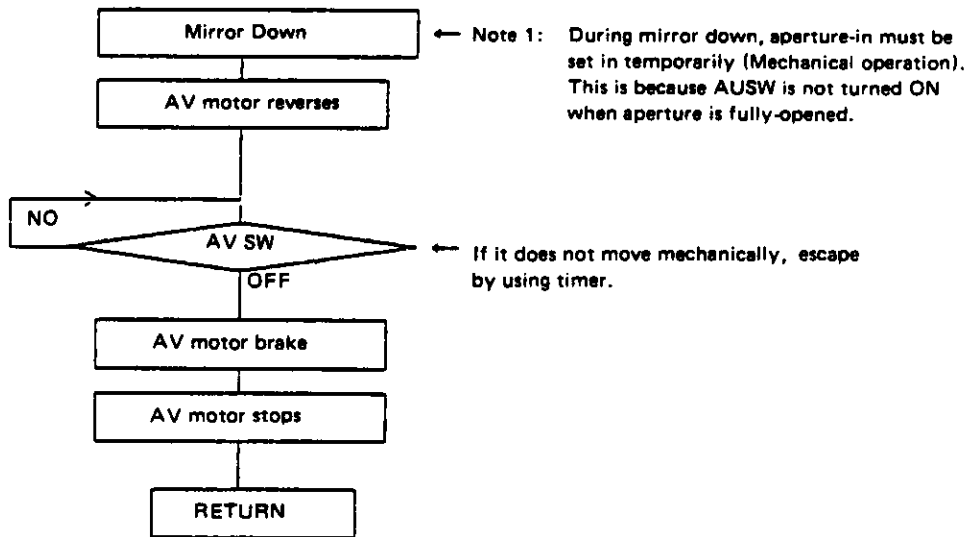


Pulses are counted by film transport SW
(Pulse No. more than 10)

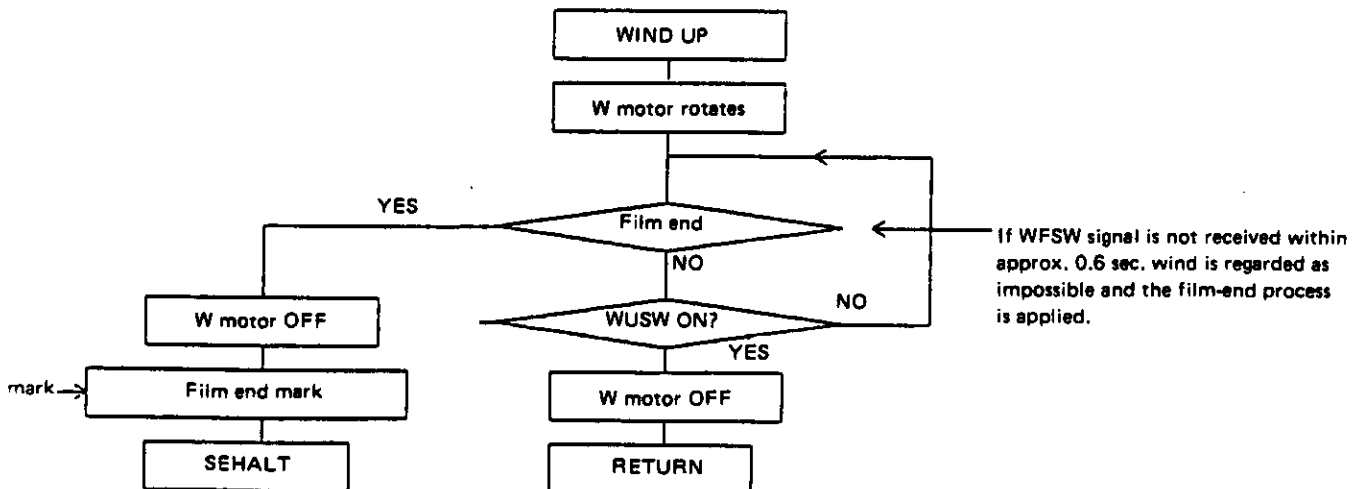
12. Mirror up



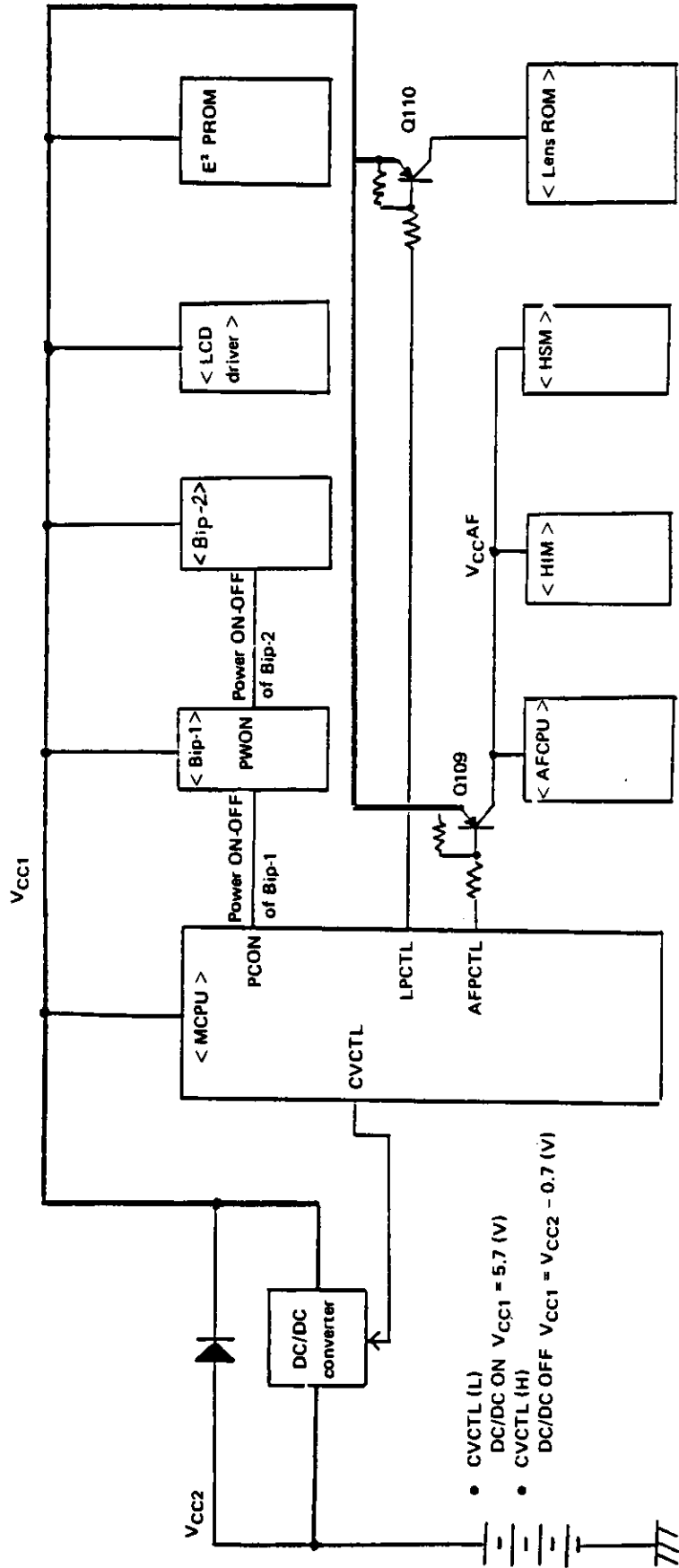
13. Mirror down



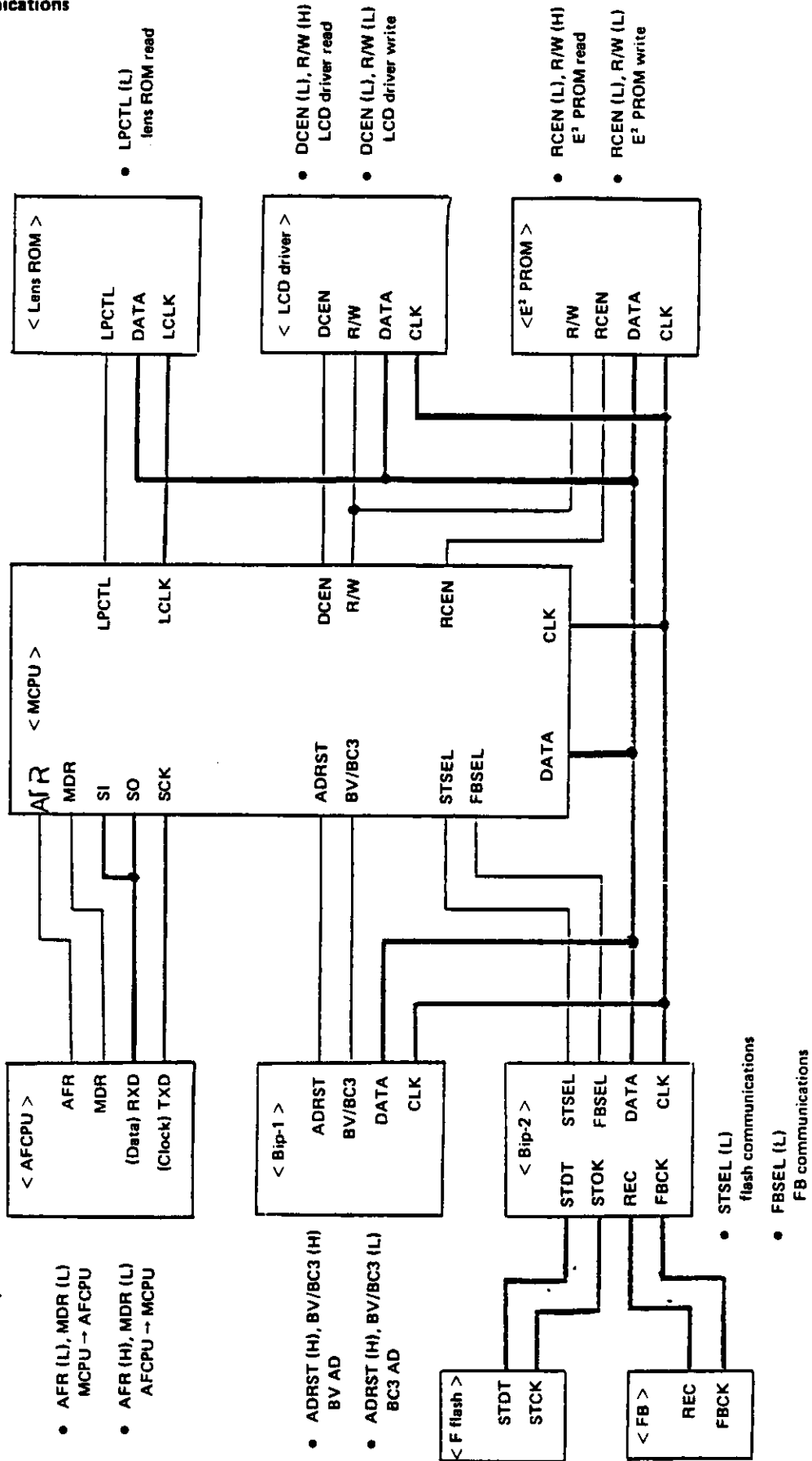
14. Wind up



4. Power distribution

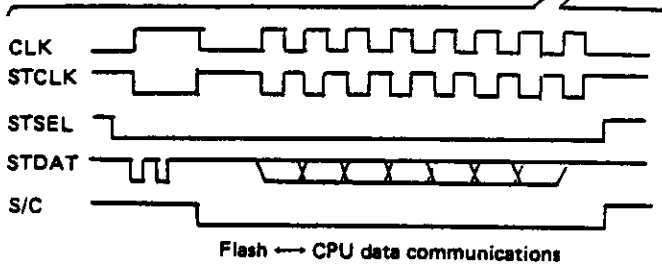
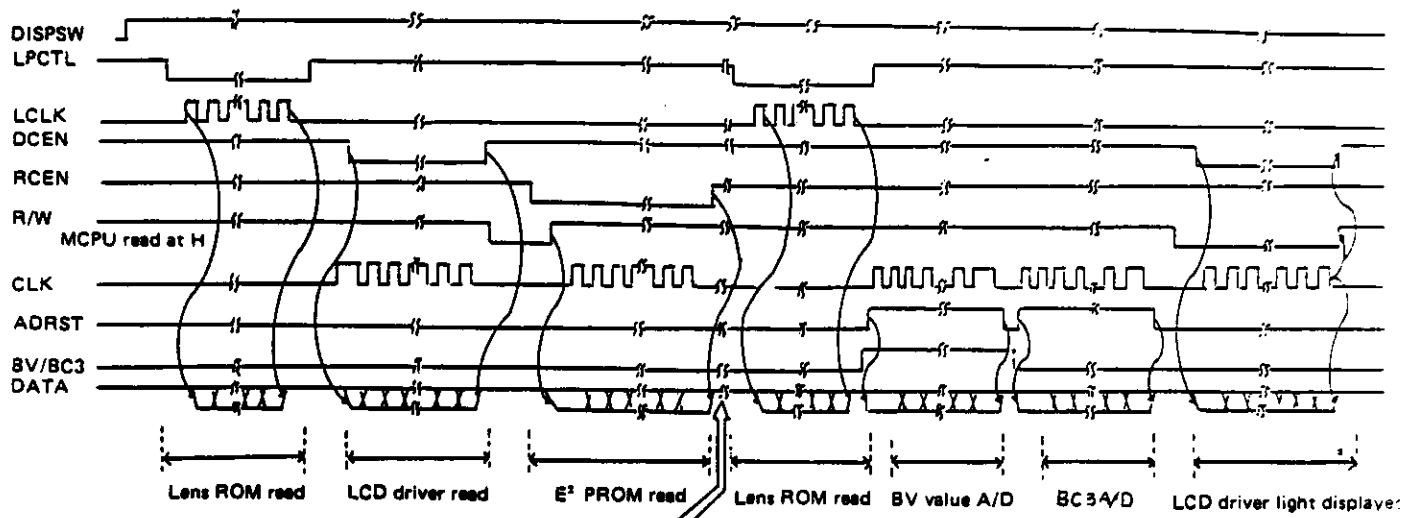


5. Serial communications

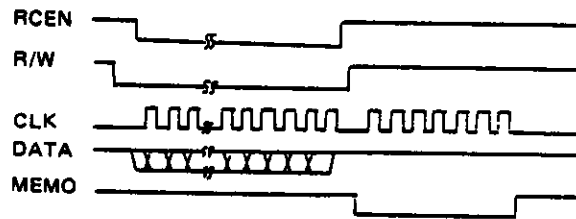


6. Time chart

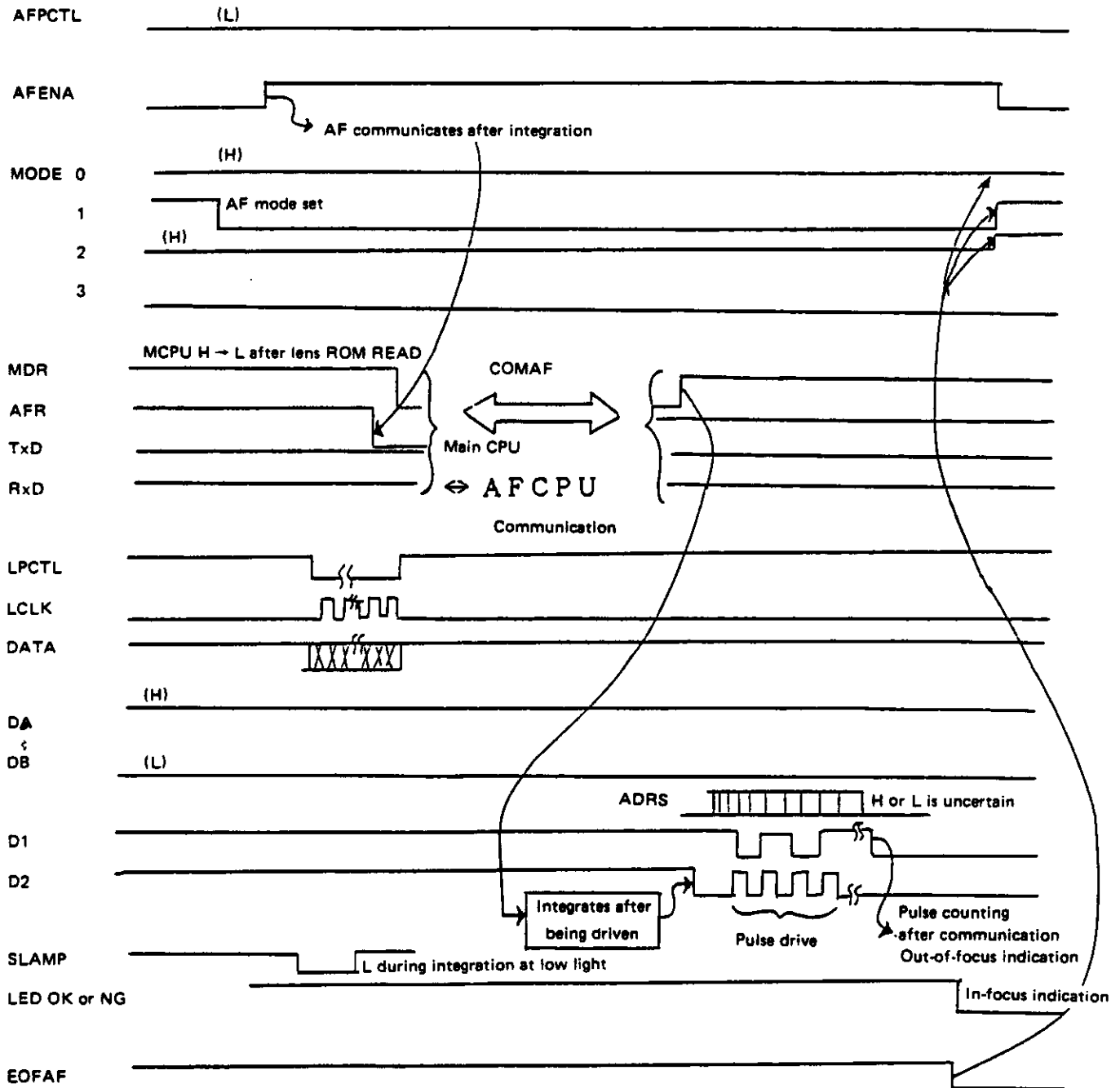
1 During display



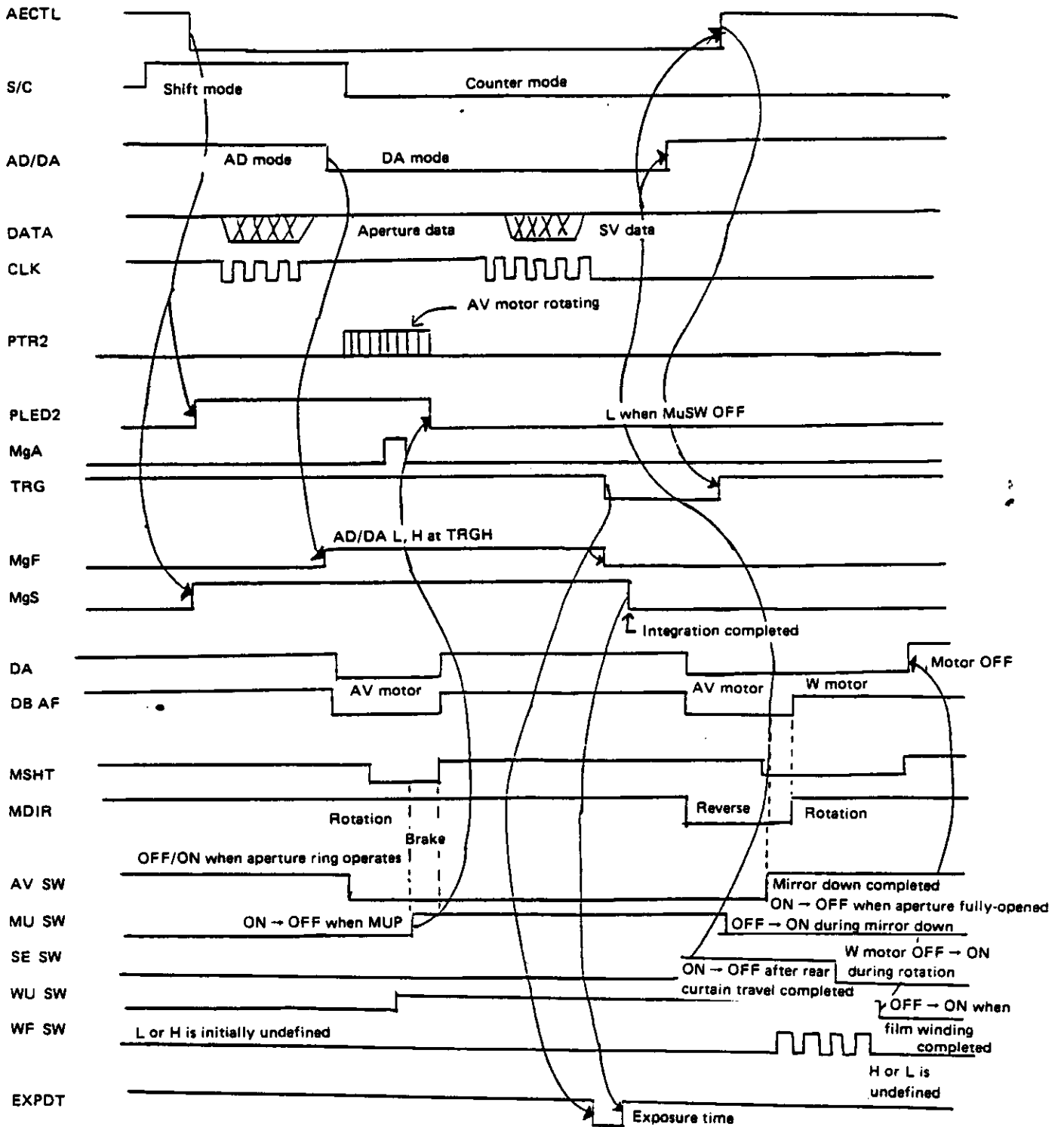
E² PROM WRITE



2. AF single mode



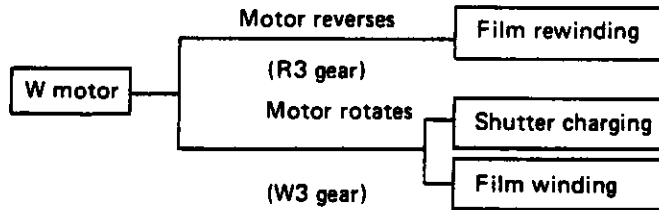
3. TTL direct light measurement → Film winding complete



3. DESCRIPTION OF MECHANICAL OPERATION

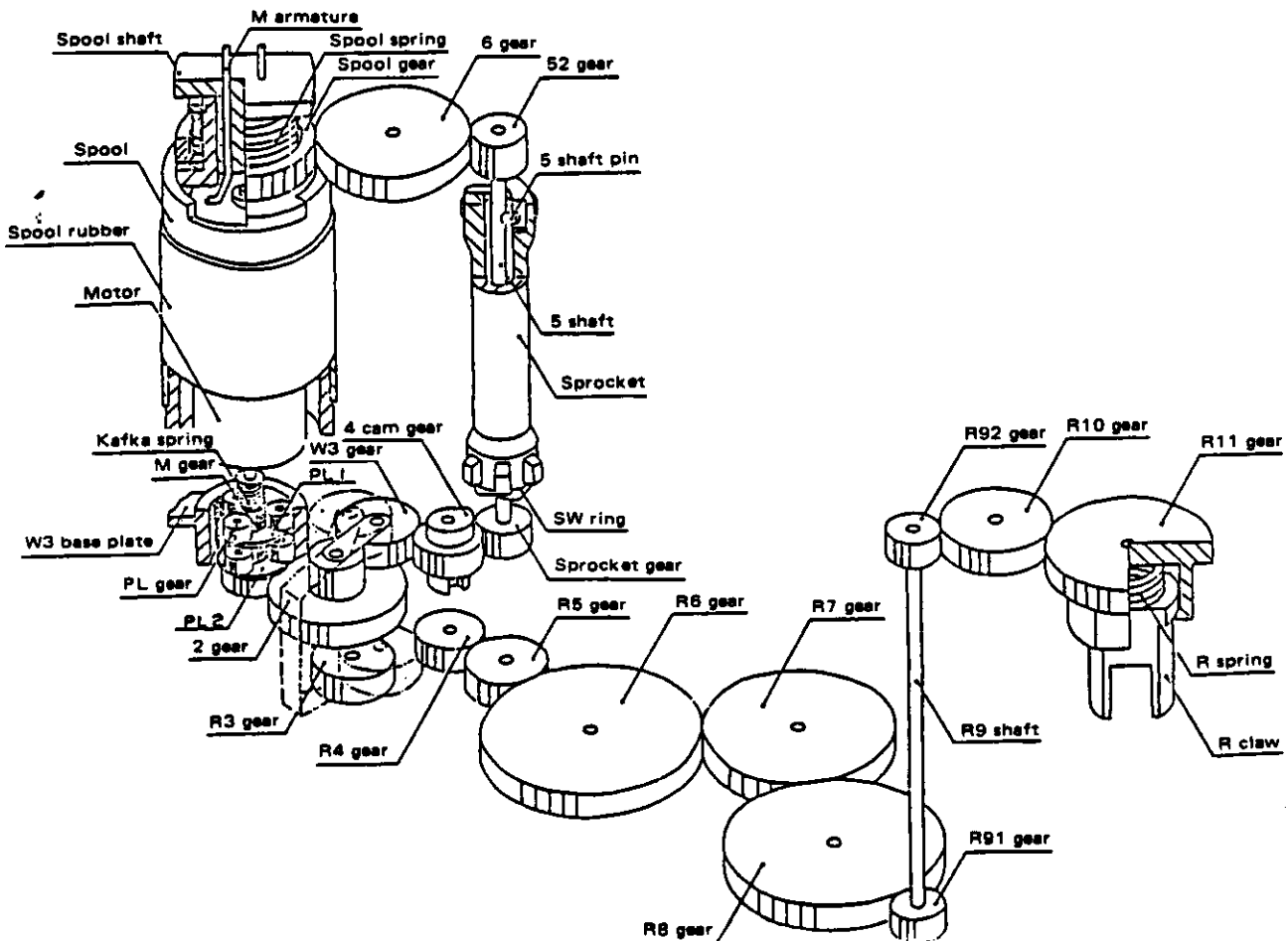
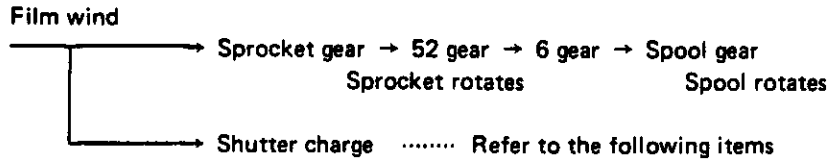
1. Operation of W motor

Functions of W motor: 1. Shutter charging 2. Film winding 3. Film rewinding



1. Shutter charging and film winding

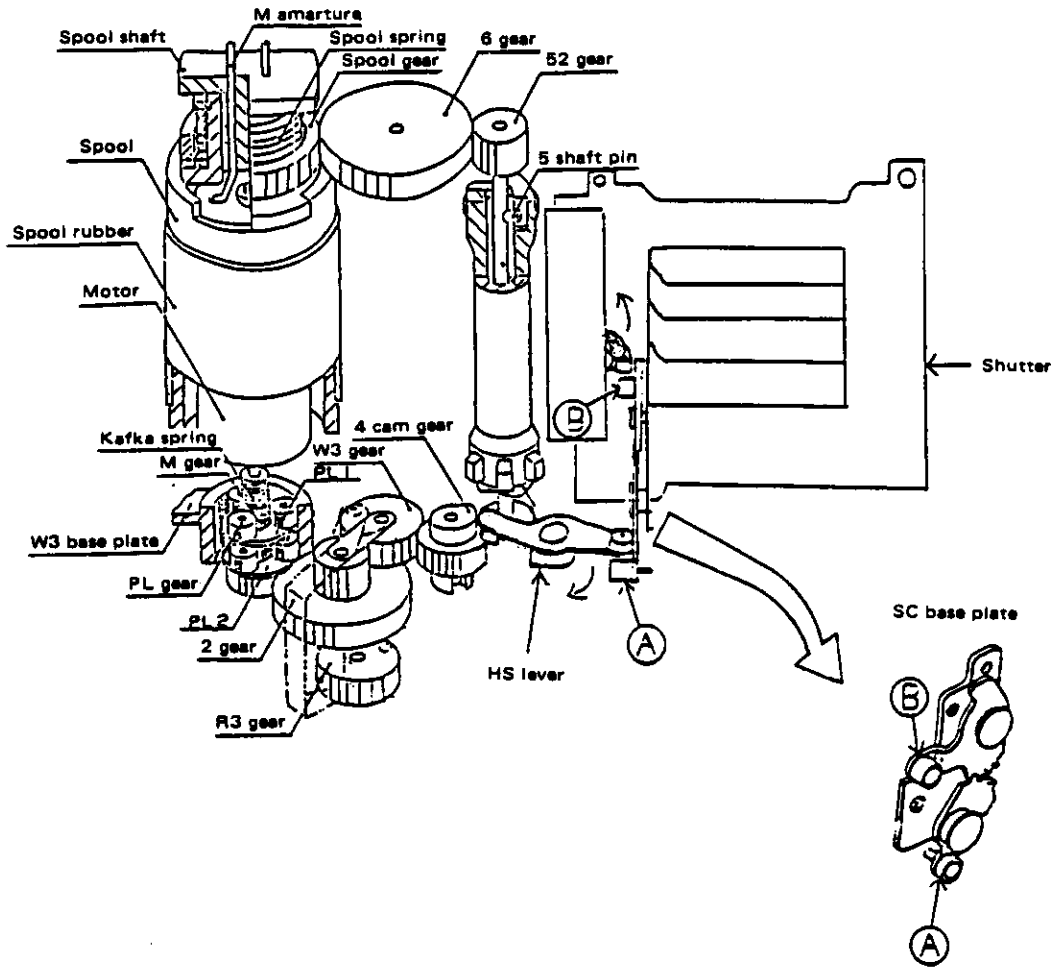
W motor rotates → 2 gear → W3 gear → 4 cam gear →
 W3 gear is shifted by the rotation of the motor and engaged with the 4 cam gear.



Shutter chr

Shutter charge

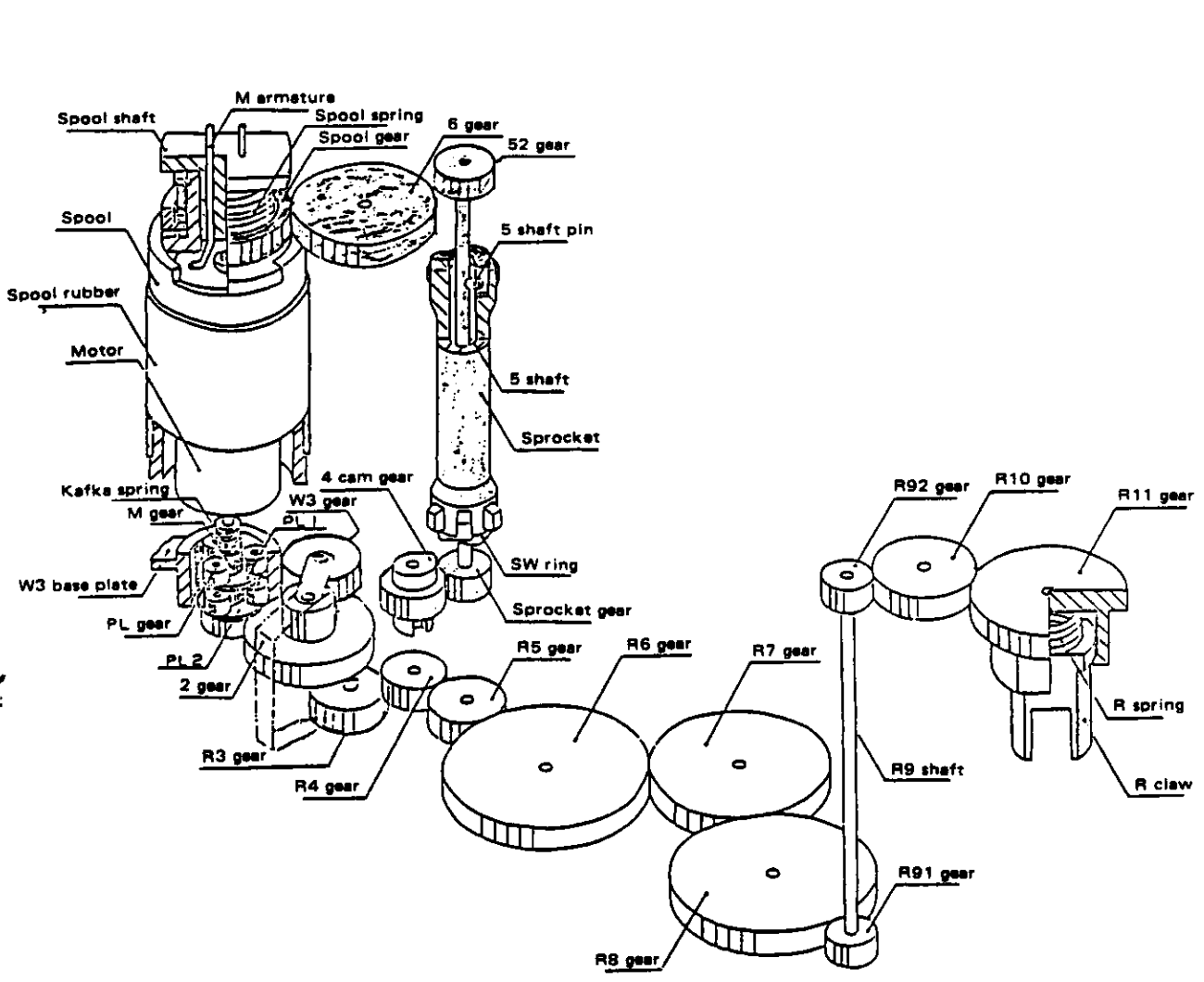
4 cam gear → HS lever → SC base plate → Shutter set (Charge lever)
ZJ703500 ZC610900



2. Rewind

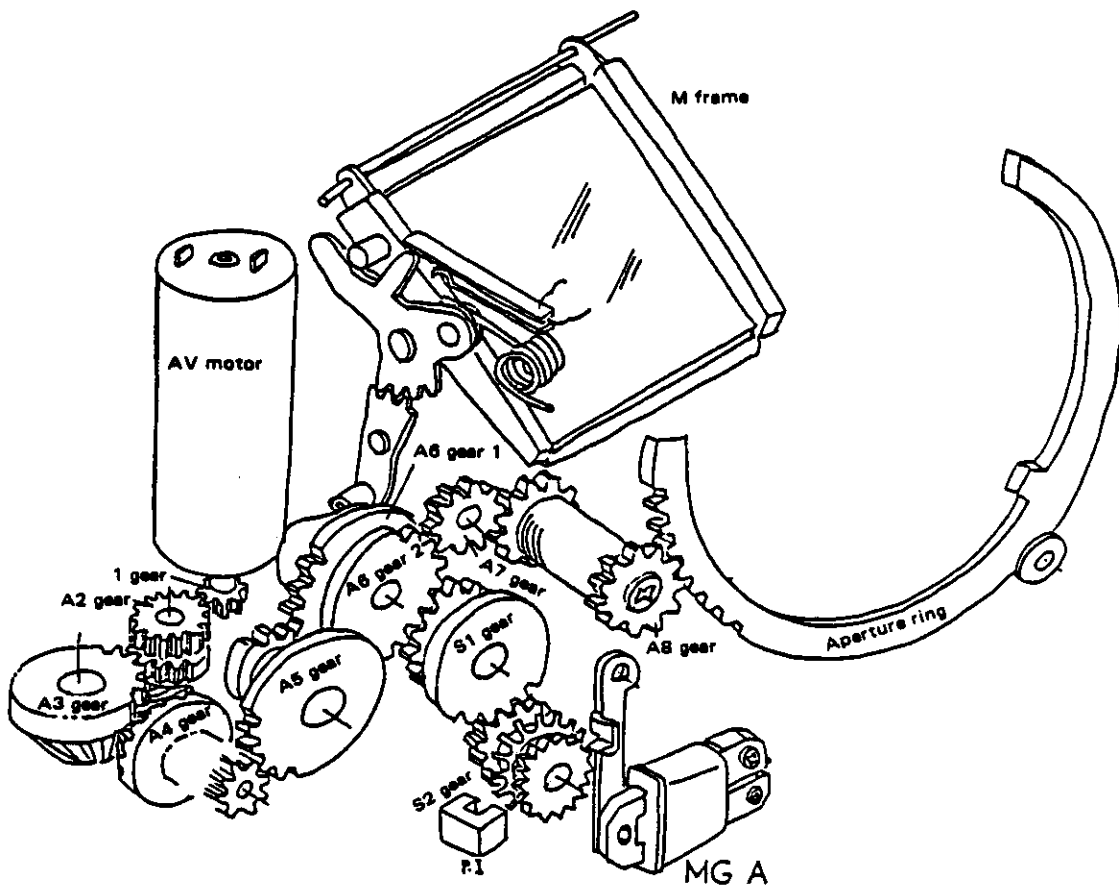
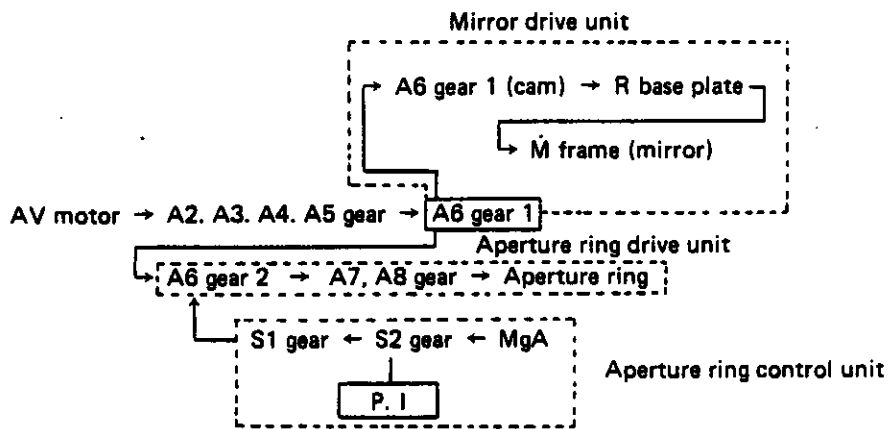
R3 base plate ZC611900

W motor reverses → 2 gear → R3 gear → R4 gear ~ R8 gear →
 R3 gear engages the R4 gear when the W motor reverses
 (W3 gear does not normally engage the R4 gear)
 → R91 gear → R92 gear → R10 gear → R11 gear (R claw rotates and film rewinds)



2. Operation of AV motor

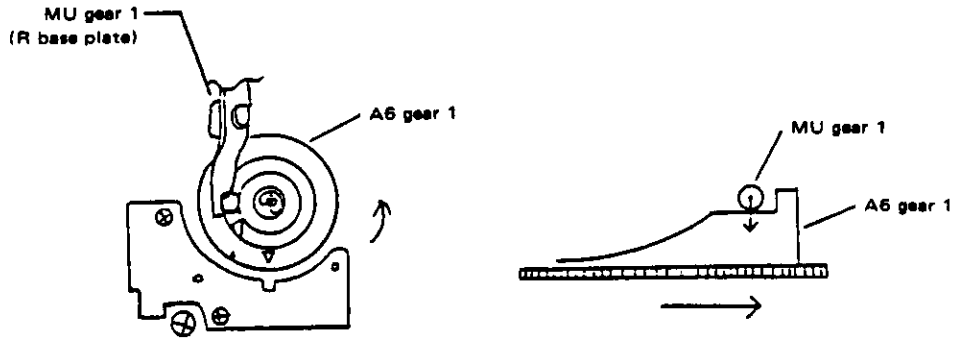
Functions of AV motor: 1. Mirror drive 3. Aperture control



1. Mirror drive

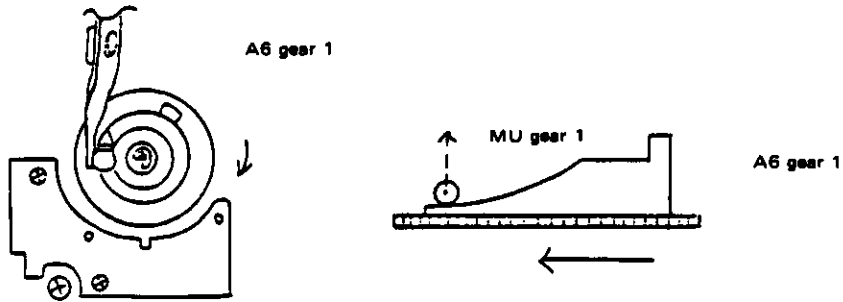
● Mirror up

The A6 gear 1 rotates counter clockwise due to the clockwise rotation of the AV motor. As a result, the MU gear 1 attached to the cam unit is activated. This is linked to the cam and raises the mirror.



● Mirror down

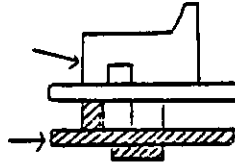
The AV motor reverses, the A6 gear 1 rotates clockwise, the MU gear 1 is pushed up by the cam and mirror is lowered.



2. Aperture control

- Put in the lens

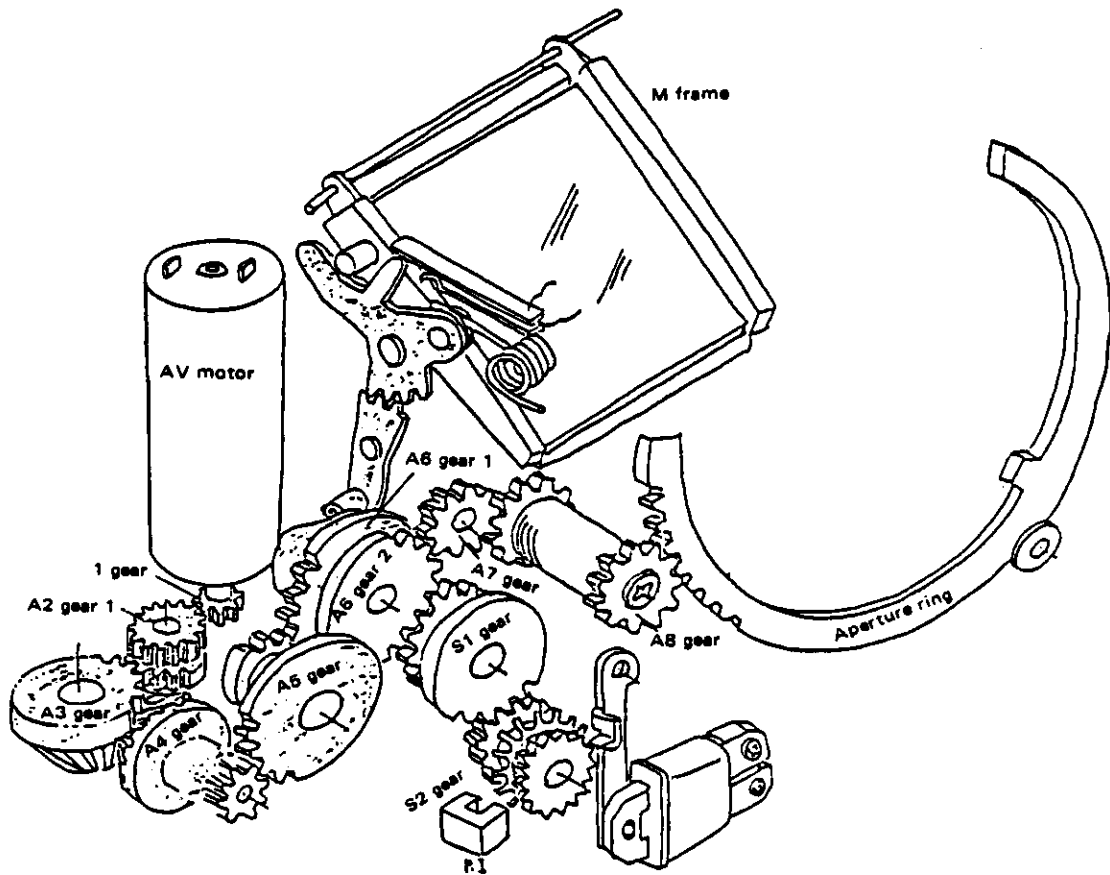
A6 gear 1 rotates counter clockwise with the rotation of the AV motor. Then, the A6 gear 2 beneath A6 gear 1 begins to rotate in combination with A6 gear 1 due to the torque of the aperture spring attached to the A8 gear.



A6 gear 2 → A7. A8 gear → Put in the lens

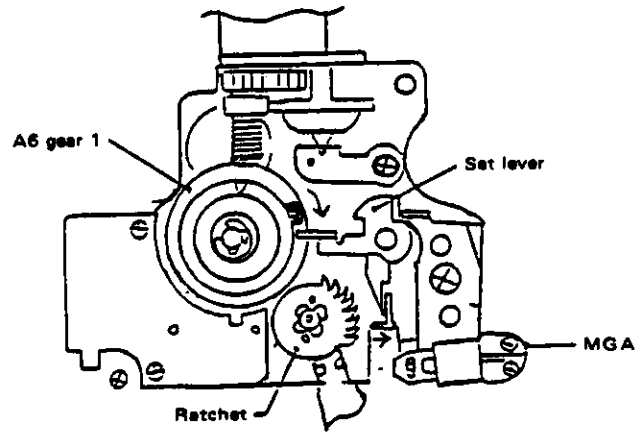
The rotation of the A6 gear 2 generates a pulse through the slit and P.I in the S2 gear. The aperture value is determined by M CPU, and when the number of pulses has reached some predetermined value, an OFF signal is sent from Bip 2 to MgA to turn MgA OFF.

When MgA is turned OFF, a claw catches the ratchet and stops rotation of the S2 gear. This causes the S1 gear, A6 gear 2, A7 gear, A8 gear and aperture ring to stop. (Set to aperture value decided by M CPU.) (A6 gear 1 continues to rotate until mirror-up is completed.)



- Aperture set

To prevent AV SW from turning ON at fully-open aperture, the aperture ring is first reduced to the smallest lens opening before AV SW is turned ON.



When the AV motor reverses, the convex part of the A6 gear 1 pushes the set lever of MgA and removes the claw which holds the ratchet. The ratchet rotates due to the torque of the aperture spring and the aperture is thus reduced to the smallest lens opening.









Then, the A6 gear 2 is pushed back by the A6 gear 1 and the aperture is set fully-opened.






J. OTHERS

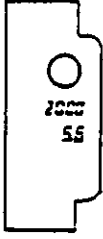
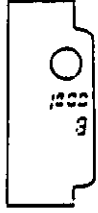
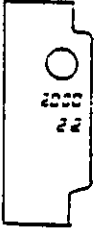
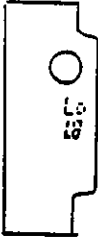
CONTENTS


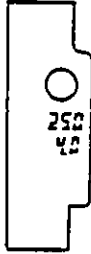






1.	BASIC OPERATION	J-1
2.	PROGRAM LINE DIAGRAM	J-9
1.	Normal Program Diagram	J-9
2.	Program Shift Diagram	J-10
3.	Grip Flash Program Diagram	J-11
4.	T-Series Flash Program Diagram	J-11
5.	Flat Lighting Flash Program Diagram	J-12
3.	COMBINATION TABLE OF OM 707 AND FLASH	J-13

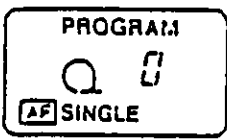

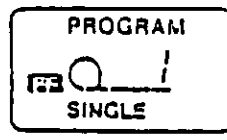
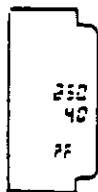
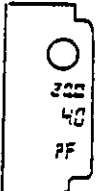


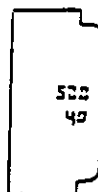
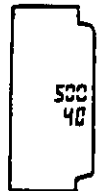
1. BASIC OPERATION

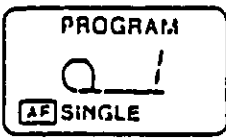
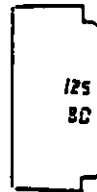
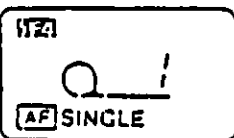

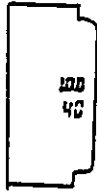
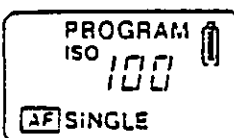
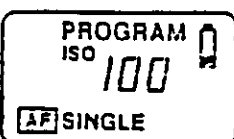



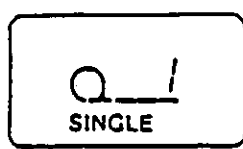
	Operations	Movements	LCD Panel Information	Viewfinder Information
POWER INPUT	Power switch is OFF			
	Power ON	<ol style="list-style-type: none"> 1. Power is turned ON 2. Battery check (lights for 1.5 sec., For details, refer to 「RESET」) 3. Reset lens to ∞ 4. ISO is displayed Rear cover opens 	 1.5 sec. ISO  mark displayed only for	
Film loading	Slide the rear cover O/C knob	Slide the rear cover		
	Load film and close the rear cover	Auto-load and advances 4 frames	<div style="display: flex; flex-direction: column; align-items: center;"> <div style="writing-mode: vertical-rl; transform: rotate(180deg); margin-bottom: 10px;">(Frames advancing)</div>   <div style="writing-mode: vertical-rl; transform: rotate(180deg); margin-top: 10px;">(Complete)</div> </div>	

Operations	Movements	LCD Panel Information	Viewfinder Information
Film loading	In the event of failure during auto-loading	 <p data-bbox="743 527 992 617">Q mark blinks (Turns ON after 30 sec.)</p>	
	In the event of advancing while film is unloaded (Auto loading) (Complete) (After 30 sec. has elapsed while display persists)	   	

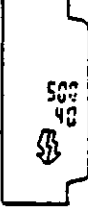

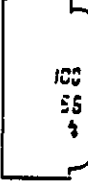


	Operations	Movements	LCD Panel Information	Viewfinder Information
Filming	Press release button half way	Auto-focusing		 ○ In focus : green ○ Out-of-focus : red
		Exposure display		<p>(Correct)</p>  Shutter speed and aperture value turn ON
				<p>(Over-exposure)</p>  Only 2000 blinks
				<p>(Under-exposure)</p>  Lo blinks

	Operations	Movements	LCD Panel Information	Viewfinder Information
Filming	Press release button	Shutter released and film is wound automatically		
				
				
				
				<p>Display disappears during mirror up</p>
			R mark blinks	
Rewind	Press R button	Rewinds automatically		
				

	Operations	Movements	LCD Panel Information	Viewfinder Information
Rewind	Press R button 1	Rewinds automatically	Complete   blinks (On after 30 sec.) Turns ON.	
	Slide the rear cover O/C knob	Rear cover is open		
Power focus	Press power focus button	Changes to power focus mode	 PF mark blinks!	
	Operate shift knob	Power focus		  blinks Blinks without relation to focusing
Continuous mode	Press mode exchange button	Changes to continuous mode		
AE Lock	Watch the viewfinder and press AE lock button	Exposure value is locked		
	Point the camera in a different direction	Locked value does not change		

	Operations	Movements	LCD Panel Information	Viewfinder Information
P shift	Operate shift knob	Program diagram is shifted	 PROGRAM blinks	
x F4 mode	Press x (F-4) made button	Shutter is set to 1/100 and aperture to F4	  mark flashes	 100 4.0 blinks
Reset	Press reset button	(When button is pressed) 1. Mode returns to normal 2. Lens is reset to ∞ (While button is held pressed) 1. ISO is displayed 2. battery is checked	   mark blinks   mark ON	
OM Lens mounting	Mount OM lens:	aperture-preferred is possible	 CONT. possible	All information other than about the flash disappears from the viewfinder

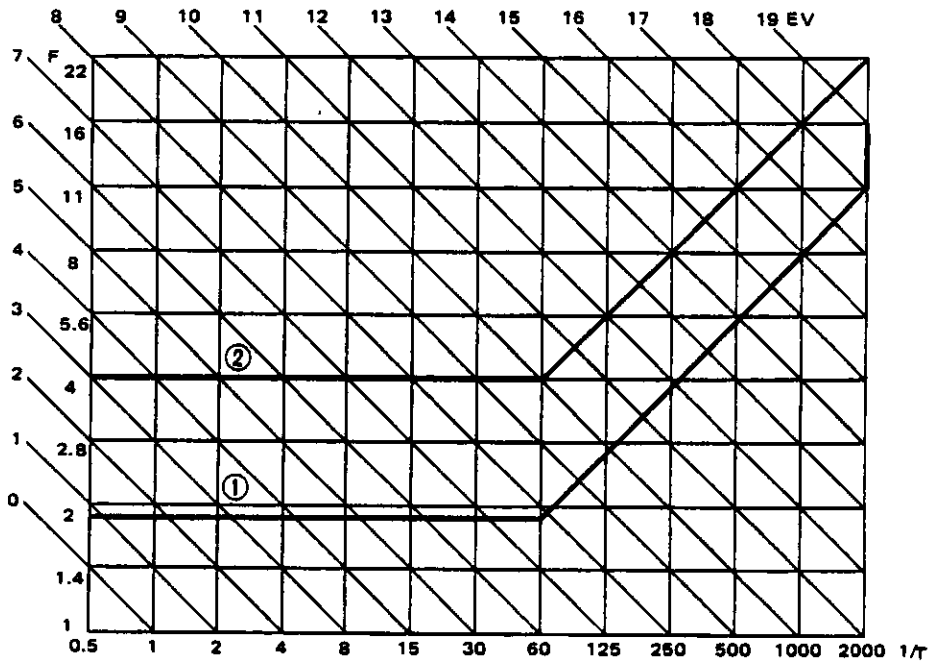
	Operations	Movements	LCD Panel Information	Viewfinder Information
Auto battery check	Release shutter	Battery is checked automatically each time	(battery full) 	
		(battery weak)		
		(battery empty)		
Selftimer	Press self-timer button	Changes to self-timer mode		
	Press release button	1. AF is activated 2. 12 sec. 3. Release	 S mark blinks	
Flat lighting flash	Switch on the flash	Recharge completed		
		Enter flat lighting range		

	Operations	Movements	LCD Panel Information	Viewfinder Information
Flat lighting flash	Shoot film	Flash fires		 <p>⚡ Blinks for 2 sec.</p>
	Flash pops-up	Charge completed		
Grip flash	Shoot film	Aperture is controlled by distance information Shutter is released and flash fires		 <p> ⚡ Blinks : correct ⚡ OFF : under exposure ⚡ ON : flash does not fire </p>
	Switch on the flash	Charge completes		
T-series flash	Shoot film	Shutter is released and flash fires		 <p> ⚡ Blinks : correct ⚡ OFF : under exposure ⚡ ON : flash does not fire </p>

2. PROGRAM LINE DIAGRAM

1. Normal Program Diagram

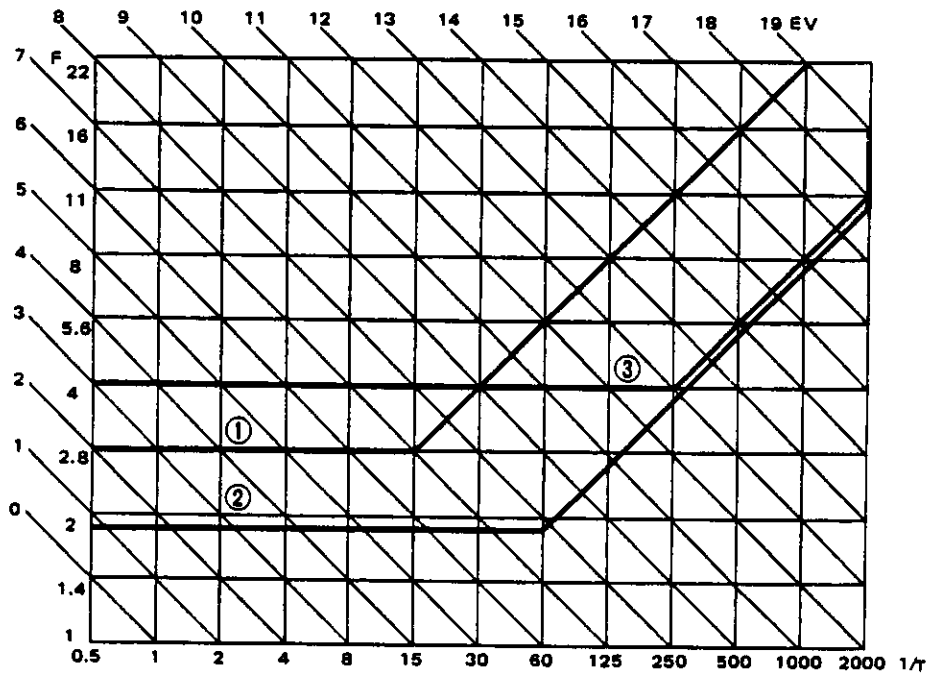
(1) Changes depending on F No. at fully-open aperture.



Example
 1. 50 mm F1.8
 2. 35 to 70 mm F4

Positions of the horizontal lines change depending on F No. The turning point does not change.

(2) Changes depending on focal length.

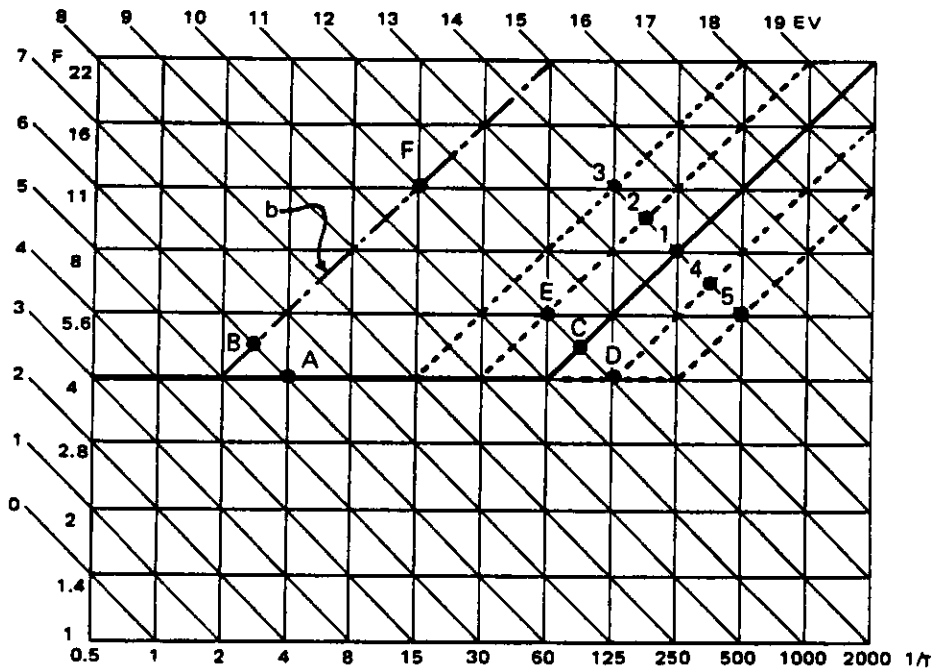


Example
 1. 28 mm F2.8
 2. 50 mm F1.8
 3. 70 to 210 mm
 210 mm at F4

Distinction	Focal length	Break point
W	Under 34 mm	1/15
S	Over 34 mm Under 90 mm	1/60
T	Over 90 mm	1/250

Break point changes depending on the focal length

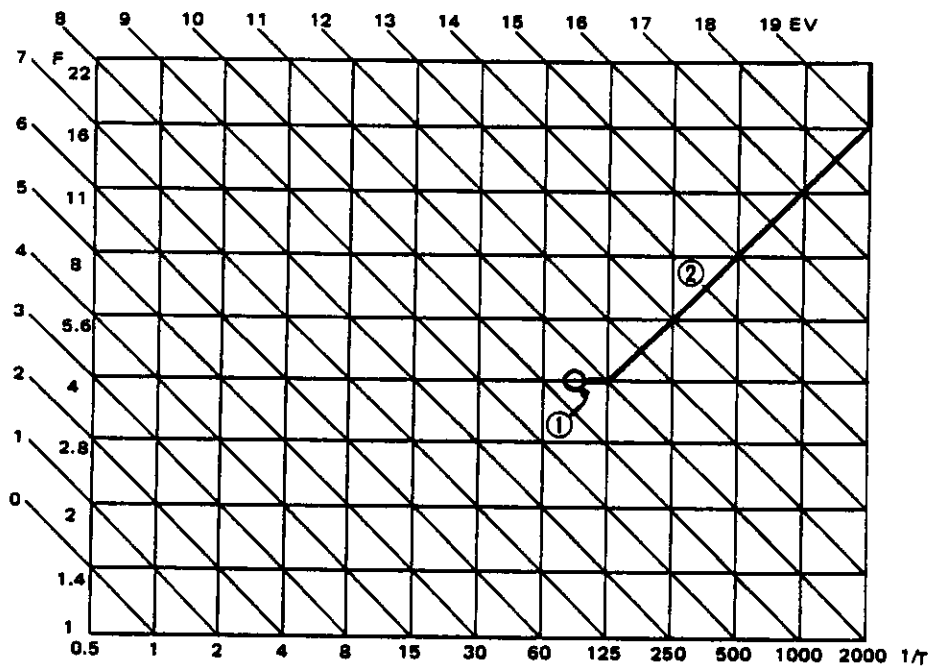
2. Program Shift Diagram



Example
35 to 70 mm F4

- (1) At point 1, when shifting to the (+) side, the turning point changes from 1 → 2 → 3.
Then, when shifting to the (-) side, the turning point changes from 3 → 2 → 1 → 4 → 5.
- (2) At point A, when shifting to the (+) side, the turning point changes from A → B. The following changes in brightness follow line b.
- (3) At point A, when shifting to the (-) side, no change occurs.
- (4) At point C, when shifting to the (-) side, the turning point changes from C → D. Here, when shifting towards the dark side, the turning point changes from D → A. Moreover, when shifting to the bright side, the turning point changes from A → D.
- (5) In 3., at point A, when shifting to the (+) side, the turning point changes from A → B.
However, if the shift is to the bright side, the turning point changes from B → F. (rather than returning to D).

3. Grip Flash Program Diagram



Example
35 to 70 mm F4

(1) This shows the lighting range. When it is below 1/100, under natural sunlight, the shutter speed is set to 1/100 and the aperture is determined by the distance. (Flashmatic)

$$\text{Aperture} = \frac{\text{G No.}}{\text{Distance}}$$

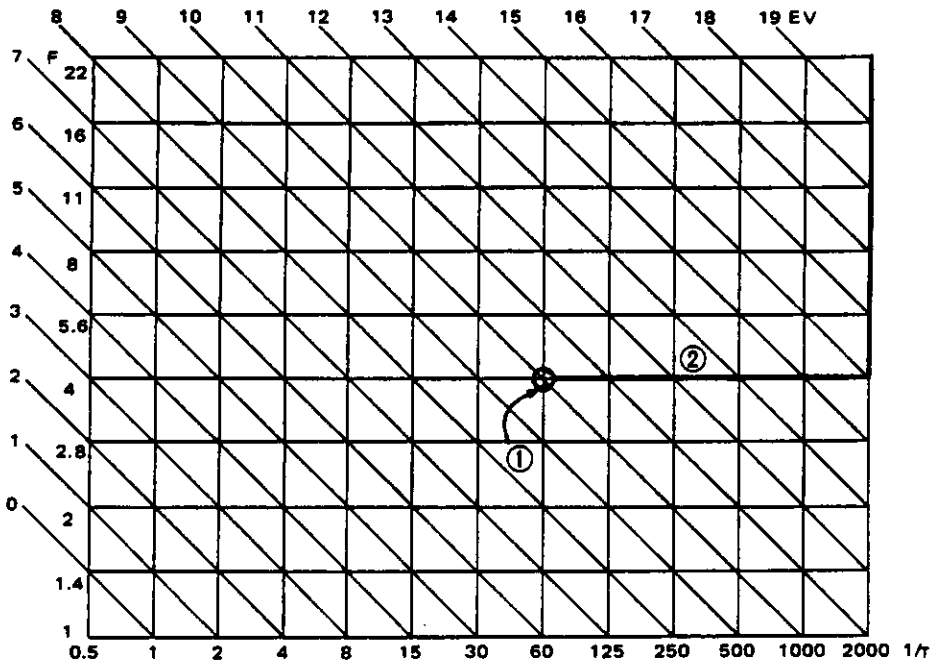
(2) This shows the no-lighting range.

4. T-Series Flash Program Diagram

The program is the same as for the grip flash. However, in lighting range 1., the shutter speed is set to 1/100 and the aperture is controlled by the smaller value between F4 and the F value at fully-open aperture.

Example: 50 mm F1.8 is F4, 35 to 70 mm F4.5 is F4.5

5. Flat Lighting Flash Program Diagram



- (1) This shows the lighting range. When it is below 1/60 under natural sunlight, the shutter speed is set to 1/60, and the aperture is controlled by the smaller value between F4 and the F value at full-open aperture.
- (2) This shows the flat lighting range. When it is above 1/60 under natural sunlight, the shutter speed is determined by natural sunlight. The aperture is controlled by the smaller value between F4 and the F value at fully-open aperture. If it reaches 1/2000, the smallest lens opening is reached.
- *When the viewfinder information shows a shutter speed of 100, both light and super FP can be used.

3. COMBINATION TABLE OF OM 707 AND FLASH

MODE	AGP12	F280	T20 T32	Shutter speed determined by flash program	Shutter speed conditions	Exposure control		Flash control		Aperture		Shutter					
						EA	EB	X contact Grip X	Shoe X	Front curtain operation starts	Rear curtain operation is completed	Control	Indication	Control	Indication		
																H	L
A						H	H	TTL direct 2 to 1/2000	OFF	Full speed ON	Flash by other makers full speed flashes	Program line					
B	○		1/100	Faster than 1/100		H	L	TTL direct 1/100 to 1/2000	OFF	OFF	AGP12 does not flash	Program line					
C		○	1/60	Slower than 1/100		H	L	1/100 limiter	ON	ON	AGP12 flashes	G No. distance		1/100			1/100
D				Faster than 1/60		L	L	TTL direct 1/60 to 1/2000	OFF	OFF	F280 flashes (Super FP flashes)	Program line					
				Slower than 1/60		H	L	1/100 limiter	ON	ON	F280 flashes (Lighting flash)	Values at aper- ture full-open or F4		1/100			1/100
E	○			Faster than 1/100		H	L	TTL direct 1/100 to 1/2000	OFF	OFF	T-flash does not fire	Program line					
				Slower than 1/100		H	L	1/100 limiter	ON	ON	T-flash fire	Values at aper- ture full-open or F4		1/100			1/100
F (same as B)	○			Faster than 1/60		L	L	TTL direct 1/125 to 1/2000	OFF	OFF	F280 flashes (Super FP flashes)	Program line					
				Slower than 1/60		H	L	1/100 limiter	ON	ON	AGP12, F280 flashes (Lighting flash)	G No. distance		1/100			1/100
G/A and X/F4 mode)				Faster than 1/100		H	L	TTL direct 1/100 to 1/2000	OFF	OFF	AGP12, T-flash does not fire	Program line					
				Slower than 1/100		H	L	1/100 limiter	ON	ON	AGP12, T-flash fires	G No. distance		1/100			1/100
						L	H	AE lock 1/100	OFF	ON	Flash by other makers flashes at 1/100	Values at aper- ture full-open or F4		1/100			1/100

* T-series flash cannot be used for multi-flash filming.

POWER FLASH GRIP300

INDEX

- A. PRODUCT OUTLINE A-1
- B. INSPECTION STANDARDS B-1
- I. DESCRIPTION OF MECHANISM I-1~I-5

A

PRODUCT OUTLINE

A. PRODUCT OUTLINE

1. Product Outline

Model name OLYMPUS POWER FLASH GRIP 300
House code AGP12

2. Main Specifications

Type	Separable power-source grip (built-in flash)
System application	OM 707 (or OM 77 AF)
Shutter release	Electromagnetic shutter
Battery life	Sufficient for 8 rolls or more (using flash for 50% of exposures, alkaline batteries, normal temperature, 24EX film)
Camera mount	Special mount
Electrical connection with camera	Cordless, direct-contact
Guide number	12 (ISO 100 · m)
Flash mode	Full-speed synchro. (Flashmatic)
Coverage angle	Equivalent to view angle of 35mm lens.
Recycling time	4 sec. with sum-4 alkaline batteries.
Operation display	Lamp indication on the back of FLASH (Charge completion) LCD display in viewfinder of OM 707 or OM 77 AF (Charge completion, correct exposure)
Flash duration	1/3000 sec.
Flash power-source switch	ON : pop-up lever (turns ON only when connected with camera) OFF : flash reflector pushed in
Power source	sum-4 alkaline battery x 4
Facing	Elastic pad
Dimensions	49 (W) x 64 (H) x 67 (D) mm
Weight	80g (without batteries)

B

INSPECTION STANDARDS

B. INSPECTION STANDARD

<u>Major Check Point</u>	<u>Standard</u>	<u>Items to be checked and procedure</u>
1. Insulation resistance	over 30M Use 500V insulation resistor	Measure the insulating resistance between the battery armature and the external metal case of the Body.
2. Lighting tendency	The flash covers a film angle subtended by a 35mm lens	The angle between the center of the beam through the point where the intensity is reduced by 1 EV must be greater than: 38° (up-to-down) 54° (left-to-right)
3. Guide number	G. No. 12 (ISO 100)	Compared with G. No. 12, the flash intensity 30 sec. after the charge lamp turns ON is within ± 0.75 EV Compared with G. No. 12, the flash intensity immediately after charge lamp turns ON is within $- 1.2$ EV
4. Lighting cycles	Over 120 flashes with sum-4 alkaline battery x 4	Flash repeatedly in 30 sec. intervals until flash is not recharged within 30 sec. (Film winding is in operation, but autofocusing not)
5. Recycling time	Within 5 sec. with sum-4 alkaline battery x 4	Flash 3 times immediately after flash is recharged and take the shortest interval time as data.
6. Color temperature	5800° K	



DESCRIPTION OF MECHANISM

;

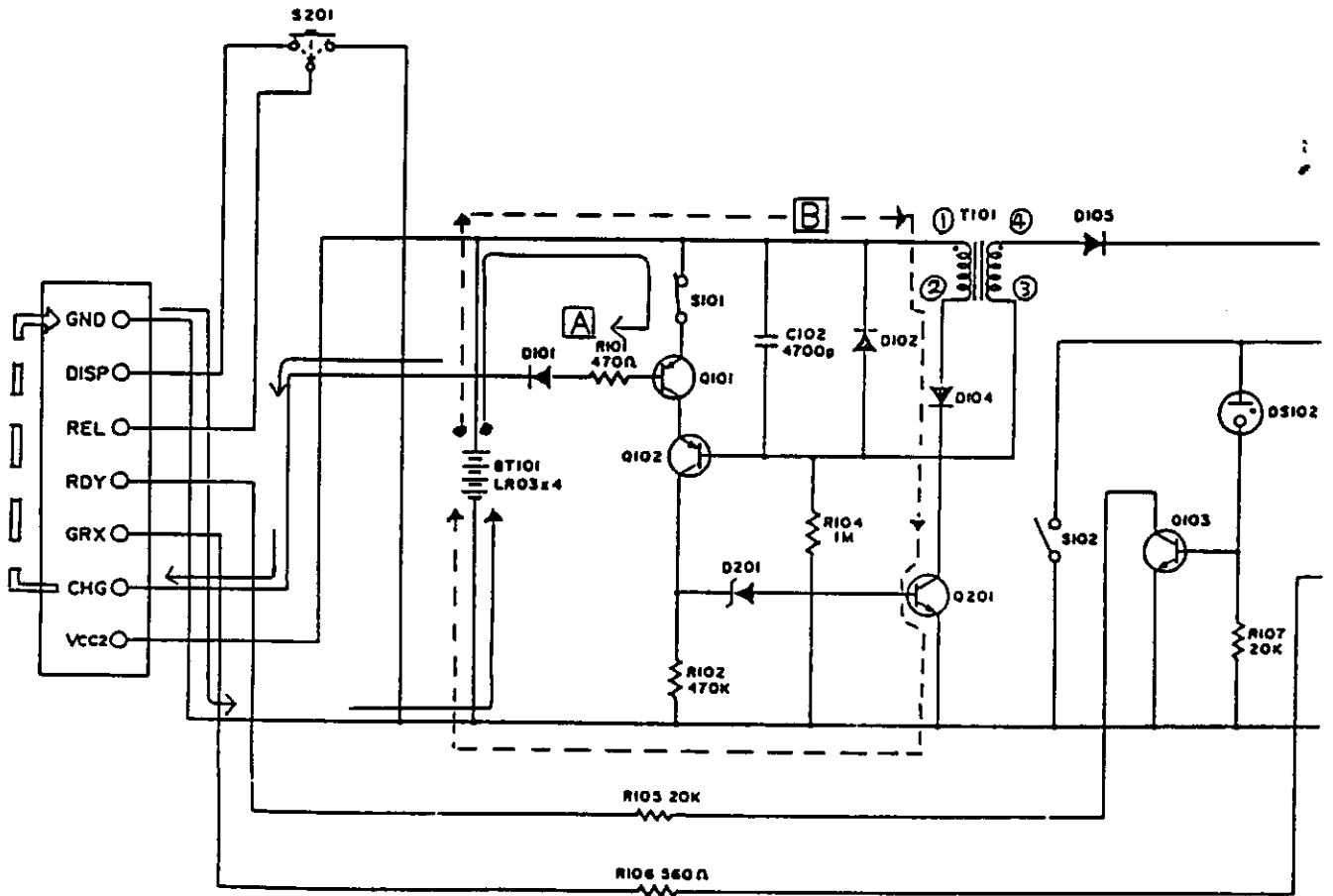
I. DESCRIPTION OF MECHANISM

1. Voltage Buildup Circuit	2
2. Charge Complete Display, Flash-Charge Information Circuit	4
3. Flash Trigger Circuit	5
4. Description of Electrical Parts	7

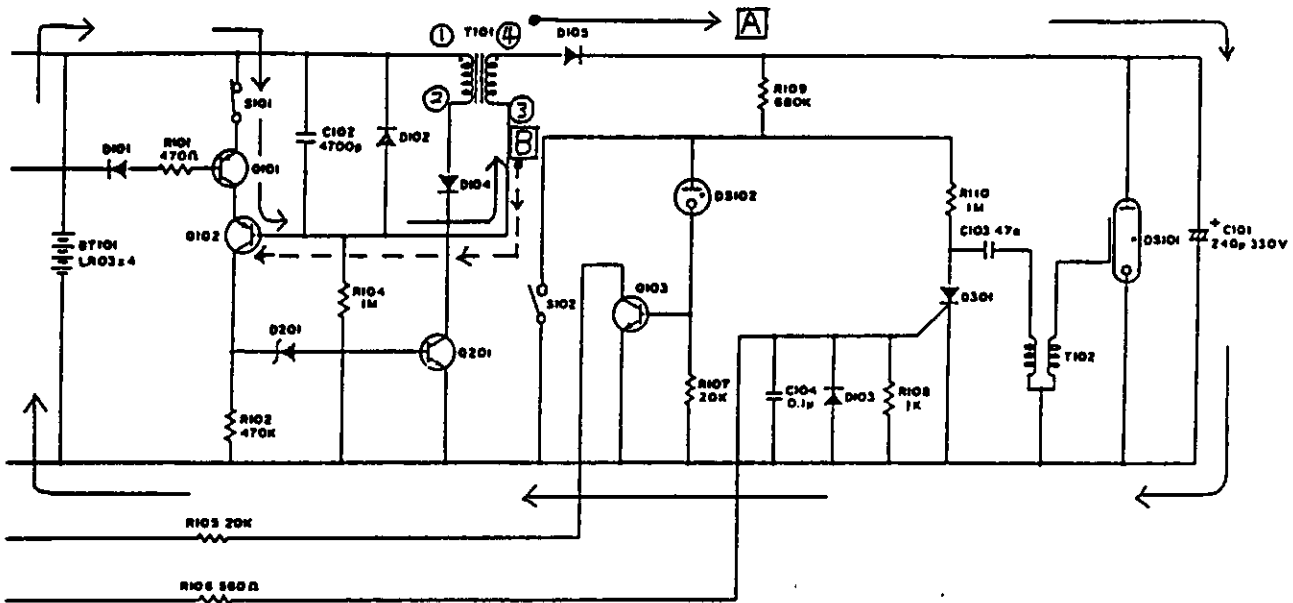
Prerequisite

- Both S101 and S102 are switches linked with UP and DOWN in the Flash firing unit.
 When the flash firing unit is UP : S101 ON, S102 OFF
 When the flash firing unit is DOWN : S101 OFF, S102 ON
- The CHG terminal voltage will fall to near GND level if a charge permit signal is output from the camera.
- Positive voltage is applied to the GRX terminal when XSW of the camera is turned ON.

1. Voltage Buildup Circuit (DC/DC converter)



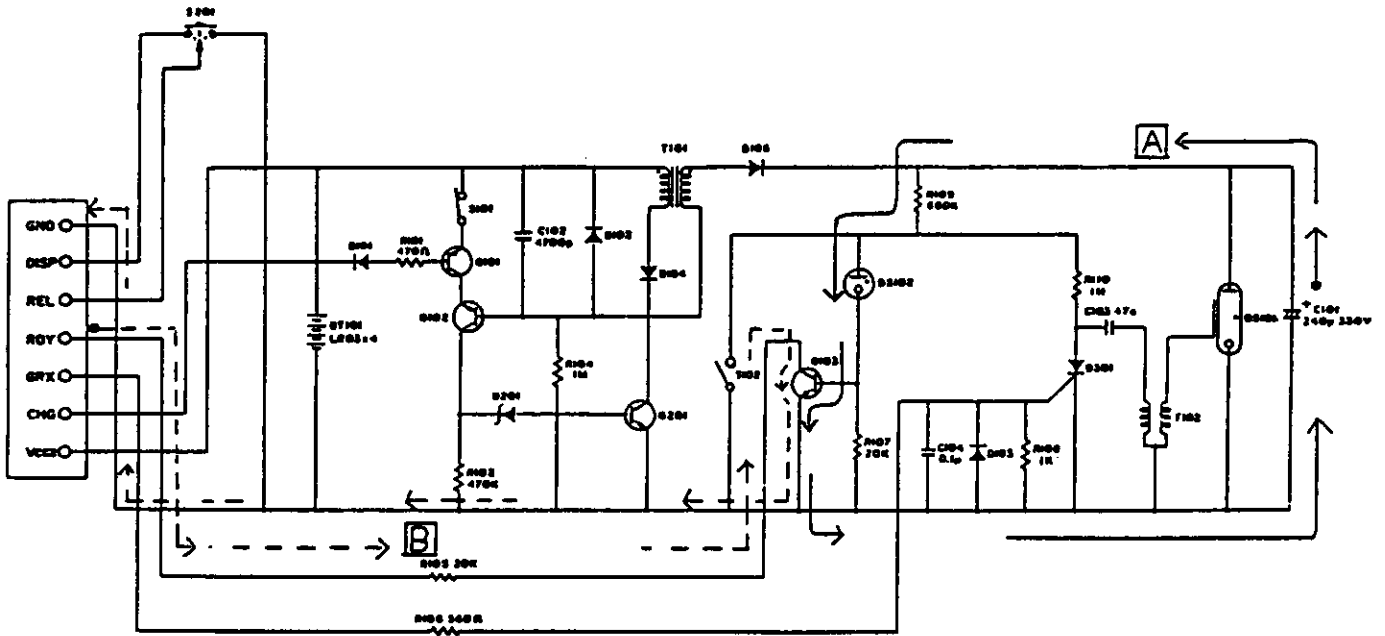
- When the permit signal is input to the CHG terminal while S101 is ON
 BT101(+) → S101 → (-)101E → -101B → R101 → D101 → CHG → GND → BT101(-)..... [A]
 As a result, Q101 is turned ON..
- If Q101 turns ON, Q102 and Q201 are also turned ON.
- If Q201 turns ON, current flows as below:
 BT101(+) → T101 ① → T101 ② → D104 → Q201C → Q201E → BT101(-)
 (T101 primary current)



4. Secondary voltage is generated in proportion to the increment ratio of the primary current, and current flows as below:
 T101 ④ → D105 → C101 → BT101 ⊖ → BT101 → ⊕S101 → Q101E → Q101C → Q102E → Q102B → T101 ③
 A
 As a result, the main capacitor C101 is charged.
5. When the current increment becomes 0 because of saturation of the primary current, the secondary current stops. Because the base current of Q102 is reduced, the primary current in T101 decreases rapidly. This decrease generates a reverse voltage in the secondary circuit of T101, and the reverse voltage is applied to the base of Q102 turns OFF B
6. If Q102 turns OFF, Q201 also turns OFF and the primary current stops. This causes a release of the reverse voltage stored in the secondary circuit.
7. By releasing the reverse voltage, T101 primary current begins to flow and charges C101 again. C101 is thus charged by turning ON and OFF repeatedly the primary circuit of T101.

Energy-Saver-Circuit

When the battery falls voltage below the Zener voltage (approx. 2.2V) applied to D201, the base current of Q201 decreases to prevent a voltage drop to the battery by controlling DC/DC operation.



2. Charge Complete Display, Flash-Charge Information Circuit

1. DS102 lights up when the charging voltage of C101 reaches the lighting voltage of DS102.

2. After DS102 lights up, current flows as below.

C101 → R109 → DS102 → Q103E → C101 [A]

As a result, Q103 is turned ON.

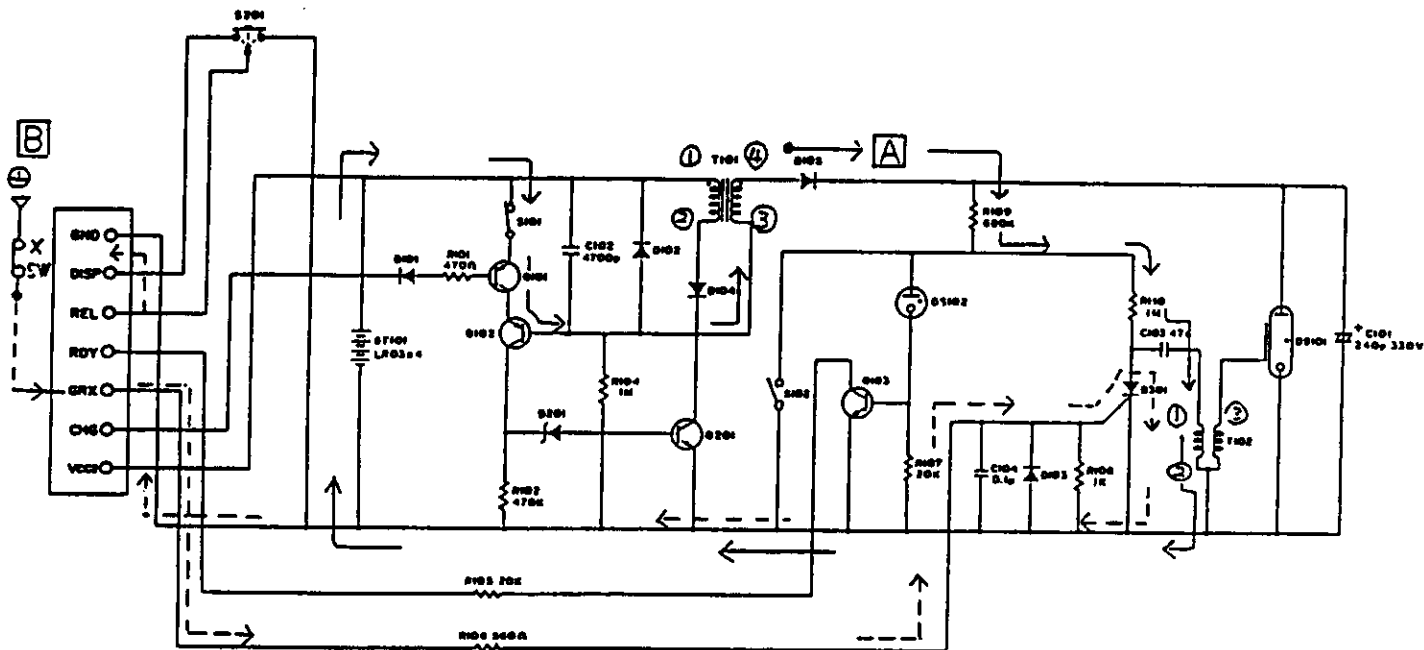
3. When Q103 is turned ON, the voltage of the RDY terminal falls to the GND level through R105 and Q103 and indicates that charging is completed.

RDY terminal R105 → Q103C → Q103E → GND [B]

(camera)

(camera)

- If the flash firing unit is pushed and held while DS102 is lighting (i.e. S101 OFF, S102 ON), (+) of DS102 is short-circuited to GND and DS102 turns OFF because S102 is ON. Consequently, A103 turns OFF and the RDY terminal becomes open. As a result, signal current does not flow to camera.

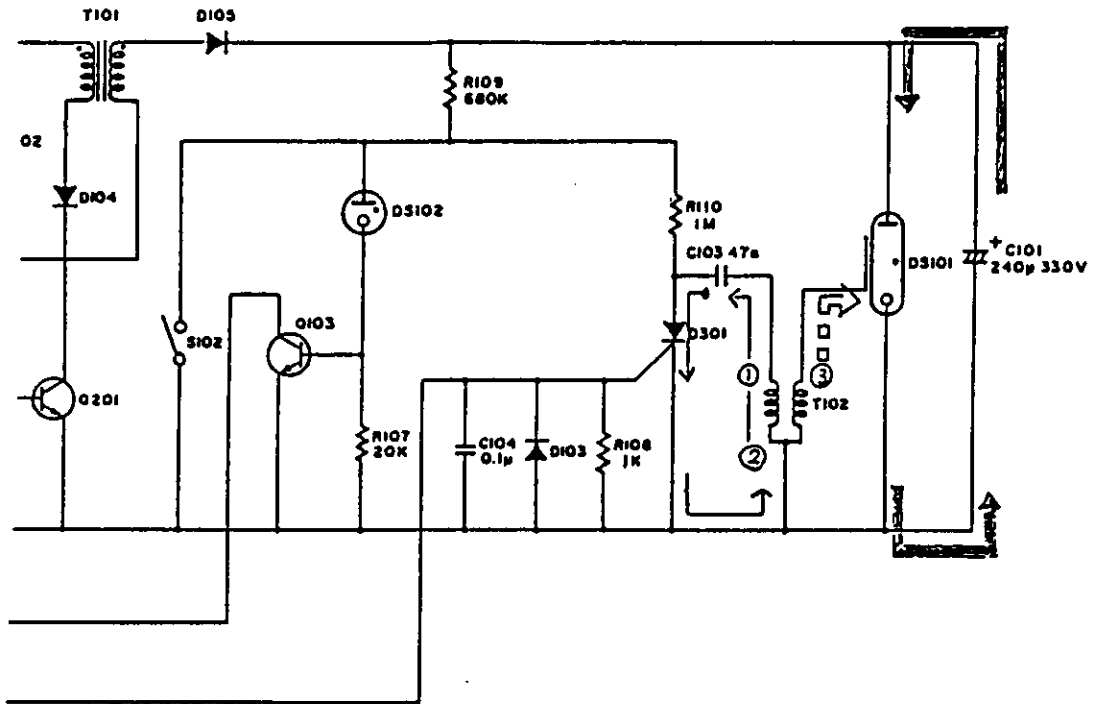


3. Flash Trigger Circuit

1. During DC/DC operation, both the main capacitor C101 and trigger capacitor C103 are charged.
 T101 ④ → R109 → R110 → C103 → T102 ① → T102 ② → BT101 → S101 → Q101 → Q102 → T101 ③ (during operation of DC/DC) **A**
 or
 C101 → R109 → R110 → C103 → T102 ① → C101 (DC/DC is not in operation)

2. When XSW turns ON, voltage is applied to the GRX terminal and thyristor D301 turns ON.
 Power Source → XSW → GRX terminal → R106 → D301 gate → D301 cathode → GND → Power Source **B**

* When used together with the camera, the flash does not fire if the charge complete display is not shown because the flash signal is not output.



3. When D301 turns ON, current flows from C103 to the primary circuit of the trigger transformer T102 and high voltage is generated in the secondary circuit of T102. This causes the flash tube to light.

C103 → D301 anode → D301 cathode → T102 ② → T102 ① → C103

4. Description of electrical parts

R102	Prevents Q201 from turning ON due to noise
R107	Prevents Q103 from turning ON due to noise
R108	Prevents spontaneous firing due to noise
C102	Prevents destruction of Q102
C104	Prevents spontaneous firing due to noise
D101	Protects circuits in camera body
D102	Prevents destruction of Q102
D103	Protects circuits in camera body
R201	Prevents extreme voltage drop of Vcc ₂

OLYMPUS

OM707

OM77AF

TROUBLE SHOOTING

OLYMPUS OPTICAL CO., LTD.

PRINTED IN JAPAN
Oct. 1987 160 . AB

**NOTICE ON TROUBLE SHOOTING
BY USING THIS MANUAL**

1. In this manual, measure for finding defective state and cause is described in order of operation. Practice according as the flowchart, and try to find cause at the defective state which is found on the first checking.
2. A digital multi-tester should be used for checking.
3. Beware of static electricity by setting earth etc., in operation.
4. There are 3 types of M circuit board (ZJ7090). The other parts concerning M circuit board is required to replace with new parts sometimes. In this case, refer to this manual.
5. When M circuit board (ZJ7090) or DX circuit board (ZC6122) is replaced with new one, adjustment of voltage for indication, EE and battery checking is required. Refer to this manual concerning checking method.
6. When AF circuit board (ZC6113) is replaced with new one, adjustment of AF is required. Refer to this manual concerning checking method.
7. Take care not to mistake about polarity of the tester, when voltage, current and resistance is measured.
8. Defective state described here is not all. If new defective states or cause are found in checking, write down them on this manual, and improve this.

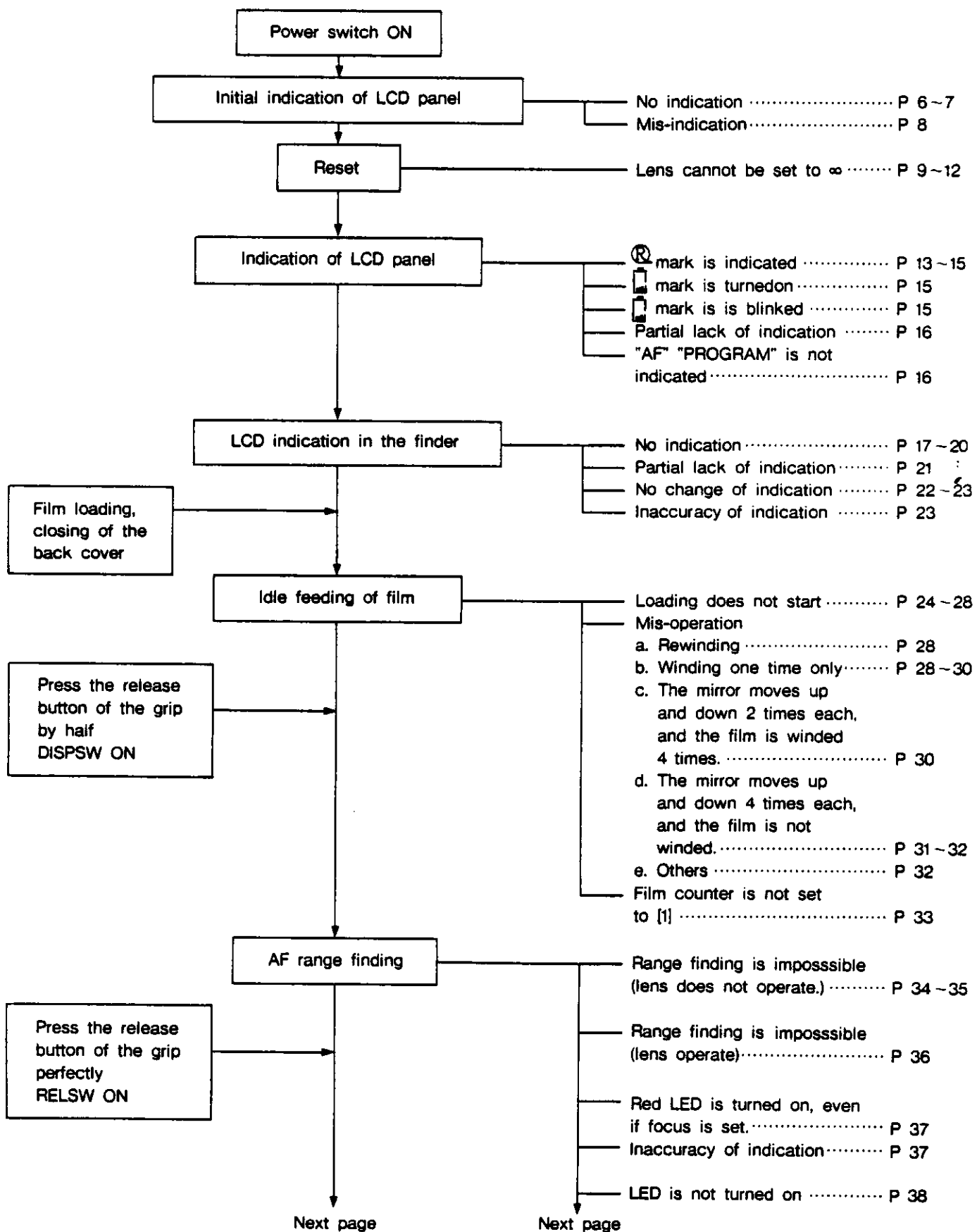
This manual is described mainly basing on the matter which occurred in the past, and T-2 checker is not used. But more adequate decision concerning troubles of switches etc. is assumed to be obtained, if T-2 checker is used.

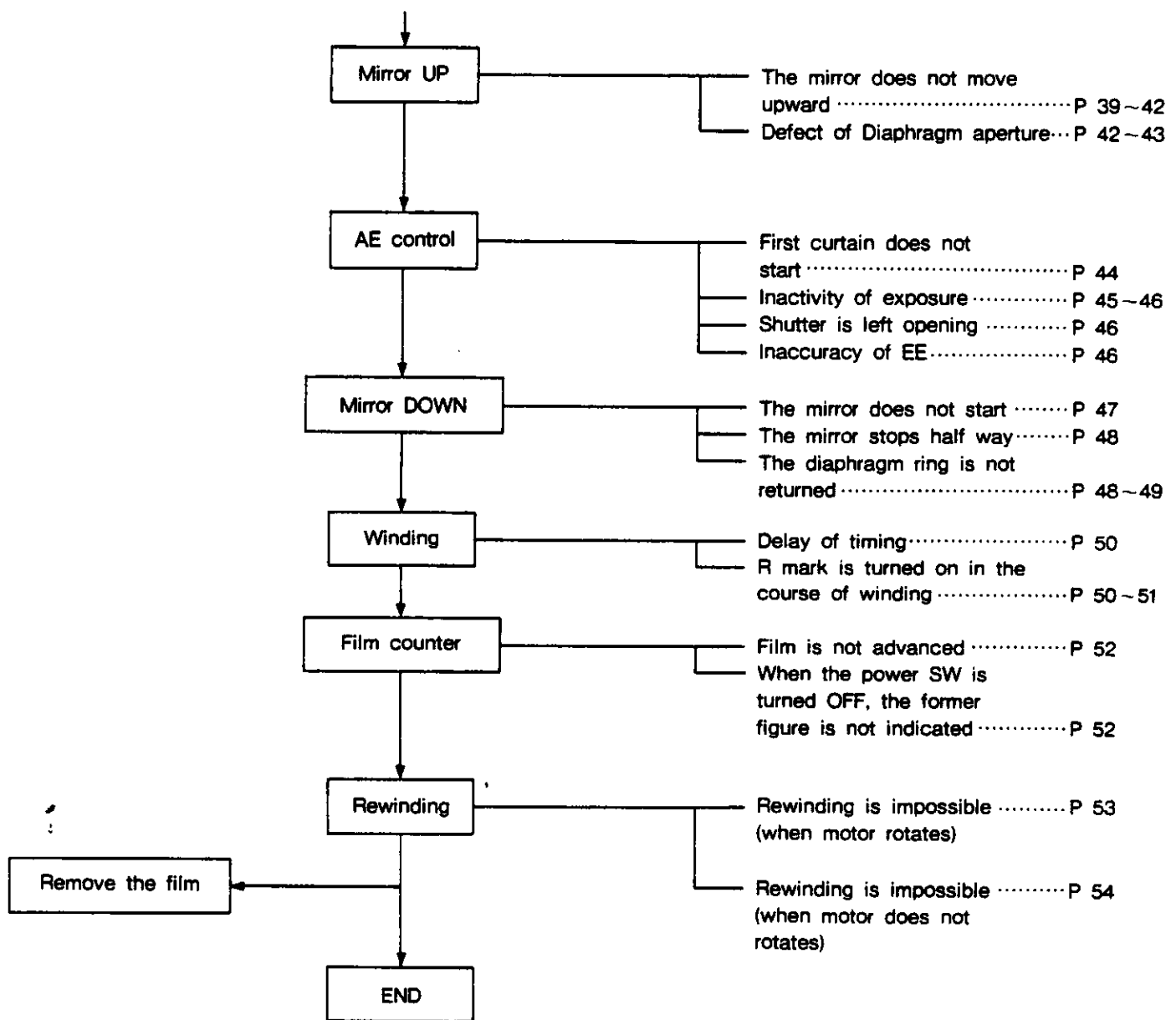
Practice trouble shooting more speedily and adequately by not only using this manual but using T-2 checker. And not only many Mode will be able to be set by using T-2 checker, but also function check will be possible after completion of trouble shooting. Refer to operational manual of T-2 checker concerning details.

TABLE OF CONTENTS

1.	Flowchart of operation procedure	1
2.	Location table of electrical parts	3
3.	Location table of connectors	4
4.	Function and location of switches	5
5.	Trouble shooting concerning items shown in the flowchart	7
5.1	Initial indication of LCD panel	7
5.2	Reset	10
5.3	Indication of LCD panel	14
5.4	LCD indication in the finder	18
5.5	Idle feeding of film	26
5.6	AF range finding	36
5.7	Mirror UP	41
5.8	AE control	46
5.9	Mirror DOWN	49
5.10	Winding	53
5.11	Film counter	55
5.12	Rewinding	56
6.	Trouble shooting concerning Strobe	58
7.	Trouble shooting concerning Film scratch	66
8.	Trouble shooting concerning Mode switching	67
9.	Trouble shooting concerning Battery consumption for a short time	68

1. FLOWCHART OF OPERATION PROCEDURE (AF SINGLE MODE)

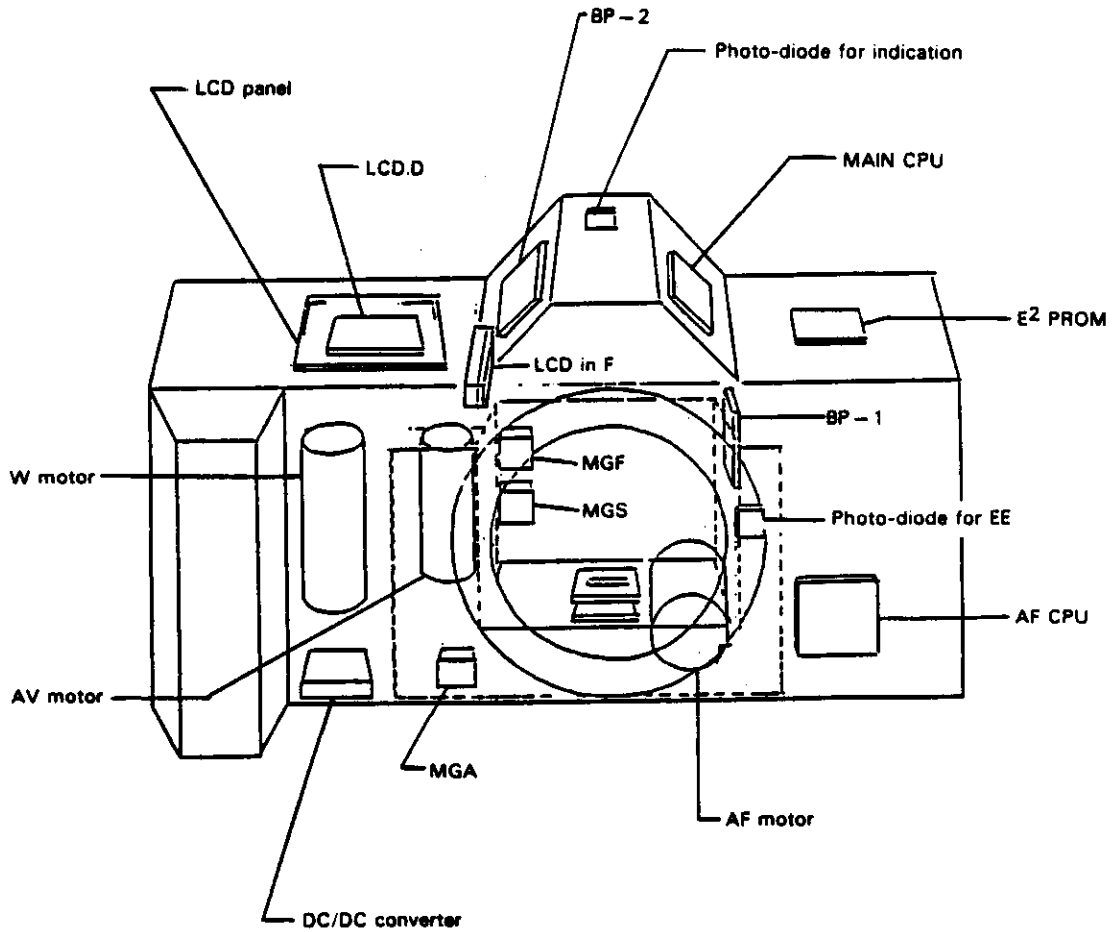
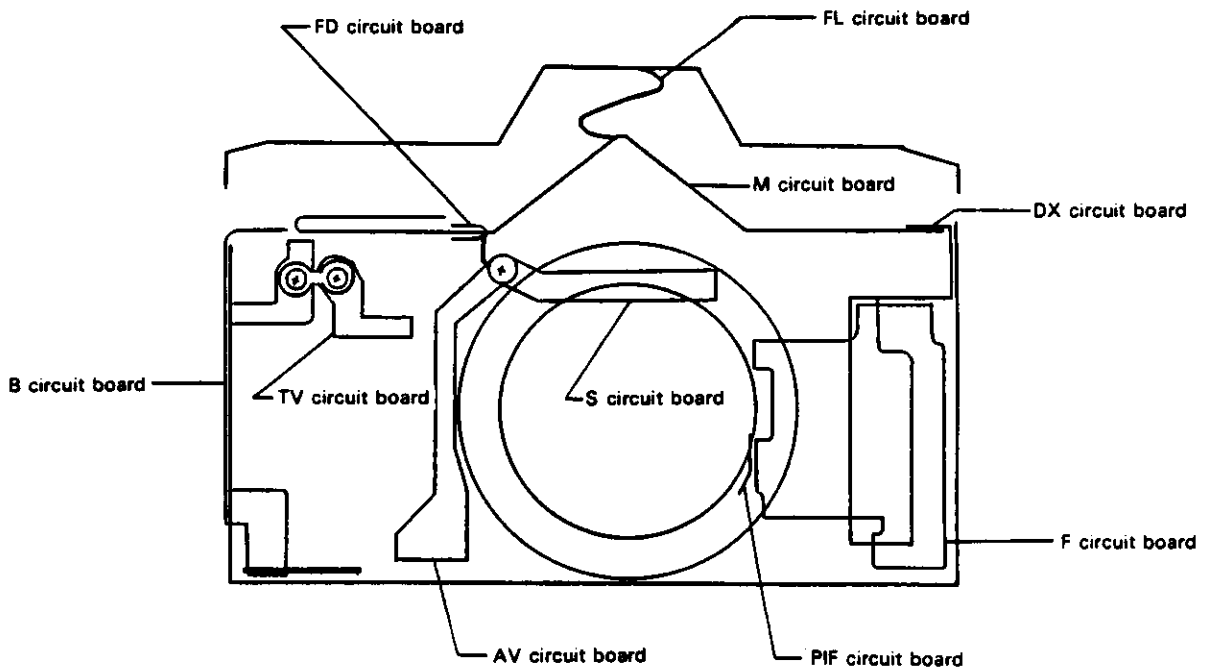




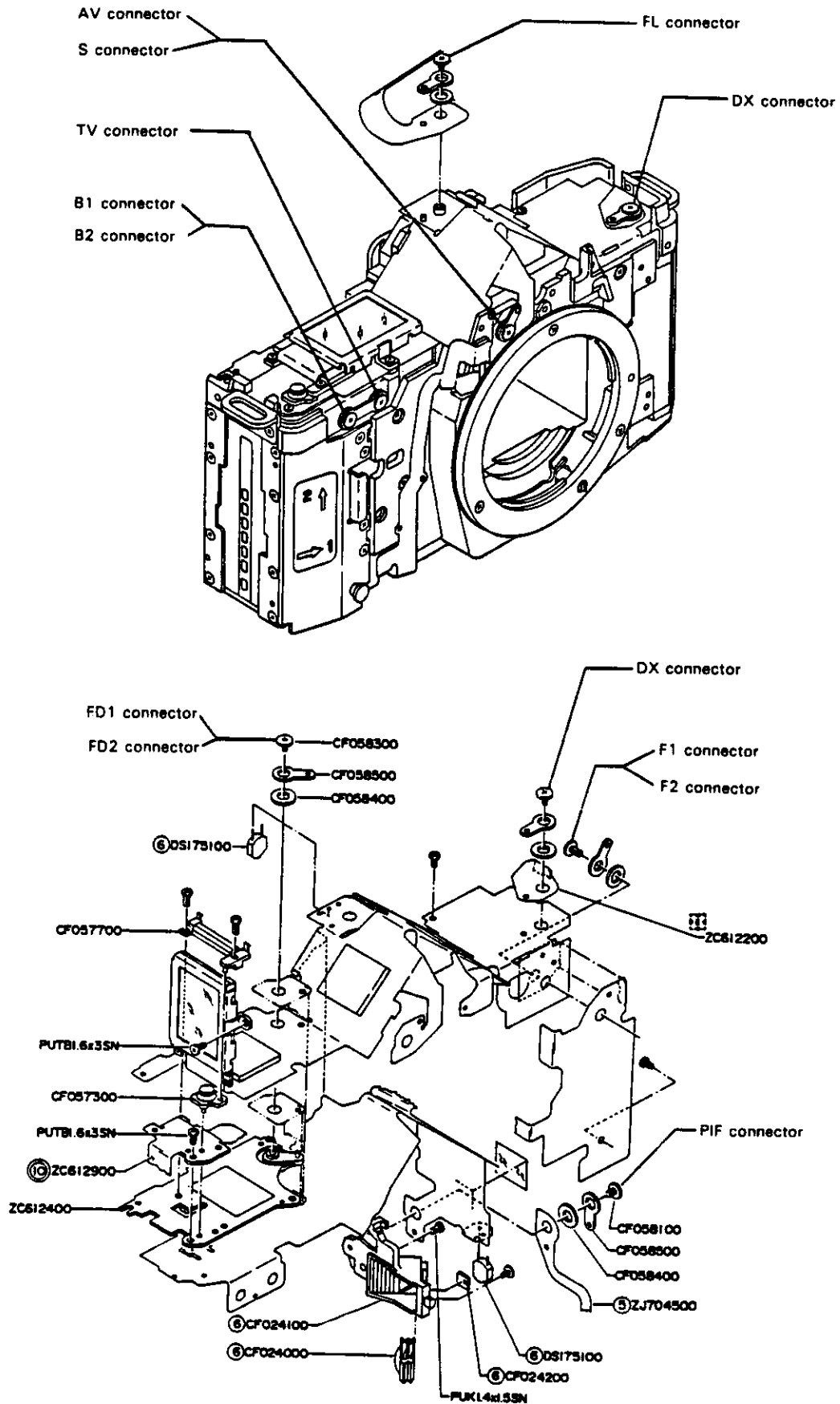
Other trouble shooting (but, normal operation at above flowchart)

- (1) Trouble shooting concerning Strobe P 56
- (2) Trouble shooting concerning Film scratch P 64
- (3) Trouble shooting concerning Mode switching P 65
- (4) Trouble shooting concerning Battery consumption for a short time P 66

2. LOCATION TABLE OF ELECTRICAL PARTS

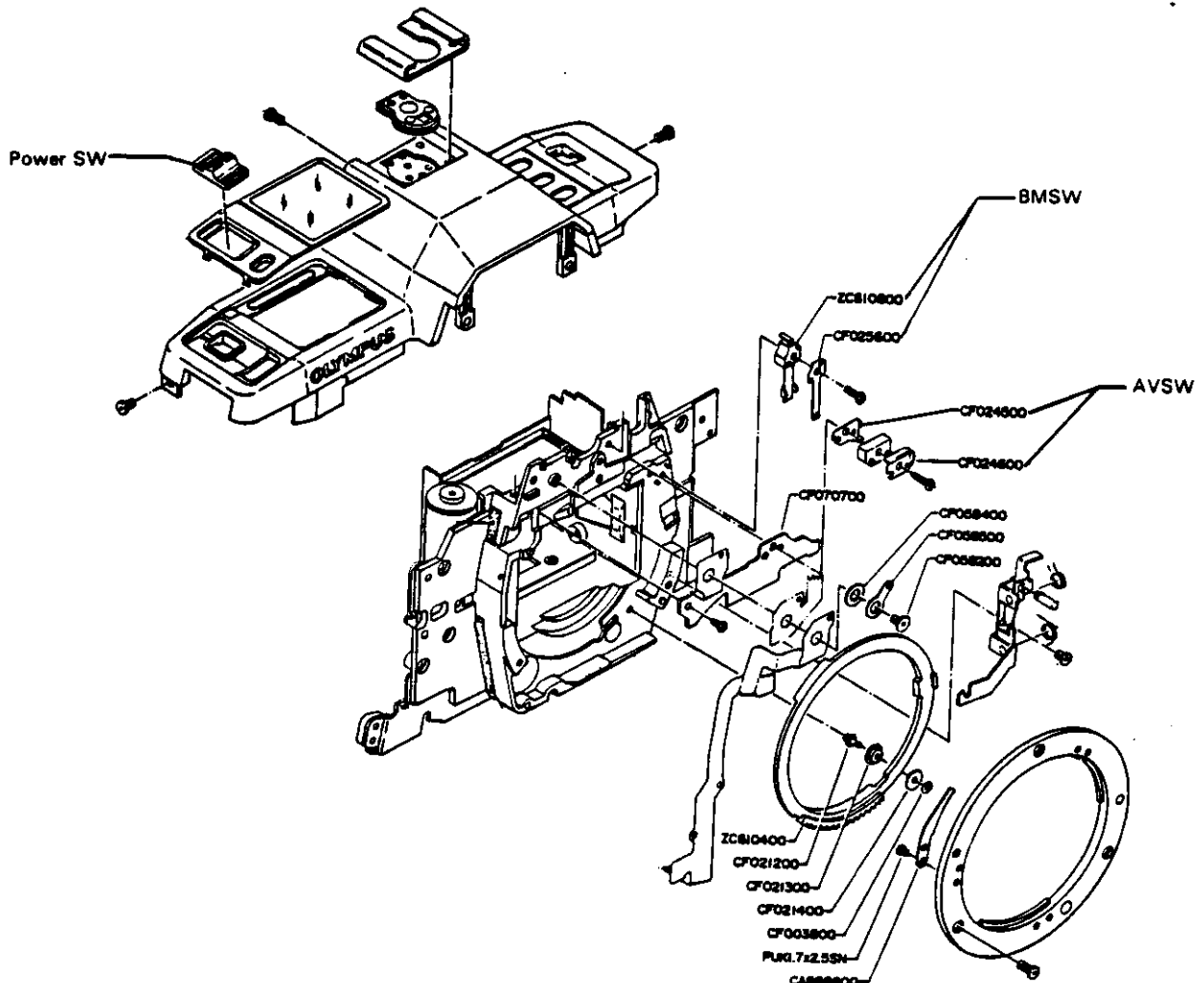


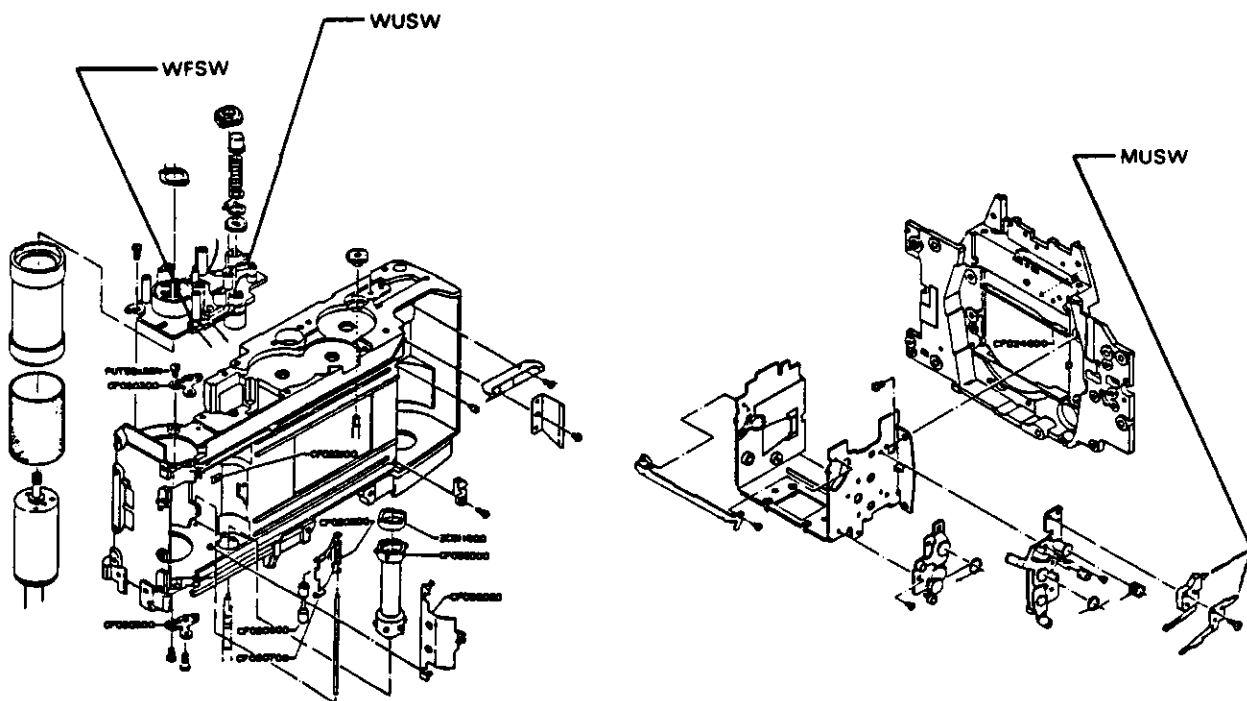
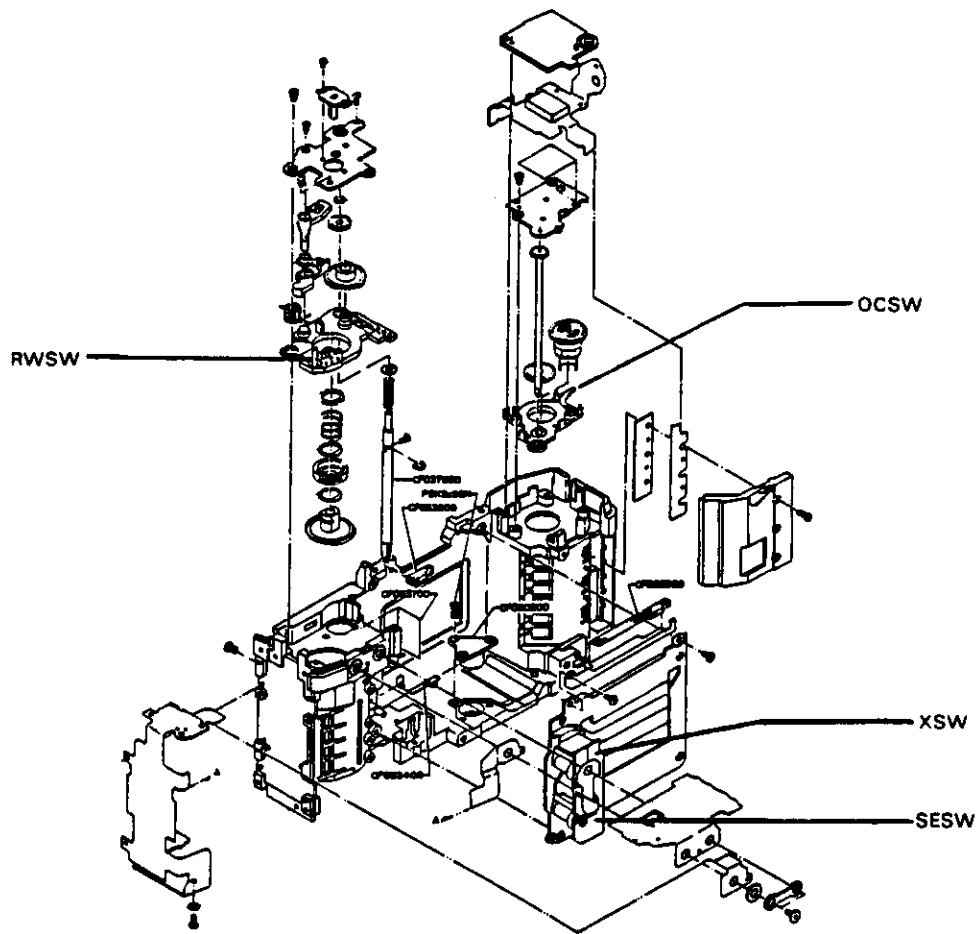
3. LOCATION TABLE OF CONNECTORS



4. FUNCTION AND LOCATION OF SWITCHES

No.	Switch name	Switch condition	
		ON	OFF
①	Power SW	When slide switch is set to ON	—
②	BMSW	When old type lens is attached	When AF lens is attached
③	OCSW	When back cover is opened	When back cover is closed
④	WFSW	ON, OFF 3 times each, by advancing 1 frame of film	
⑤	WUSW	—	When film winding is completed
⑥	AVSW	—	When diaphragm ring is reset
⑦	MUSW	—	When mirror moves UPward
⑧	SESWW	—	When running of the first curtain is completed
⑨	XSW	When running of the second curtain is completed	—
⑩	RWSW	When R button is pressed	—
⑪	DISPSW	When release button of the grip is pressed by half	—
⑫	RELSW	When release button of the grip is pressed perfectly	—



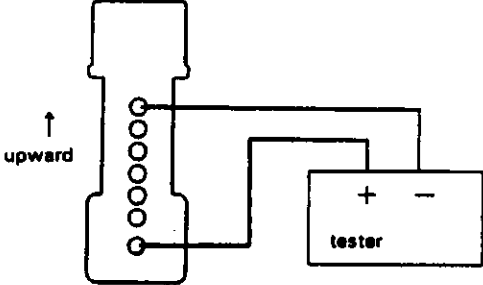
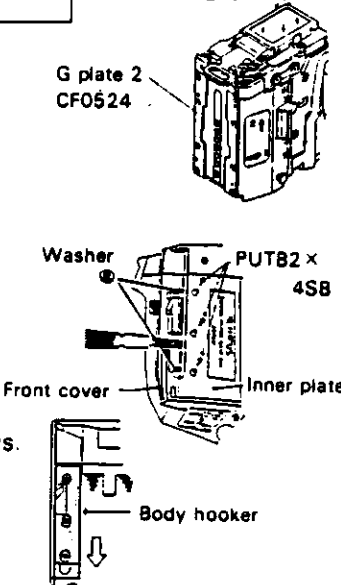


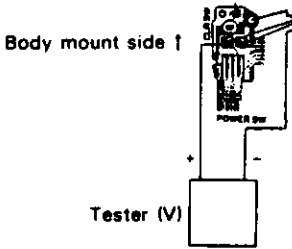
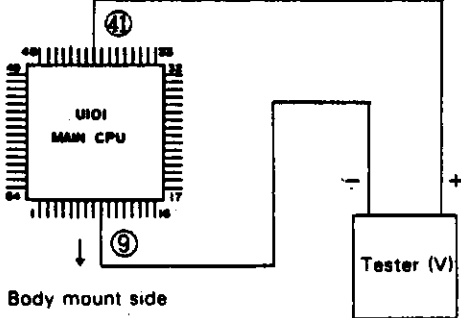
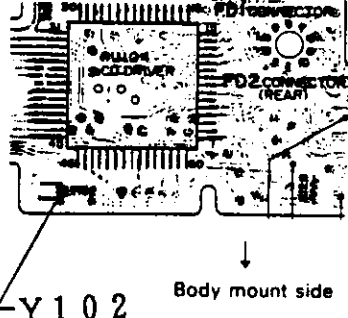
5. TROUBLE SHOOTING CONCERNING ITEMS SHOWN IN THE FLOWCHART

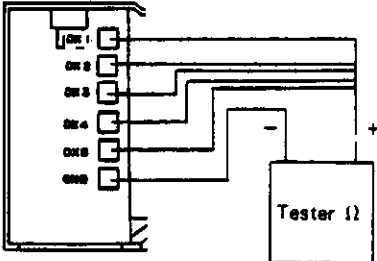
5.1 Initial indication of LCD panel

- When the power switch is turned ON, indication such as shown in right figure should be indicated.
- (remark): New batteries should be used.



State	Cause and checking method	Measure
No indication	<p>(1) Power is not supplied from the grip. About 6V of the battery is enough.</p> 	Repair the grip
	<p>(2) Contact of the grip and the camera body is imperfect.</p> <p>a. Imperfect contact due to dust and dirt. b. Imperface contact due to shortage of contact height.</p> <p>c. Imperfect contacts due to inadequate fitting between the grip and the camera body</p> <p>① Replace with new G plate 2 (CF0524)</p> <p>② <u>In case of grip 300</u> Remove 3 screws (PUTB× 4SB), and make a opening by inserting a screw driver between inner plate (CB4004) and front cover (CB4003), insert 1 washers (CE3543) into opening upper and lower part each, and fasten 3 screws.</p> <p>③ <u>In case of grip 100</u> Remove body hooker to lower ise, and fasten it by 3 screws.</p> 	Clean contact Repair the grip

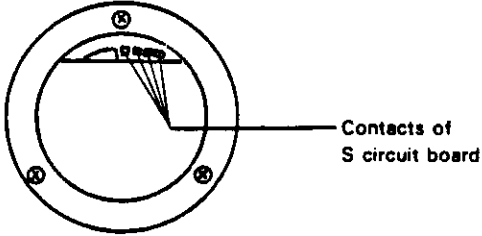
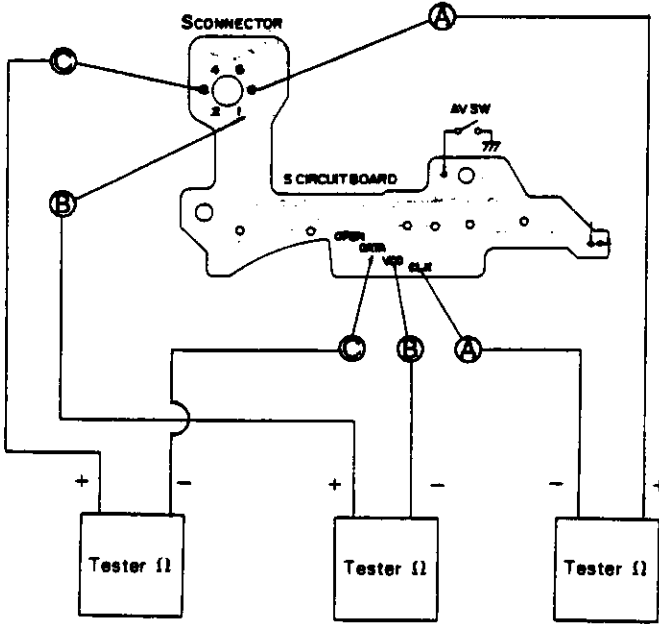
State	Cause and checking method	Measure
No indication	<p>(3) Imperfect contact of the power SW B circuit board (ZC6129)</p>  <p>Body mount side ↑</p> <p>↑ Make short this 2 point by tweezers, and if something is indicated, contact of the power SW is imperfect.</p> <p>↓ Check voltage at this point, and if this is not same as the battery voltage (about 6V), check the items (1), (2) again.</p> <p>Tester (V)</p> <p>(4) Imperfect soldering of Y102 or defective of Y102 Measure voltage between pin 9 and 41 of the MAIN CPU. When the voltage reading is 5.5 ~ 5.7V and nothing is indicated, repair soldering or replace with new Y102. (Remark) Voltage should be measured within 30 sec. after turning on power SW.</p>   <p>Body mount side ↓</p> <p>Body mount side ↓</p> <p>Y 1 0 2</p> <p>(5) Defect of M circuit board When the voltage reading is normal and nothing is indicated in spite of replacing with new Y102, M circuit board is defective.</p> <p>(6) Imperfect contact of B2 connector When voltage reading between pin 9 and 41 of the MAIN CPU is "0" volt, check loosing and dirt of B2 connector.</p> <p>(7) Defect of DC/DC convertor (B circuit board) When voltage reading between pin 9 and 41 of the MAIN CPU is "0" volt in spite of cleaning B2 connector, DC/DC convertor is defective.</p>	<p>Clear the power SW</p> <p>Repair soldering or replace with new Y102. (Remark) Each parts of Y102 cannot be supplied itself.</p> <p>Replace with new M circuit board (ZJ7090) Disassemble and clean B2 connector.</p> <p>Replace with new B circuit board (CF0705)</p>

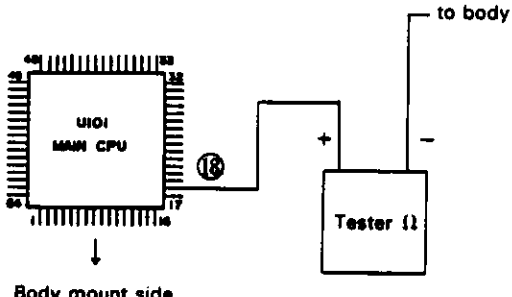
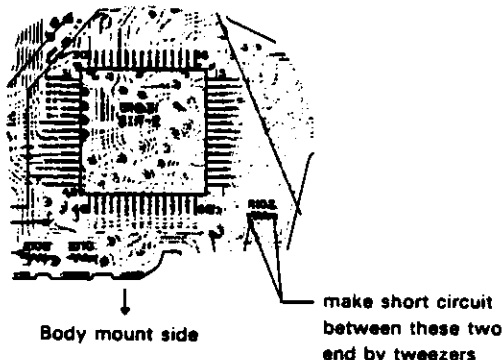
State	Cause and checking method	Measure
Mis-indication "EP" is indicated. <div style="border: 1px solid black; padding: 5px; width: fit-content; margin: 10px auto;"> EP </div>	(1) Imperface contact of DX connector Check loosing and dirt of DX connector. (2) Defect of E ² P-ROM When mis-indication cannot be repaired in spite of cleaning and reassembling of DX connector. Replace with new DX circuit bord. (3) Defect of M circuit board When mis-indication cannot be repaired in spite of replacing of DX circuit board, replace with new M circuit board.	Disassemble and clean DX connector. Replace with new DX circuit board (ZC6122) Replace with new M circuit board (ZJ7090)
Mis-indication Other indication except ISO "100"	(1) Imperface contact of DX contacts If Resistance between each contact and GND is less than 5 ~ 6 Ω in conduction check, contacts are normal. (Remark) Take care of not to press contacts in measuring. <div style="text-align: right; margin-top: 10px;">  </div>	Disassemble, clean and reassemble DX contact

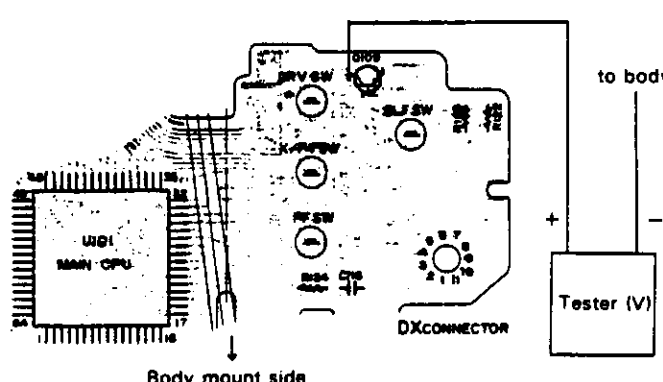
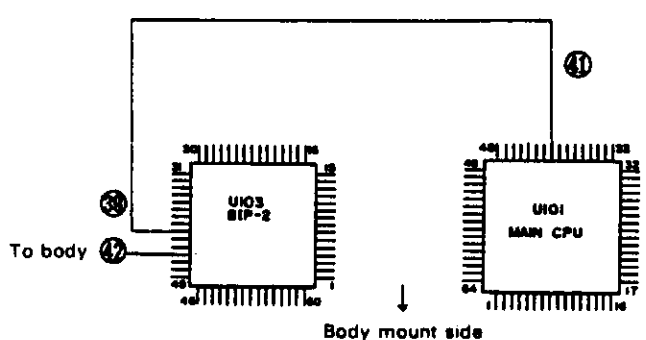
5.2 Reset

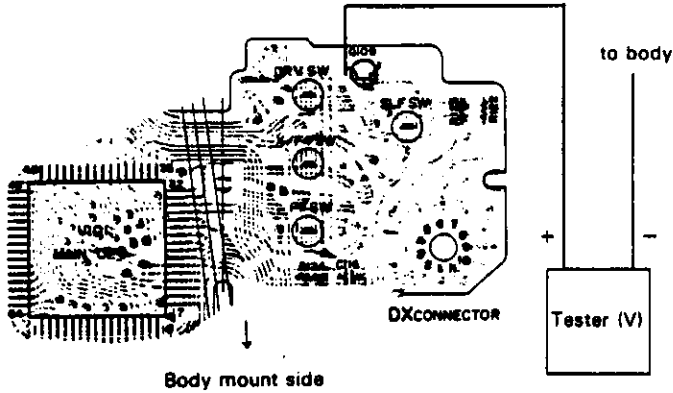
- Set the lens to ∞ , and initialize sequence.

(Some operation such as releasing of shutter, winding film and moving up and down of mirror are occurred, when the camera is not normal condition or power is turned off during operation.)


State	Cause and checking method	Measure
<p>Lens cannot be set to ∞.</p> <p>"AF", "PROGRAM" is not indicated on the LCD panel.</p>	<p>(1) Defect of lens (lens ROM) Check with normal lens.</p> <p>(2) Imperfect contact of S-circuit board contacts Check the lens and dirt of S-circuit board.</p>  <p>(3) Imperfect contact of S connector Check loosening and dirt of S connector.</p> <p>(4) Breaking of S-circuit board conduction pattern Check resistance between A and B and B and C. If they are less than 5 ~ 6 Ω each, S-circuit board is normal.</p> 	<p>Repair the lens.</p> <p>Clean S-circuit board contacts.</p> <p>Disassemble and clean S connector. Replace with new S-circuit board.</p>

State	Cause and checking method	Measure
<p>Lens cannot be set to ∞.</p> <p>"AF", "PROGRAM" is not indicated on the LCD panel.</p>	<p>(5) Short of BMSW Check resistance between MAIN CPU (18) and GND (body) · If it is $\infty \Omega$, BMSW is normal. · If it is 0Ω, BMSW is short circuit. (Remark) The lens should be attached to the body correctly.</p>  <p>(6) Imperfect soldering or breaking wire of R102 Make short between both end of R102 by tweezers. If the lens is set to ∞ by this operation, imperfect soldering or breaking wire of R102 is occurred.</p>  <p>(7) Imperfect contact of F1 and F2 connector Check loosing and dirt of F1 and F2 connector. (Remark) In case of imperfect contact of F1, F2 connector, LCD in F does not indicate and shutter is not release, but shutter is release if the lens is removed and the power switch is turned ON. Next, the lens is attached again, then "AF", "PROGRAM" is indicated on the LCD panel, LCD in F indicates, but the shutter is not released.</p>	<p>Reform or disassemble and clean BMSW (ZC6108, CF0256)</p> <p>Repair soldering or replace with new circuit board (Remark) R102 is not supplied as parts itself.</p> <p>Disassemble and clean F1 and F2 connector.</p>

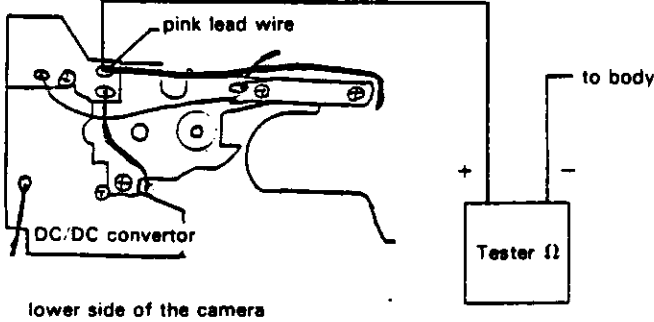
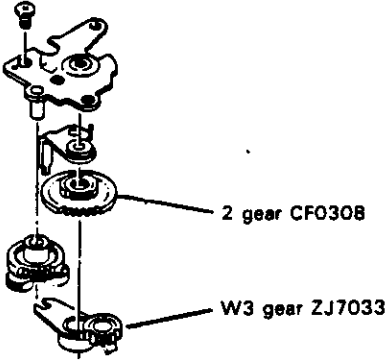
State	Cause and checking method	Measure
<p>Lens cannot be set to ∞.</p> <p>“AF”, “PROGRAM” is not indicated on the LCD panel.</p>	<p>(8) Defect of AF CPU Measure voltage between Q109 collector and GND (body). If the voltage is more than 5V and lens cannot be set to ∞, replace with new AF CPU (F circuit board 2) (Remark) The voltage should be measured within 30 sec. after turning ON of power switch.</p>  <p>(9) Defect of M circuit board Replace with new M circuit board if trouble is not repaired in spite of replacing with new F circuit board 2.</p>	<p>Replace with new F circuit board 2 (ZC6113)</p> <p>Replace with new M circuit board (ZJ7090)</p>
<p>lens cannot be set to ∞.</p> <p>“AF”, “PROGRAM” is indicated on the LCD panel.</p>	<p>(1) Defect of lens (HELICOID) Check with a normal lens.</p> <p>(2) Defect of AF motor AF gear unit Connect BP-2 (42) to GND (body) and (39) to MAIN CPU (41) each. If the lens move to ∞ position from the closest position, AF motor or AF gear unit are normal.</p> 	<p>Repair the lens</p> <p>Replace with new AF motor (ZC6160) or F base plate (ZC6110)</p>

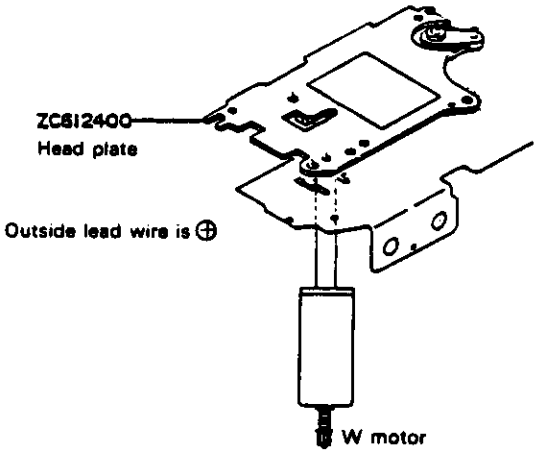
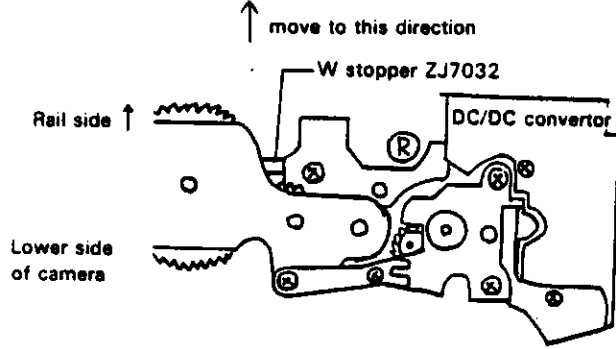
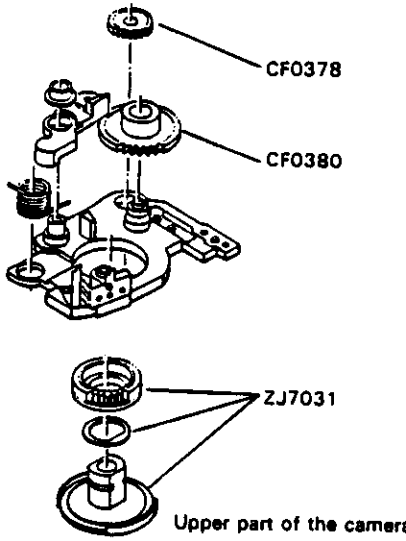
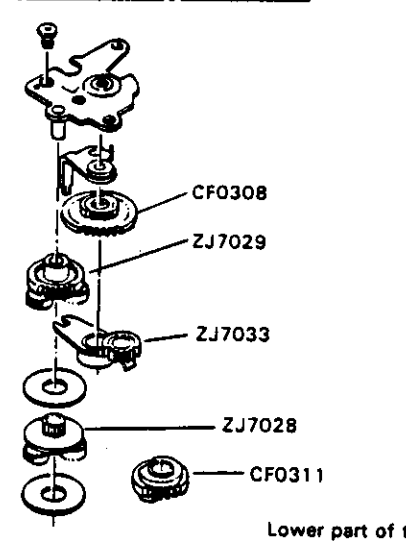
State	Cause and checking method	Measure
<p>lens cannot be set to ∞.</p> <p>"AF", "PROGRAM" is indicated on the LCD panel.</p>	<p>(3) Defect of AF CPU Measure voltage between Q109 collector and GND (body). If the voltage is more than 5V and lens cannot be set to ∞, replace with new AF CPU (F circuit board 2). (Remark) The voltage should be measured within 30 sec. after turning ON of power switch.</p>  <p>(4) Defect of M circuit board Replace with new M circuit board if trouble is not repaired in spite of replacing with new F circuit board.</p>	<p>Replace with new F circuit board 2 (ZC6113)</p> <p>Replace with new M circuit board (ZJ7090)</p>

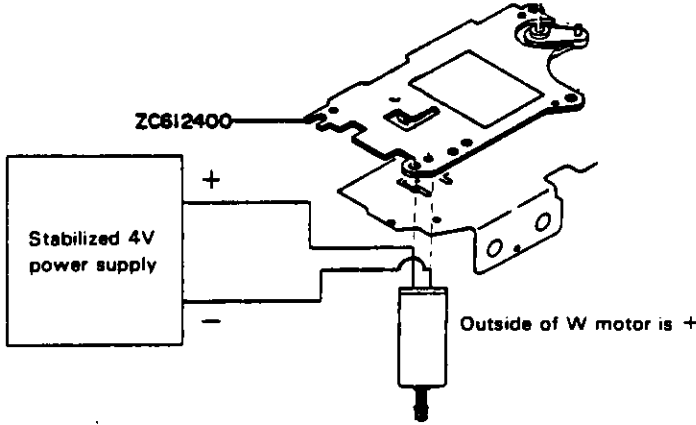
5.3 Indication of LCD panel

- After reset, indication such as shown in right figure is indicated, patrone mark () blinks.
- Patrone mark disappears 30 sec. after reset, if the camera is left alone.



State	Cause and checking method	Measure
R mark is indicated.	<p>(1) Imperfect contact of WUSW Measure resistance between pink lead wire and the camera body, if it is less than $5 \sim 6 \Omega$, WUSW is normal. (Remark) Film winding should be completed in this case. If winding is not completed, complete it by turning the sprocket with fingers.</p>  <p>lower side of the camera</p> <p>(2) Break of W3 gear When W3 gear is broken, check mesh condition of W3 gear and 2 gear. If mesh of gears is not adequate, replace with new 2 gear.</p> <p>lower side of the camera</p> 	<p>Clean, adjust or replace WUSW (assembled in ZJ7027)</p> <p>Replace with new W3 gear (ZJ7033)</p>

State	Cause and checking method	Measure
R mark is indicated	<p>(3) Short circuit of W motor lead wire ⊕ and head plate (ZC6124)</p>  <p>(4) Stopping of W gear etc. (due to Foreign substance, sands etc.) Remove the stopper (ZJ7032) towards the rail side and turn the sprocket with fingers. If the sprocket turns smoothly, gears are normal.</p> 	<p>Reform the lead wire and repair soldering.</p> <p>Clean W gears etc. or replace with new one.</p>
	 	

State	Cause and checking method	Measure
R mark is indicated.	<p>(5) Defect of W motor Apply voltage (about 4V) directly as shown below figure. If the motor rotates, it is normal. (Remark) The stopper (ZJ7032) should be removed towards the film rail side, when voltage is applied. (refer to previous page)</p> 	Replace with new W motor (ZC6163)
<p>mark is turned on (LCD in F does not indicate, shutter is not release.)</p> <p>mark blinks</p>	<p>(1) Imperfect contact of DX connector Check loosening and dirt of DX connector.</p> <p>(2) Imperfect contact of E²P-ROM Replace with new DX circuit board when trouble is not repaired in spite of cleaning and reassembling of DX connector.</p> <p>(3) Imperfect contact of M circuit board Replace with new M circuit board when trouble is not repaired in spite of replacing of DX circuit board.</p> <p>(1) Imperfect adjustment of M circuit board (Remark) Battery voltage and capacity should be checked before adjustment.</p> <p>(2) Defect of M circuit board Replace with new M circuit board when trouble is not repaired in spite of adjusting locking voltage.</p>	<p>Disassemble and clean DX connector. Replace with new DX circuit board (ZC6122)</p> <p>Replace with new M circuit board (ZJ7090)</p> <p>Adjust battery check voltage of M circuit board. Replace with new M circuit board (ZJ7090)</p>

State	Cause and checking method	Measure
Indication is partially lacking.	(1) Defect of M circuit board.	Replace with new M circuit board (ZJ7090)
"AF", "PROGRAM" is not indicated on the LCD panel.	(1) Defect of M circuit board Check whether the lens can be set to ∞ or not, when power switch is turned ON. a. When cannot be set to ∞ : Return to the "Reset" item of flowchart again. b. When can be set to ∞ : M circuit board is defective.	Replace with new M circuit board (ZJ7090)

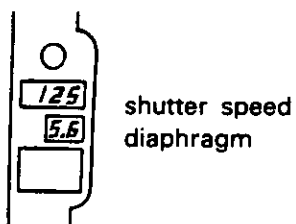
5.4 LCD indication in finder

· Shutter speed and diaphragm which are shown in the below program diagram according as brightness and type of the lens are indicated in the finder.

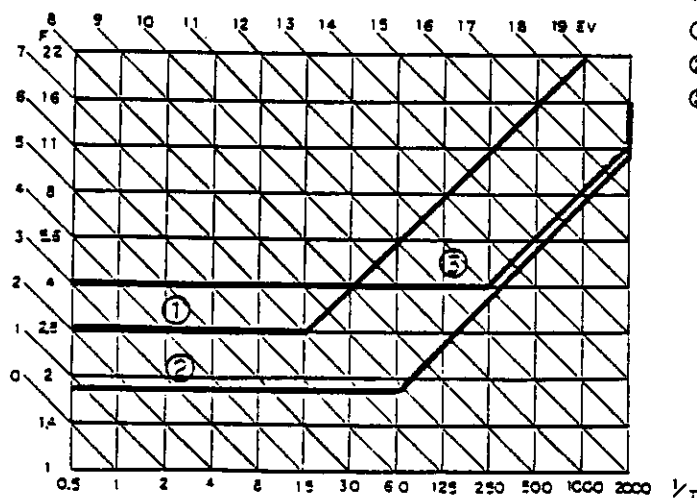
(Remark)

- ① These are indicated within 30 sec. after turning ON of power switch.
- ② When these are not indicated or the inaccuracy of indication due to non-returning of the diaphragm ring or the mirror, repair these trouble first.

Indication in Finder



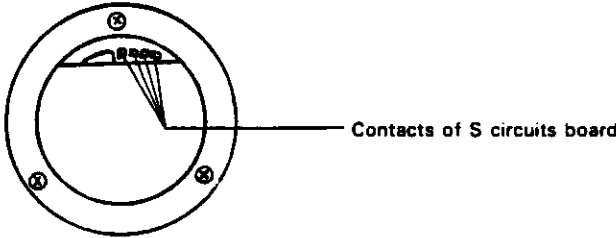
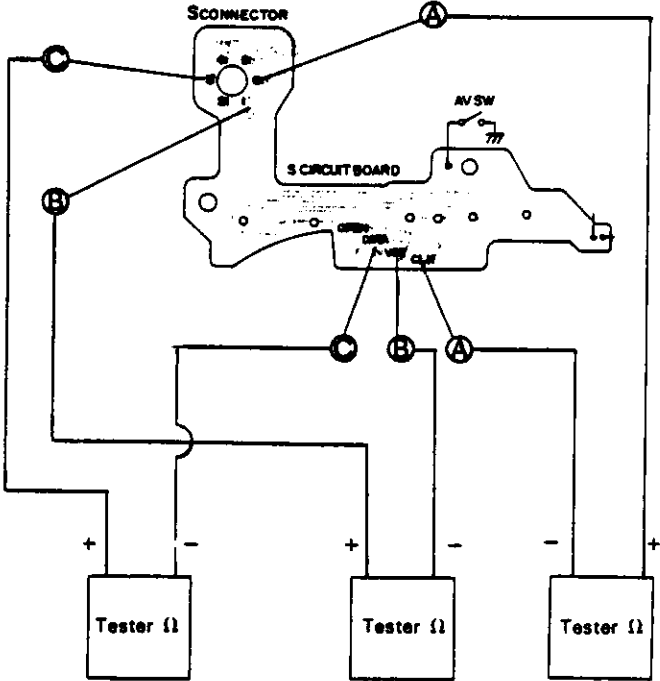
program diagram

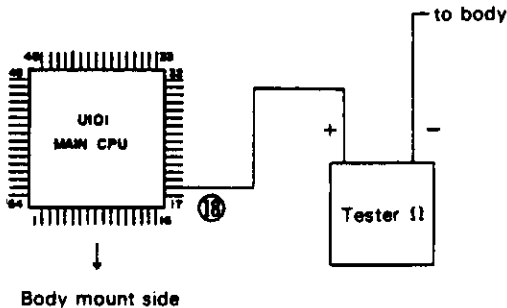
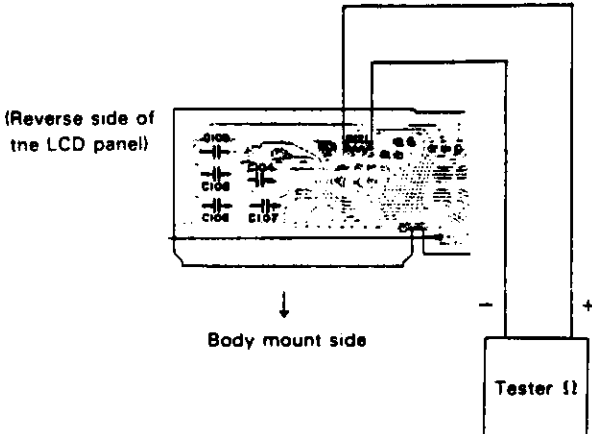


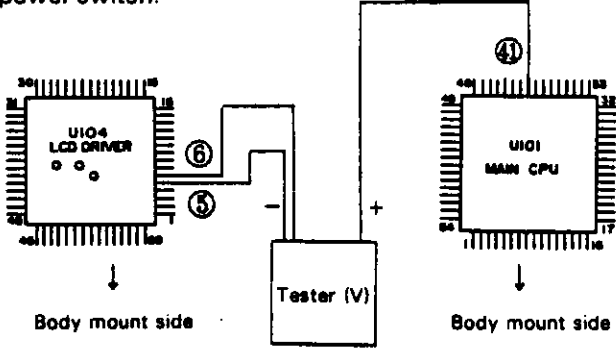
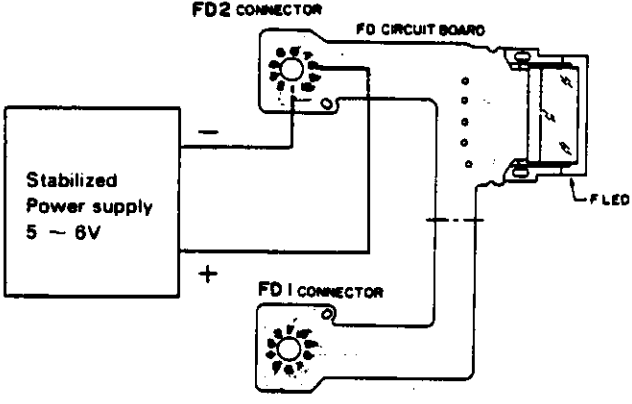
example

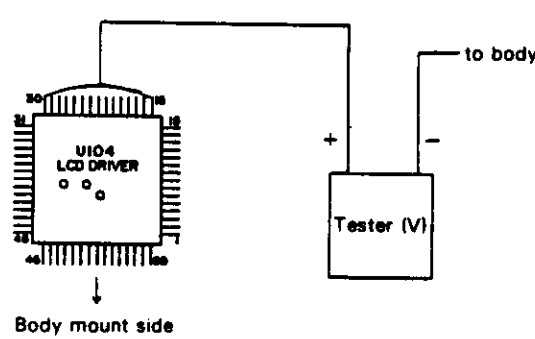
- ① 28mm F2.8
- ② 50mm F1.8
- ③ 70~210mm F4 @ 210mm

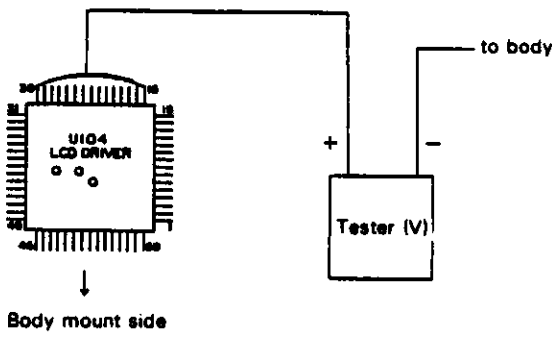
Class.	Focal length	Bending point
W	under 34mm	1/15
S	more than 34mm under 90mm	1/60
T	more than 90mm	1/250

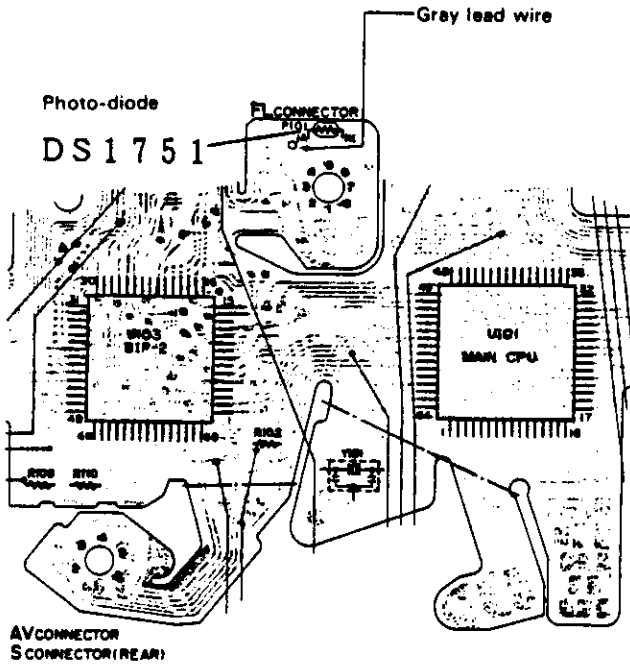
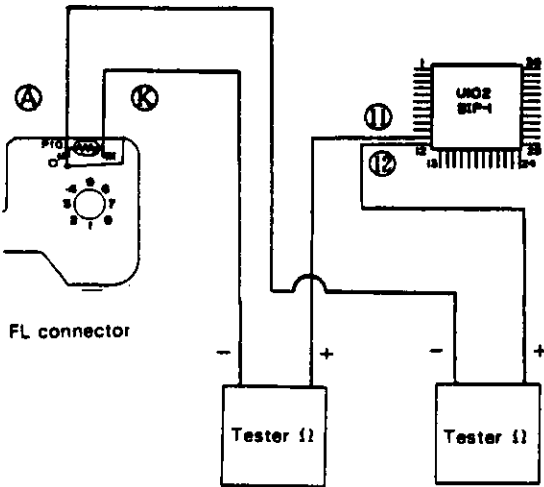
State	Cause and checking method	Measure
<p>No indication</p>	<p>(1) Defect of the lens Check with a normal lens</p> <p>(2) Imperfect contact of S circuit board contacts Check dirt of contacts of the lens and the body.</p>  <p>(3) Imperfect contact of S connector Check loosening and dirt of S connector.</p> <p>(4) Break of S circuit board pattern Check resistance between A and A , B and B , C and C as shown below. If they are less than 5 ~ 6 Ω , S-circuit board pattern is normal.</p> 	<p>Repair the lens</p> <p>Clean contacts</p> <p>Disassemble and clean S connector</p>

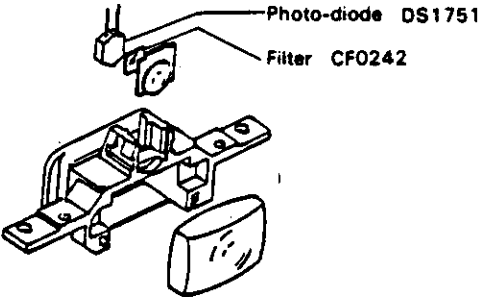
State	Cause and checking method	Measure
No indication	<p>(5) Short circuit of BMSW Check resistance between MAIN CPU (18) and GND (body) $\infty \Omega$ → normal condition 0Ω → short circuit (Remark) The lens should be attached correctly.</p>  <p>(6) Defective soldering of R121 Measure resistance of R121. If it is 270Ω, R121 is normal. (Remark) Resistance should be measured after turning OFF of the power switch.</p> 	<p>Reform or disassemble and clean BMSW (ZC6108, CFO256)</p> <p>Repair soldering or replace with new circuit board. (Remark) R121 is not supplied as parts itself.</p>

State	Cause and checking method	Measure
No indication	<p>(7) Defect of LCD. D Signal is not output from LCD. D ⑤, ⑥. Measure voltage by contacting the tester ⊕ to MAIN CPU 41 and tester ⊖ to LCD. D ⑤, ⑥. If they are 5 ~ 5.7V, LCD. D is normal. (Remark) Voltage should be measured within 30 sec. after turning ON of power switch.</p>  <p>(8) Imperfect contact of FD1, FD2 connector Check loosing and dirt of FD1, FD2 connector.</p> <p>(9) Breaking wire of F. LED Breaking wire of LED which illuminates LCD in F. Apply to voltage (5 ~ 6V) between FD 2 connector 8 (+) and 1 (-) of FD circuit board. If F. LED is turned on, it is normal. FD 2 connector is located under of FD 1 connector at reverse side of LCD Panel.</p> 	<p>Replace with new M circuit board (ZJ7090)</p> <p>Disassemble and clean FD1, FD2.</p> <p>Replace with new FD circuit board (ZC6161)</p>

State	Cause and checking method	Measure
No indication	<p>(10) Defect of FD circuit board Measure voltage between LCD. D ①⑥ ~ ③⑩ and the body. When each voltage is within 3.4 ~ 3.6V but nothing is indicated, FD circuit board is defective. (Remark) Voltage should be measured within 30 sec. after turning ON of power switch.</p>  <p style="text-align: center;">↓ Body mount side</p> <p>(11) Defect of M circuit board When no voltage is measured in the above item, M circuit board is defective.</p>	<p>Replace with new FD circuit board (ZC6161)</p> <p>Replace with new M circuit board (ZJ7090)</p>

State	Cause and checking method	Measure
<p>Indication is partially lacking.</p>	<p>(1) Imperfect soldering or defect of LCD.D Measure voltage between pin ①⑥ ~ ③① and GND (body). If voltage of 3.4 ~ 3.6V is not induced at each pin, repair soldering at each pin. And, if voltage above mentioned is not induced at each pin even after repairing soldering, LCD.D is defective. (Remark) Voltage should be measured within 30 sec. after turning ON of power SW.</p>  <p>(2) Defect of M circuit board If no voltage is induced between pin ①⑥ ~ ③① and GND (body), M circuit board is defective.</p>	<p>Repair soldering of LCD.D, or Replace with new M circuit board (ZJ7090)</p> <p>Replace with new M circuit board (ZJ7090)</p>

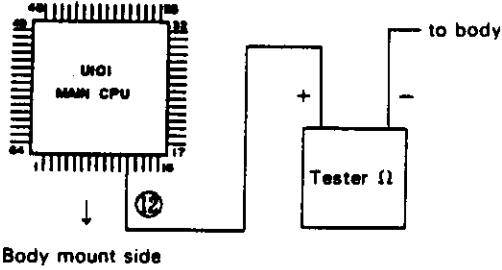
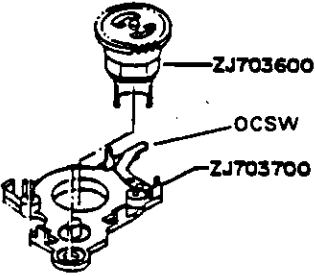
State	Cause and checking method	Measure
<p>Indication is not changed in "Lo, 1.8". (when AS 5018 lens is used.)</p>	<p>(1) Gray lead wire projected from the photo-diode (DS1751) is caught between the body and the upper plate, and short circuit is made.</p>  <p>(2) Break of the photo-diode (DS1751) Replace with new photo-diode, as decision of good one or defective one is troublesome in single parts condition.</p> <p>(3) Break of M-circuit board pattern Check resistance between BP-1 ⑪ and photo-diode ① between BP-1 ⑫ and photo-diode ② each. If resistance is less than 5 ~ 6 Ω, M circuit board is normal.</p> 	<p>Reform gray lead wire.</p> <p>Replace with new photo-diode (DS1751) Repair M circuit board pattern, or replace with new M circuit board.</p>

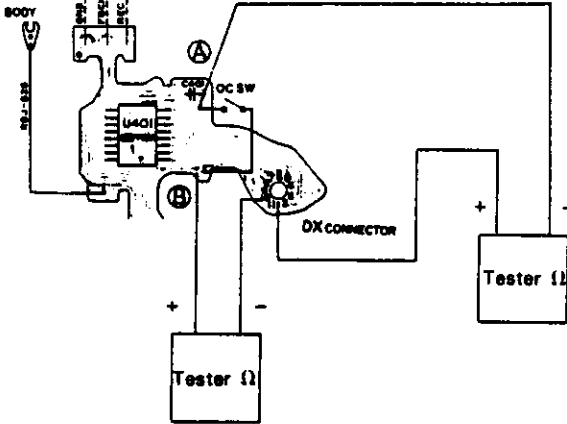
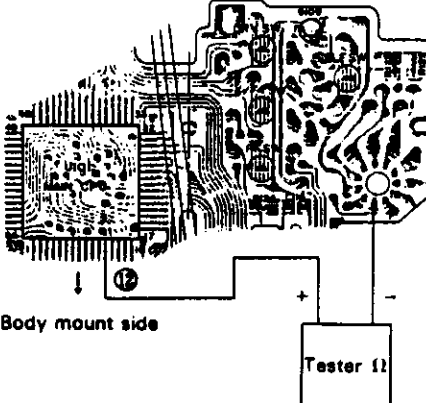
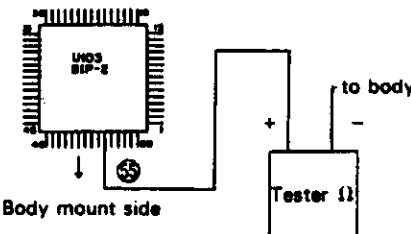
State	Cause and checking method	Measure
<p>Indication is not changed in "Lo, 1.8". (when AS 5018 lens is used.)</p> <p>Inaccuracy of indication</p>	<p>(4) Imperfect soldering of BP-1 (11) , (12) Check disconnection of solder and imperfect contact.</p> <p>(5) Defect of M circuit board If trouble is not repaired by procedure mentioned above, replace with new M.</p> <p>(1) Imperfect adjustment</p> <p>(2) Defect of photo-diode (DS1751) If trouble is not repaired by readjusting, replace with new photo-diode. (Remark) It should be confirmed that the blue filter is located in front of the photo-diode.</p>  <p>(3) Defect of M circuit board If trouble is not repaired even by replacing of photo-diode, replace with new M circuit board.</p>	<p>Repair soldering of BP-1 (11) , (12)</p> <p>Readjust it.</p> <p>Replace with new photo-diode. (DS1751)</p> <p>Replace with new M circuit board (ZJ7090)</p>

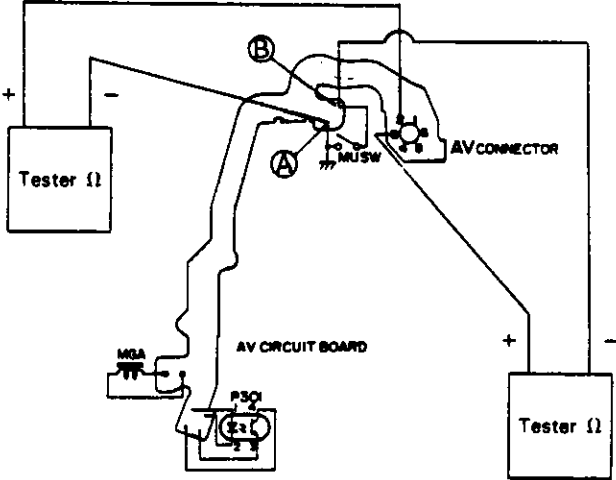
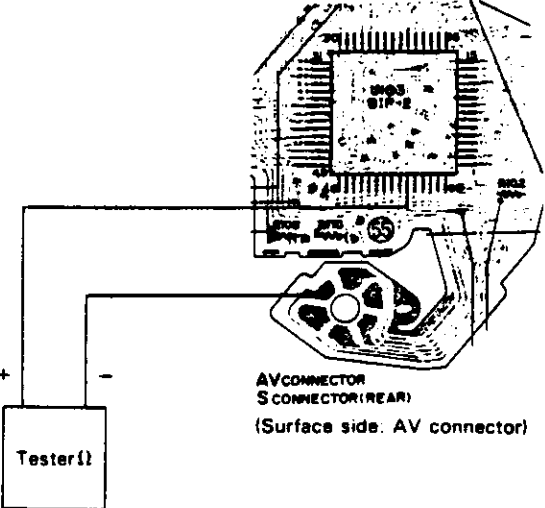
5.5 Idle feeding of film

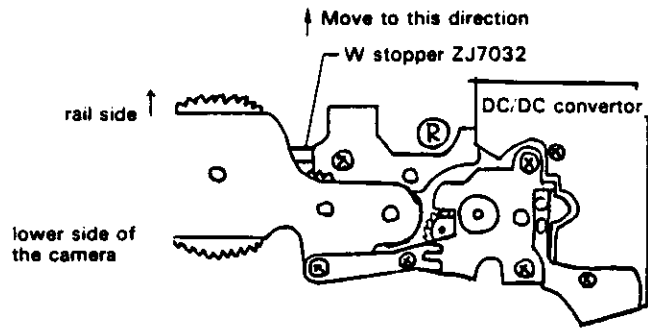
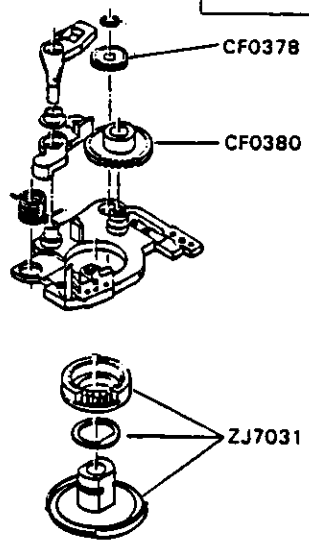
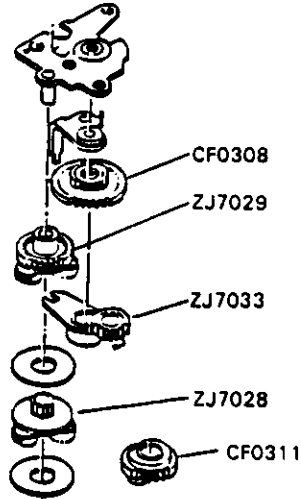
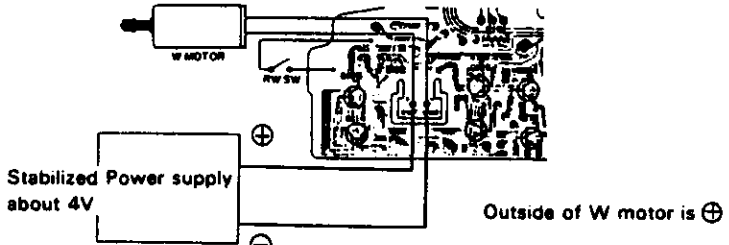
· Moving up and down of the mirror and winding operation of film are practiced 4 times each, and "1" is indicated in the film counter. Indication such as shown in right figure is indicated in the LCD panel after idle feeding of film.

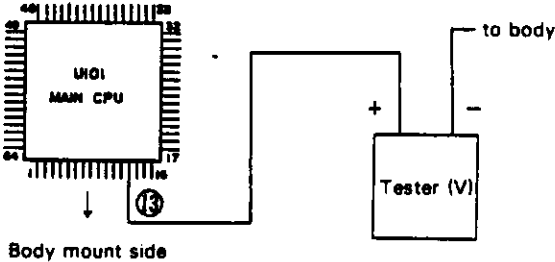
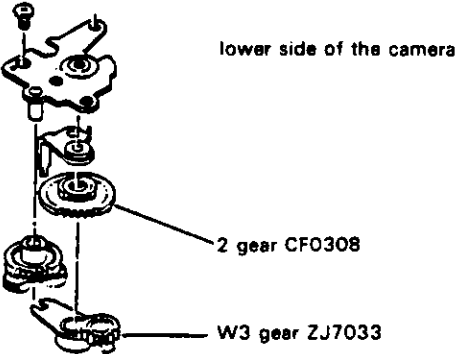


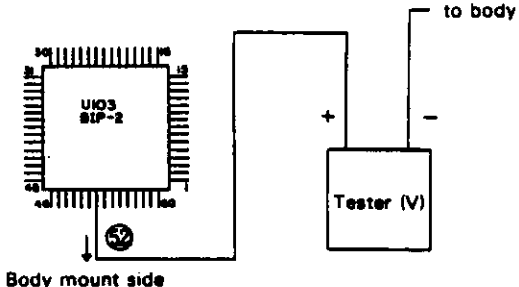
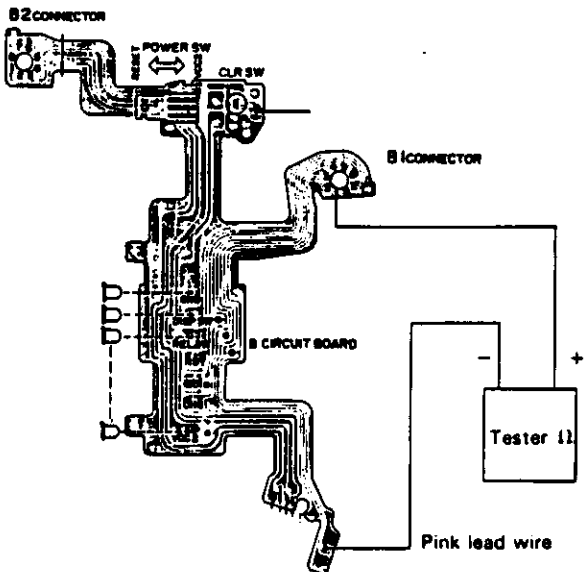
State	Cause and checking method	Measure
Does not start	<p>(1) Imperfect contact, short circuit, imperfect soldering of OCSW. Measure resistance between MAIN CPU (12) and GND (body). If it is value of mentioned below, OCSW is normal. When rear cover is opened → less than 10kΩ When rear cover is closed → ∞Ω (Remark) If the check mentioned above is alright, items of (2) ~ (4) is not required to check further.</p>  	Repair soldering, clean or replace OC SW (attached to ZJ7037).
	<p>(2) Imperfect contact of DX connector Check loosing and dirt of DX connector.</p>	

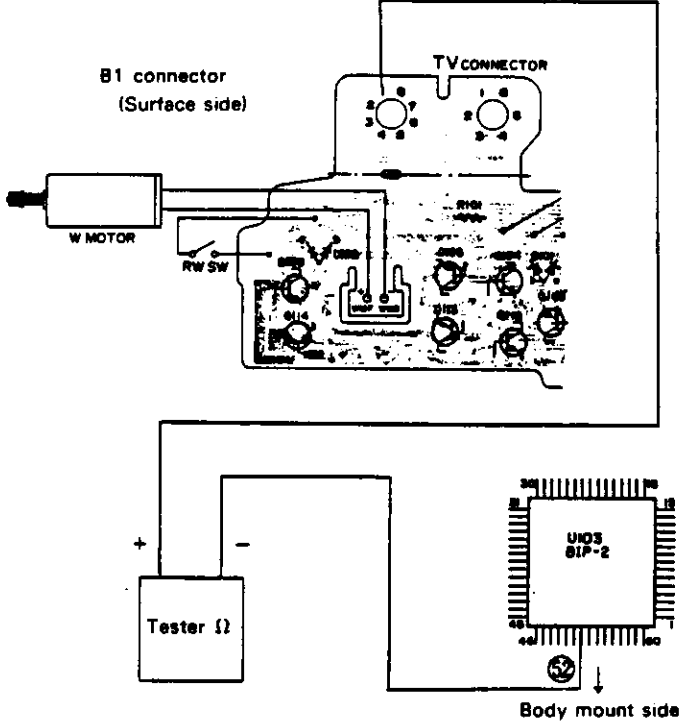
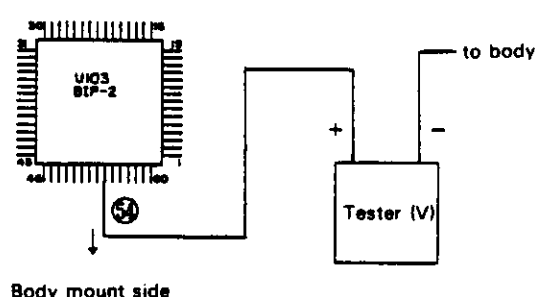
State	Cause and checking method	Measure
Does not start	<p>(3) Break of circuit pattern of DX circuit board Check resistance between DX connector ① and OCSW ②, between DX connector ⑩ and OCSW ③. If it is less than 5~6 Ω, DX circuit board is normal.</p> 	Replace with new DX circuit board (ZC6122)
	<p>(4) Break of circuit pattern of M circuit board Check resistance between MAIN CPU ⑫ and DX connector ①. If it is less than 5~6 Ω, M-circuit board is normal.</p> 	Replace with new M circuit board (ZJ7090)
	<p>(5) Imperfect contact or soldering of MUSW Check resistance between BP-2 ⑮ and GND (body), if it is 0 Ω, MUSW is normal. If the check mentioned above is alright, items of (6)~(8) is not required to check further.</p> 	Repair soldering, clean or replace MU SW (CF0091, ZC6157)

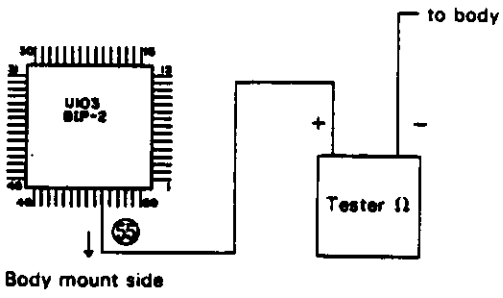
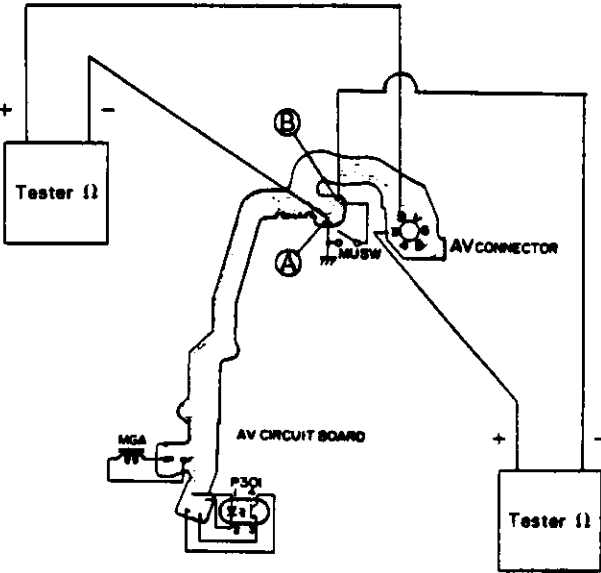
State	Cause and checking method	Measure
Does not start	<p>(6) Imperface contact of AV connector Check loosing and dirt of AV connector.</p> <p>(7) Break of circuit pattern of AV circuit board Check resistance between MUSW A and AV connector ② between MUSW B and AV connector ③. If they are less than 5 ~ 6 Ω, AV circuit board is normal.</p> 	<p>Disassemble and clean AV connector.</p> <p>Replace with new AV circuit board (ZJ7044)</p>
	<p>(8) Break of circuit pattern of M circuit board Check resistance between BP-2 ⑤ and AV connector ③. If it is less than 5 ~ 6 Ω, M-circuit board is normal.</p> 	<p>Replace with new M circuit board (ZJ7090)</p>

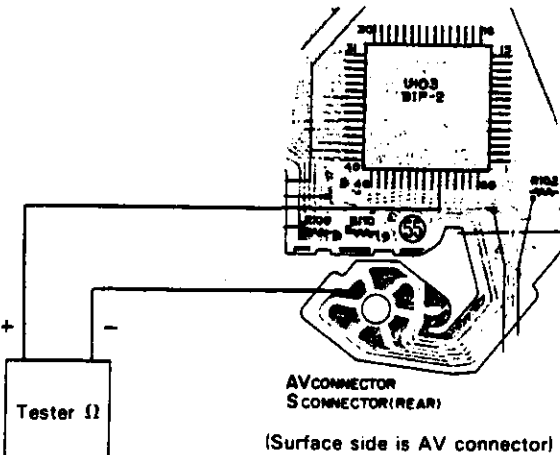
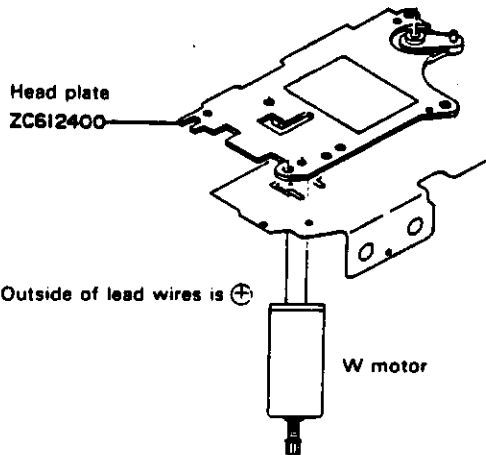
State	Cause and checking method	Measure
Does not start	<p>(9) Stopping of W gear etc. (due to foreign substance, sands etc.) Remove the stopper (ZJ7032) towards the film rail side and turn the sprocket with fingers. If the sprocket turns smoothly, gears are normal.</p>   <p>upper part of the camera</p>  <p>lower part of the camera</p>	Clean W gears etc. or replace with new one.
	<p>(10) Defect of W motor Apply voltage (about 4V) directly to the motor. If motor rotates, it is normal. (Remark) The stopper should be removed towards the film rail side, when voltage is applied. (Refer to the above figure)</p> 	Replace with new W motor. (ZC6163)

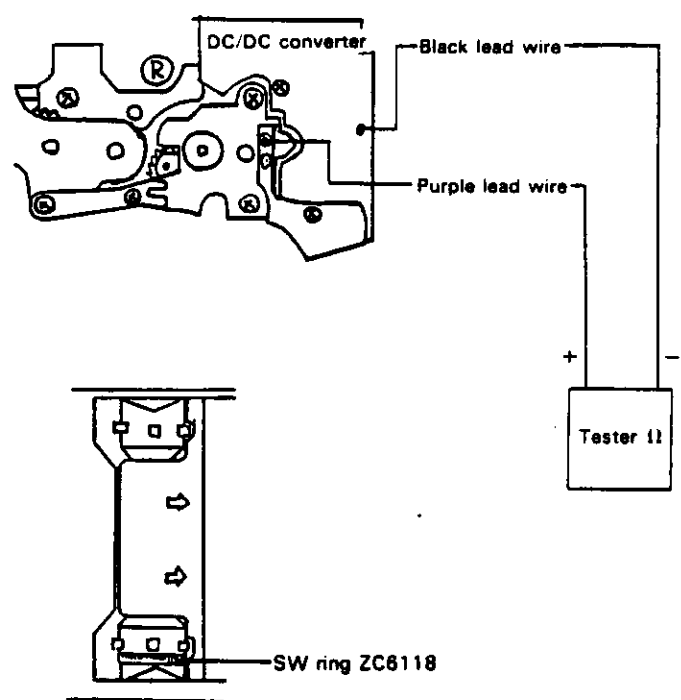
State	Cause and checking method	Measure
Does not start	<p>(11) Defect of AV motor or AV motor gear unit Apply voltage (about 4V) directly to the AV motor. If the mirror moves up and down, they are normal. When white lead wire of the AV motor is connected to ⊕ side, and green lead wire to ⊖ side, the mirror moves upwards, and when lead wires are connected to the reverse side, the mirror moves downwards. (Remark) Connection should be removed immediately after completion of moving up and down of the mirror, lest AV motor and gears etc. should break.</p> <p>(12) Defect of M circuit board If trouble is not repaired even by measure mentioned above, replace with new M circuit board.</p>	<p>Replace with new AV motor (ZC6155) or A base plate (ZC6103)</p> <p>Replace with new M circuit board. (ZJ7090)</p>
Mis-operation a. Film is rewinded.	<p>(1) Short circuit of RWSW Measure voltage between MAIN CPU ⑬ and GND (body), if it is 4 ~ 6V, RWSW is normal</p> 	<p>Reform RWSW or replace with new one. (assembled in ZJ7038)</p>
b. Film is winded only 1 time.	<p>(1) Break of W gear When W3 gear is broken, check mesh condition of W3 gear and 2 gear. If mesh of gears is not adequate, replace with new 2 gear.</p> 	<p>Replace with new W3 gear (ZJ7033)</p>

State	Cause and checking method	Measure
<p>b. Film is wound only 1 time.</p>	<p>(2) Imperfect contact or soldering of WUSW Measure voltage between BP-2 (52) and GND (body), if it is less than 5~6mV, WUSW is normal. In this case, items of (3)~(5) below is not required to check. (Remark) · Voltage should be measured within 30 sec. after turning ON of power SW. · Fil winding should be completed. Complete it by turning the sprocket with fingers, if it is not.</p>  <p>(3) Imperfect contact of B1 connector Check loosing and dirt of B1 connector.</p> <p>(4) Break of circuit pattern of B circuit board Check resistance between B1 connector ① and pink lead wire, if it is less than 5~6Ω, B-circuit board is normal.</p> 	<p>Clean, repair soldering, adjust or replace WUSW. (assembled in ZJ7027)</p> <p>Disassemble and clean B1 connector. Replace with new B circuit board (ZC6129)</p>

State	Cause and checking method	Measure
<p>b. Film is wound only 1 time.</p>	<p>(5) Break of circuit pattern of M circuit board Check resistance between B1 connector ① and BP-2 ⑤2 if it is less than 5 ~6Ω, M-circuit board is normal.</p> 	<p>Replace with new M circuit board (ZJ7090)</p>
<p>c. The mirror moves up and down each 2 times, and film is wound 4 times.</p>	<p>(1) Short circuit of AVSW Measure voltage between BP-2 ⑤4 and GND (body). If it is 5.5 ~5.7V, AVSW is normal.</p> <ul style="list-style-type: none"> · Voltage should be measured within 30 sec. after turning ON of power SW. · When diaphragm ring is not returned, repair it first. 	<p>Reform or replace AVSW. (CF0245, CF0246)</p>

State	Cause and checking method	Measure
<p>d. The mirror moves up and down 4 times each, and film is not winded.</p>	<p>(1) Imperfect contact or soldering of MUSW Check resistance between BP-2 (55) and GND (body), if it is less than 5 ~ 6 Ω, MUSW is normal. In this case, items of (2) ~ (4) below is not required to check.</p>  <p>(2) Imperfect contact of AV connector Check loosening and dirt of AV connector.</p> <p>(3) Break of circuit pattern of AV circuit board Check resistance between MUSW (A) and AV connector (2) MUSW B and AV connector (3). If they are less than 5 ~ 6 Ω, AC circuit board is normal.</p> 	<p>Clean, repair soldering, or replace MUSW (CF0091, ZC6157)</p> <p>Disassemble and clean AV connector.</p> <p>Replace with new AV circuit board (ZJ7044)</p>

State	Cause and checking method	Measure
<p>d. The mirror moves up and down 4 times each, and film is not wound.</p>	<p>(4) Break of circuit pattern of M circuit board Check resistance between BP-2 (55) and AV connector (3), if it is less than 5 ~ 6 Ω, M circuit board is normal.</p> 	<p>Replace with new M circuit board (ZJ7090)</p>
<p>e. Others</p>	<p>(1) Short circuit of W motor ⊕ lead wire and upper plate (ZC6124)</p>  <p>(2) Removing of shutter blade Confirm it by seeing. Confirm it in the mirror box too by moving upwards the mirror with fingers.</p>	<p>Reform lead wire or repair soldering.</p> <p>Repair or replace the shutter. (ZC6135)</p>

State	Cause and checking method	Measure
<p>"1" is not indicated in the film counter.</p>	<p>(1) Imperfect contact of WFSW Measure resistance between black lead wire and purple lead wire shown at below figure, turning SW ring (ZC6118) located under the sprocket. If $0\Omega \rightarrow \infty$ is repeated 3 times per 1 rotation of SW ring, WFSW is normal.</p>  <p>(2) Defect of E²P-ROM When trouble is not repaired in spite of completion of winding film and normal contact of WFSW, E²P-ROM is defective.</p>	<p>Clean or replace WF SW. (assembled to ZJ7027)</p> <p>Replace with new DX circuit board (ZC6122)</p>

5.6 AF range finding

· Range finding starts by pressing the release button by half (turn on DISP SW).

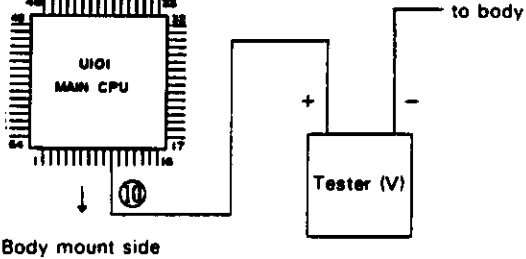
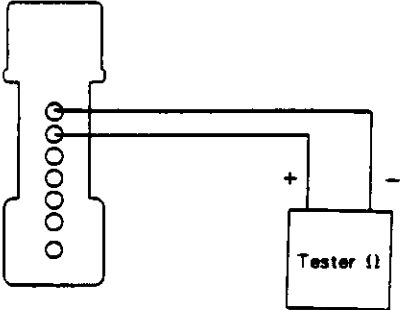
When focusing is set, green LED in the finder is turned on and shutter release is possible.

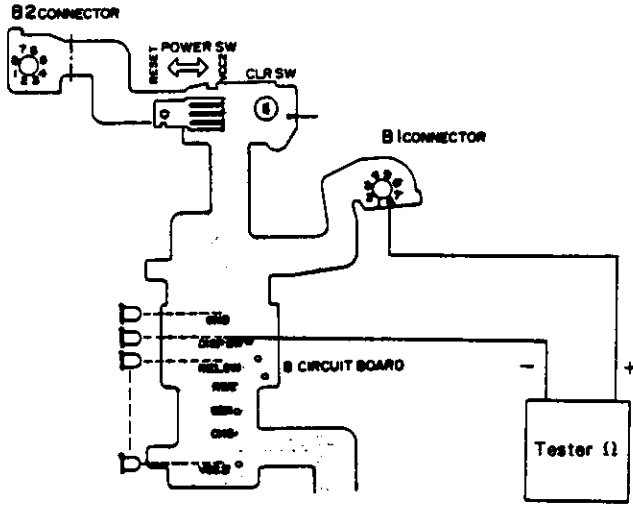
When object has no contrast such as white wall or has repeating pattern, range finding is impossible, red LED in the finder is turned on and shutter release is locked.

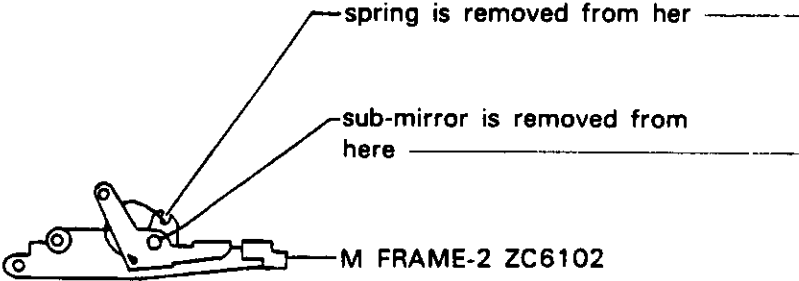
(Remark)

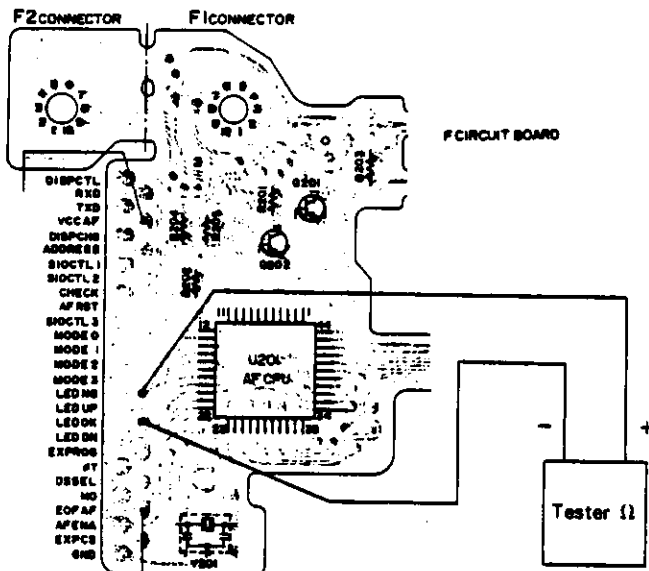
Cause of "Lens cannot operate" in the defect of AF range finding is mainly same as the cause of "Lens cannot be set to ∞ , when reset". So, check whether lens can be set to ∞ or not when the power switch is turned ON.

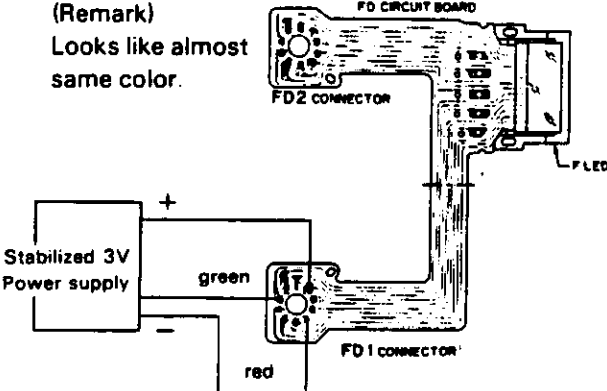
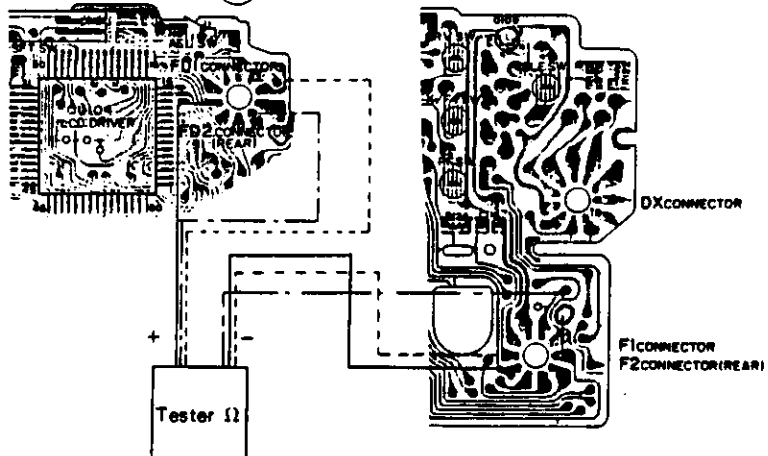
If lens cannot be set to ∞ , item of "Reset, lens cannot be set to ∞ " should be checked first.

State	Cause and checking method	Measure
<p>Range finding is impossible (lens does not operate)</p>	<p>(1) Signal of DISP SW is not input to MAIN CPU Measure voltage between MAIN CPU ⑩ and GND (body), when shutter release button is pressed by half. If it is 5.5 ~ 5.7V, voltage is allright. (Remark) If the above check is allright, items of (2) ~ (5) below is not required to check further.</p>  <p>(2) Defect of the grip Check contact condition of DISP SW after removing the grip from the camera. Check resistance between the first contact and the second contact of the grip such as shown in below figure. If it is less than 5 ~ 6 Ω, the grip is normal.</p> 	<p>Replace with new M circuit board (ZJ7090), when voltage is normal but lens does not operate.</p> <p>Repair the grip.</p>

State	Cause and checking method	Measure
<p>Range finding is impossible (lens does not operate)</p>	<p>(3) Imperfect contact of B1 connector Check loosing and dirt of B1 connector.</p> <p>(4) Break of circuit pattern of B circuit (ⓑ) and DISP SW. If it is less than 5 ~ 6 Ω, B circuit board is normal.</p>  <p>(5) Imperfect contact of the grip and the camera</p> <p>(6) Defect of M circuit board If trouble is not repaired by the above measure, M circuit board is defective.</p>	<p>Disassemble and clean B1 connector. Replace with new B-circuit board (ZC6129)</p> <p>Clean contact</p> <p>Replace with new M circuit board (ZC7090)</p>

State	Cause and checking method	Measure
<p>Range finding is impossible (lens operates).</p>	<p>(1) Removing of the sub-mirror Check it by seeing, moving upwards the mirror with fingers. There are two cases in which the sub-mirror is removed from mirror frame or a spring of the sub-mirror is removed from mirror frame.</p>  <p style="text-align: center;">M FRAME-2 ZC6102</p> <p>(2) Imperfect contact of F1, F2 connector Check loosing and dirt of F1, F2 connector.</p> <p>(3) Imperfect contact of PIF connector Check loosing and dirt of PIF connector.</p> <p>(4) Defect of PIF circuit board Replace with new circuit board as decision of good or defective is trouble.</p> <p>(5) Defect of AF circuit board When trouble is not repaired by the above measure, AF circuit board is defective.</p>	<p>Repair or replace M-frame 2 (ZC6102)</p> <p>Reform the hook lest a spring should be removed.</p> <p>Insert a washer (NW2.1-140PO) between M frame and sub-mirror to improve fitting.</p> <p>Disassemble and clean F1, F2 connector.</p> <p>Disassemble and clean PIF connector. Replace with new PIF circuit board (ZJ7045)</p> <p>Replace with new F circuit board 2 (ZC6113)</p>

State	Cause and checking method	Measure
<p>Red LED is turned on in spite of setting of focus.</p>	<p>(1) Defect of assembling F2 connector Circuit patterns of F2 connector ② LEDOK and ③ LEDNG are made short, so red LED is turned on in spite of setting focus and the shutter is not released. Check resistance between two test point shown in below figure. If it is less than 5 ~ 6 Ω. F2 connector is normal.</p> 	<p>Disassemble and reassemble F2 connector.</p>
<p>Inaccuracy of range finding.</p>	<p>(1) Imperfect setting of lens focus. (2) Imperfect setting finder focus. (3) Imperfect adjusting of AF.</p>	<p>Adjust lens focus. Adjust finder focus. Adjust AF</p>

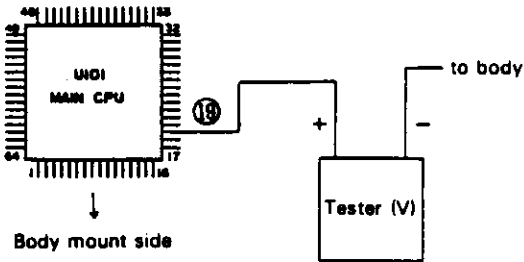
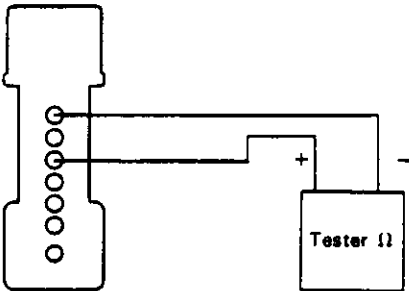
State	Cause and checking method	Measure
LED is not turned on.	<p>(1) Imperfect contact of FD1 connector Check loosening and dirt of FD1 connector.</p> <p>(2) Defect of FD circuit board Apply voltage of 3V between FD1 connector ⑩ (+) and ③, ⑦ (-). If LED is turned on, FD circuit board is normal. (Remark) Looks like almost same color.</p>  <p>(3) Imperfect contact of F1, F2 connector Check loosening and dirt of F1, F2 connector.</p> <p>(4) Break of circuit pattern of M circuit board Check resistance mentioned below. If they are less than 5~6Ω, M-circuit board is normal.</p> <p>FD1 connector ③ ——— F2 connector ② FD1 connector ⑦ ——— F2 connector ③ FD1 connector ⑩ ——— F2 connector ⑧</p>  <p>(5) Defect of AF circuit board If trouble is not repaired, AF circuit board is defective.</p>	<p>Disassemble and clean FD1 connector. Replace with new FD circuit board (ZC6161)</p> <p>Disassemble and clean F1, F2 connector. Replace with new M circuit board (ZJ7090)</p> <p>Replace with new AF circuit board (ZC6113)</p>

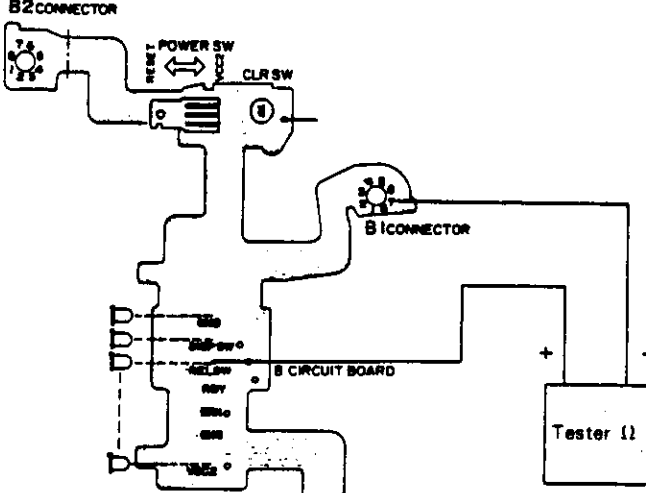
5.7 Mirror up

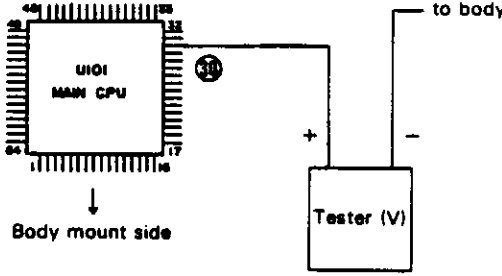
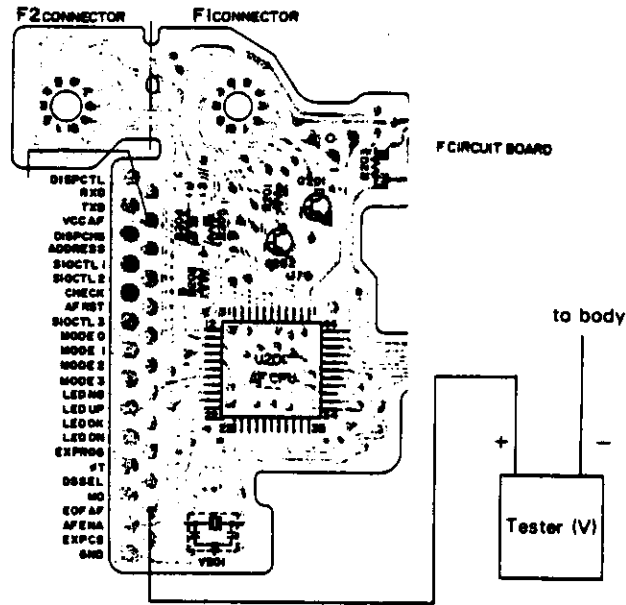
When the shutter release button is pressed perfectly (green LED in the finder is turned on) after setting focus, diaphragm is set to the value indicated in the finder and the mirror is moved to the top.

(Remark)

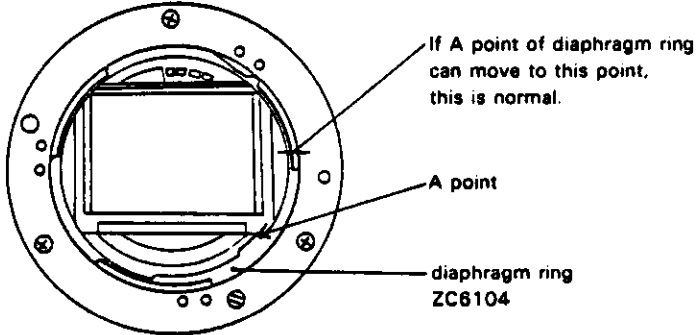
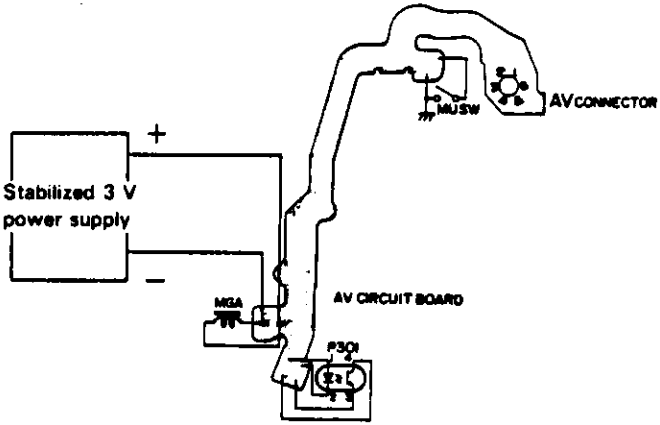
- Confirm whether the mirror does not move upward or does not move downward in case of stopping halfway of the mirror. If it cannot be confirmed, check both items.
- Check the item of "diaphragm ring is not returned" in case of non-returning of diaphragm ring.

State	Cause and checking method	Measure
<p>The mirror does not move upward.</p>	<p>(1) Signal of REL SW is not input to MAIN CPU ⑬</p> <p>Measure voltage between MAIN CPU ⑬ and GND (body), when the shutter release button is pressed perfectly. If it is less than 150 ~ 160mV, this is normal.</p> <p>(Remark)</p> <p>If the checking above mentioned is alright, the following items of (2) ~ (6) is not required to check further.</p>  <p>(2) Defect of the grip</p> <p>Check REL SW after removing the grip from the camera.</p> <p>Check resistance between No.1 contact and No.3 contact of the grip, when the shutter release button is pressed perfectly.</p> <p>If it is less than 5 ~ 6 Ω, the grip is normal.</p> 	<p>Check the following items of (2) ~ (6).</p> <p>Repair the grip.</p>

State	Cause and checking method	Measure
<p>The mirror does not move upward.</p>	<p>(3) Imperfect contact of B1 connector Check loosening and dirt of B1 connector.</p> <p>(4) Break of circuit pattern of B circuit board Check resistance between B1 connector ⑦ and REL SW (3rd from the top). If it is less than 5~6Ω, B-circuit board is normal.</p>  <p>(5) Imperfect contact of the grip and the camera</p> <p>(6) Defect of M circuit board If trouble is not repaired by measure mentioned above, M circuit board is defective.</p> <p>(7) Defect of AF range finding If the shutter is released without lens, AF is defective. Check the item of "AF range finding".</p>	<p>Disassemble and clean B1 connector. Replace with new B circuit board (ZC6129)</p> <p>Clean contacts</p> <p>Replace with new M circuit board (ZJ7090)</p> <p>Check the item of "AF range finding".</p>

State	Cause and checking method	Measure
<p>The mirror does not move upward.</p>	<p>(8) Signal of EOFAF is not input to MAIN CPU (30) Measure voltage between MAIN CPU (30) and GND (body) at immediately after of pressing the shutter button and after completion of range finding. If it varies from 5.5 ~ 5.7V to 50 ~ 60mV, this is normal. (Remark) If checking mentioned above is alright, the following items of (9) ~ (11) is not required to check.</p> 	<p>Check the following items of (9) ~ (11).</p>
	<p>(9) Defect of AF circuit board Measure voltage between test point of EOFAF and GND (body) at immediately after of pressing the shutter button and after completion of range finding. If it varies from 5.5 ~ 5.7V to 50 ~ 60mV, this is normal.</p> 	<p>Replace with new F circuit board (ZC6113).</p>

State	Cause and checking method	Measure
<p>The mirror does not move upward.</p>	<p>(10) Imperfect contact of F2 connector Check loosening and dirt of F2 connector.</p> <p>(11) Defect of M circuit board If trouble is not repaired by measure mentioned above, M circuit board is defective.</p> <p>(12) Defect of AV motor or AV motor gear unit Connect BP-2 (37) and GND (body), BP-2 (39) and MAIN CPU (41) each. If the mirror moves upward, AV motor and AV motor gear unit is normal. (Remark) Connection should be removed immediately after completion of moving upward of the mirror, lest AV motor and gears etc. should be damaged.</p> <div data-bbox="407 910 1031 1236" data-label="Diagram"> </div> <p>(13) Defect of M circuit board If trouble is not repaired by measure mentioned above, M circuit board is defective.</p>	<p>Disassemble and clean F2 connector. Replace with new M circuit board (ZJ7090)</p> <p>Replace with new AV motor (ZC6103) or A base plate (ZC6103).</p> <p>Replace with new M circuit board (ZJ7090).</p>
<p>Defect of diaphragm aperture.</p>	<p>(1) Defect of the lens Check with the normal lens.</p>	<p>Repair the lens.</p>

State	Cause and checking method	Measure
<p>Defect of diaphragm aperture.</p>	<p>(2) Break or stop of gears of AV motor gear unit Check operation of diaphragm ring (ZC6104) by releasing the shutter without the lens.</p>  <p>(3) Disconnection of MGA Apply voltage of 3V between red lead wire of MGA (+) and black lead wire (-), and release the shutter. If the mirror moves upward but the diaphragm ring does not move upward, this is normal. (Remark) · Checking should be done without the lens. · When the mirror moves downward diaphragm ring moves upward to the top. This is normal.</p>  <p>(4) Imperfect contact of AV connector Check loosening and dirt of AV connector.</p> <p>(5) Defect of AV circuit board Replace with new board due to trouble of checking.</p> <p>(6) Defect of M circuit board If trouble is not repaired by measure mentioned above, M circuit board is defective.</p>	<p>Repair or replace A base plate (ZC6103).</p> <p>Replace with new MG base plate 2 (ZC6156).</p> <p>Disassemble and clean AV connector. Replace with new board (ZJ7044). Replace with new M circuit board (ZJ7090).</p>

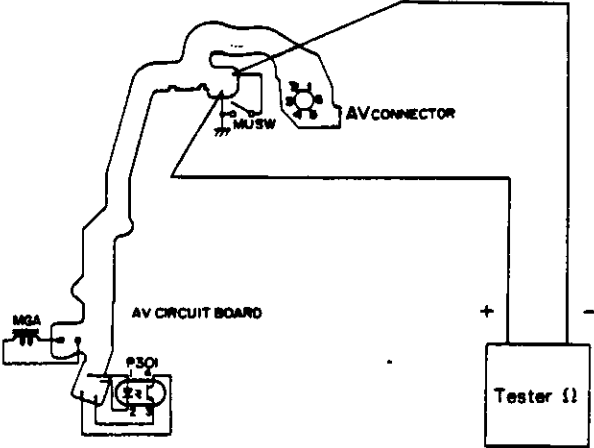
5.8 AE control (EE control)

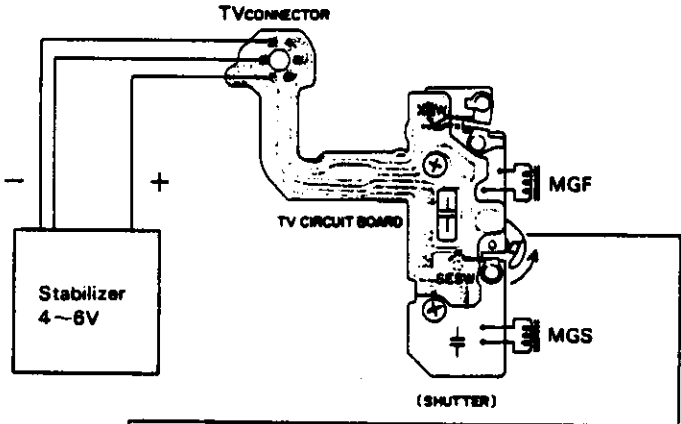
The first shutter curtain starts running after completion of moving upward of the mirror, and the same time integration starts. Integration will finish after being obtained adequate exposure, and the second shutter curtain starts running.

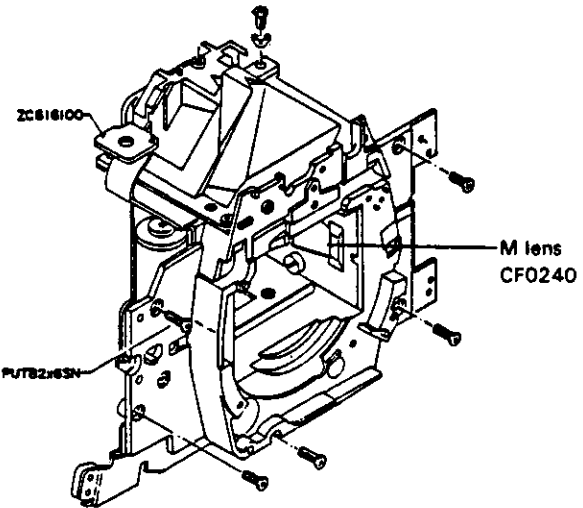
AE control is continued till completion of running of the second shutter curtain.

EE accuracy in each luminance is shown in the right table.

BV value	EE accuracy (EV)
15	0±0.6
11	0±0.4
7	0±0.4
4	0+0.3 -0.6

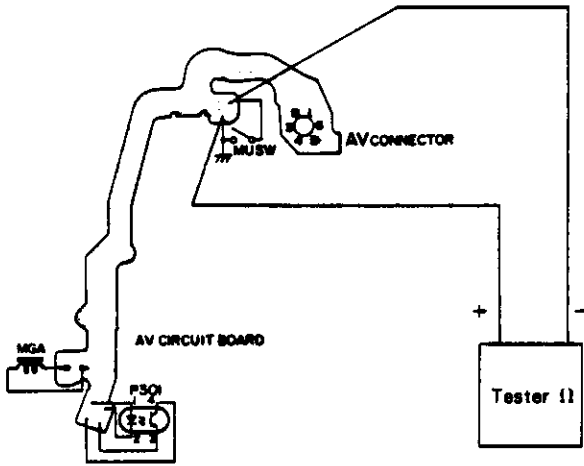
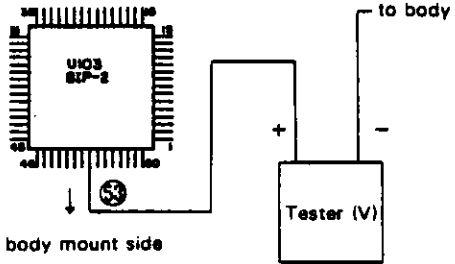
State	Cause and checking method	Measure
The first shutter curtain does not starts to run (the mirror moves upward).	<p>(1) Short circuit of MU SW Measure resistance of MU SW in UP condition of the mirror, if it is less than 5~6Ω, MU SW is normal.</p> 	Disassemble, clean, reform or replace MUSW (ZC6157, CF0091).
	<p>(2) Defect of the shutter If the first shutter curtain (gray) does not run when battery is removed from the grip in UP condition of the mirror, the shutter is defective.</p>	Replace with new shutter. (ZC6135)
	<p>(3) Defect of M-circuit board If the first shutter curtain runs and the second shutter curtain can be seen when battery is removed from the grip in UP condition of the mirror, M-circuit board is defective.</p>	Replace with new M circuit board (ZJ7090).

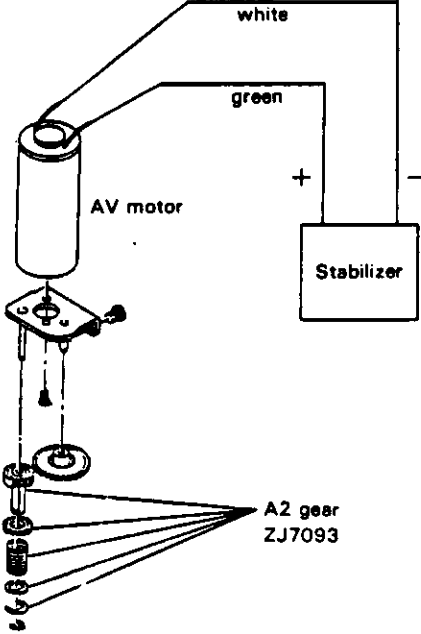
State	Cause and checking method	Measure
Inactivity of exposure	<p>(1) Imperfect adjusting or disorder of shutter speed Replace with new shutter, when exposure is normal in low illumination but exposure is inactive in high illumination.</p> <p>(2) Disconnection of MGF, MGS Apply voltage of 4 ~ 6V between TV connection ① (+) and ②, ③ (-), and voltage for the shutter is charged.</p> <p>a. The 1st shutter curtain runs and the shutter is opened when TV connector ② is disconnected.</p> <p>b. The 2nd shutter curtain runs and the shutter is closed when TV connector ③ is disconnected.</p> <p>If both checking mentioned above is alright, the shutter is normal.</p>  <p>(3) Imperfect contact of TV connector Check loosening and dirt of TV connector.</p>	<p>Replace with new shutter (ZC6135)</p> <p>Disassemble and clean TV connector.</p>

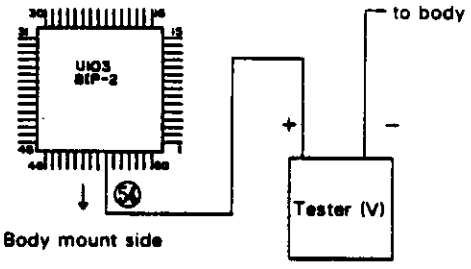
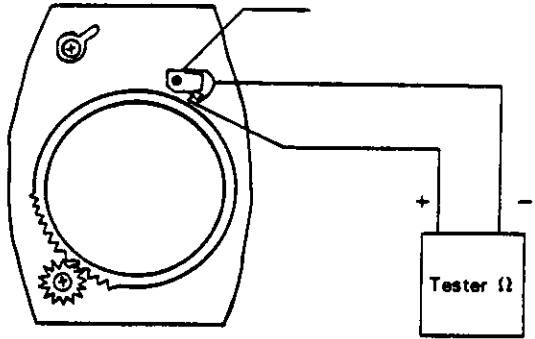
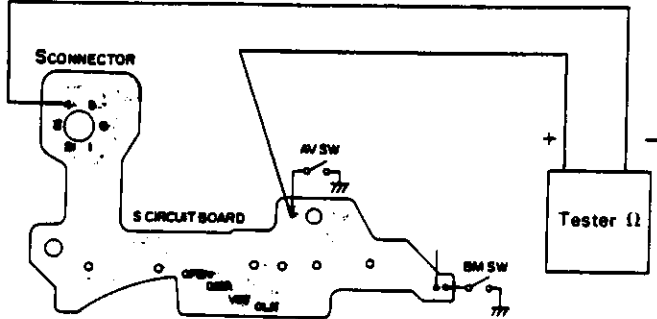
State	Cause and checking method	Measure
Inactivity of exposure	(4) Defect of M circuit board If trouble is not repaired by measure mentioned above, M circuit board is defective.	Replace with new M circuit board (ZJ7090)
The shutter is left opening	(1) Defect of the shutter Remove a battery from the grip during opening of the shutter. If the shutter is closed, it is normal. (2) Defect of M circuit board If the shutter is normal, the other cause is defect of M circuit board.	Replace with new shutter. (ZC6135) Replace with new M circuit board (ZJ7090)
Inaccuracy of EE	<p>(1) Lack of M lens (CF0240) Confirm existence of M lens by seeing.</p>  <p>(2) Imperfect adjustment (3) Defect of M circuit board If adjustment is impossible, M circuit board is defective.</p>	Attach M lens (CF0240) Adjust EE Replace with new M circuit board (ZJ7090)

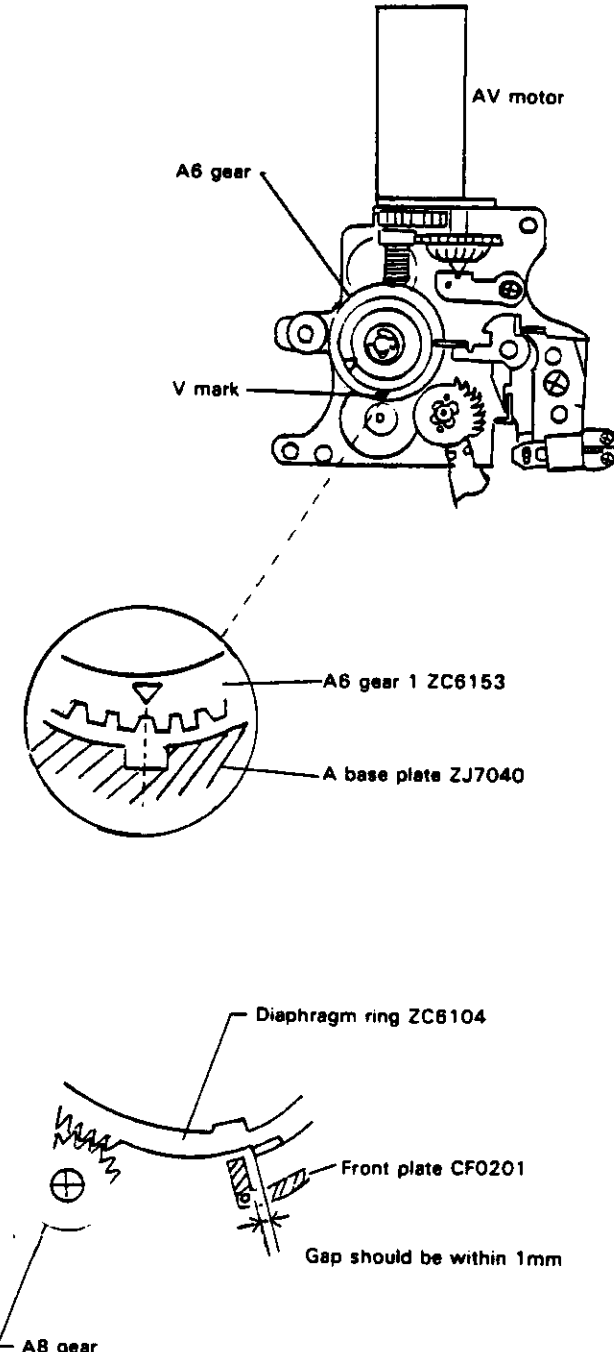
5.9 Mirror down

The mirror is returned after completion of the 2nd shutter curtain running, and the diaphragm ring is moved upward to the top first, and it is returned.

State	Cause and checking method	Measure
<p>The mirror does not start to operate (The mirror is in UP condition and the 2nd shutter curtain (black) can be seen.</p>	<p>(1) Short circuit of MUSW Measure resistance of MUSW in condition of stopping of mirror DOWN operation (UP condition). If it is less than 5 ~ 6 Ω, MUSW is normal.</p>  <p>(2) Short circuit of SESW Measure voltage between BP-2 53 and GND (body). If it is 5.5 ~ 5.7V, SESW is normal. (Remark) Voltage should be measured within 30 sec. after releasing of the shutter.</p>  <p>(3) Defect of M circuit board If trouble is not repaired by measure mentioned above, M circuit board is defective.</p>	<p>Disassemble, clean, reform or replace MUSW. (ZC6157, CF0091)</p> <p>Replace with new shutter. (ZC6135)</p> <p>Replace with new M circuit board. (ZJ7090)</p>

State	Cause and checking method	Measure
<p>The mirror stop halfway.</p>	<p>(1) Weak slip torque of A2 gear (ZJ7093) of AV motor</p> <p>Connect green lead wire (+), white lead wire (-) to the stabilizer in UP condition of the mirror (no difficulty in condition of stopping of the mirror halfway), and apply voltage between these two point.</p> <p>Increase voltage gradually from 0V, and the mirror is returned.</p> <p>Further increase voltage, and A2 gear starts to slip.</p> <p>A2 gear must not slip absolutely halfway in mirror DOWN operation.</p> <p>Furthermore, increase voltage gradually after perfect returning of the mirror, and A2 gear starts to slip again. If voltage at this time is more than 2.5 ~ 3V, slip torque is normal.</p> <p>(Remark)</p> <ul style="list-style-type: none"> · Apply voltage of reverse polarity to AV motor to move upward the mirror without removing fixing with the front casting. · A2 gear should not be slipped for a long time (within 2 ~ 3 sec.) least springs and washers etc. should be burned out. 	<p>Replace with new A2 gear. (ZJ7093)</p>

State	Cause and checking method	Measure
Diaphragm ring is not returned	<p>(1) Signal of AVSW is not input to BP-2 (54) Measure voltage between BP-2 (54) and GND (body). If it is less than 50~60mV, this is normal. If it is 5.5~5.7V, check the following items of (2)~(4). (Remark) · Voltage should be measured within 30 sec. after releasing of the shutter. · Measure voltage during absence of diaphragm ring.</p>  <p>(2) Imperfect contact of AVSW Measure resistance of AVSW. If it is less than 5~6Ω, AVSW is normal.</p>  <p>(3) Imperfect contact of S connector Check loosing and dirt of S connector.</p> <p>(4) Break of circuit pattern of S circuit board Check resistance between S connector (4) and AVSW. If it is less than 5~6Ω, S circuit board is normal.</p> 	<p>Check the following items of (2)~(4).</p> <p>Clean or replace AVSW (CF0245, CF0246)</p> <p>Disassemble and clean S connect. Replace with new S circuit board. (CF0707)</p>

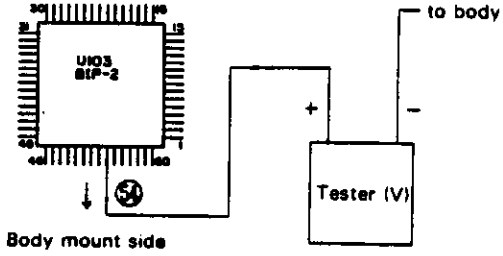
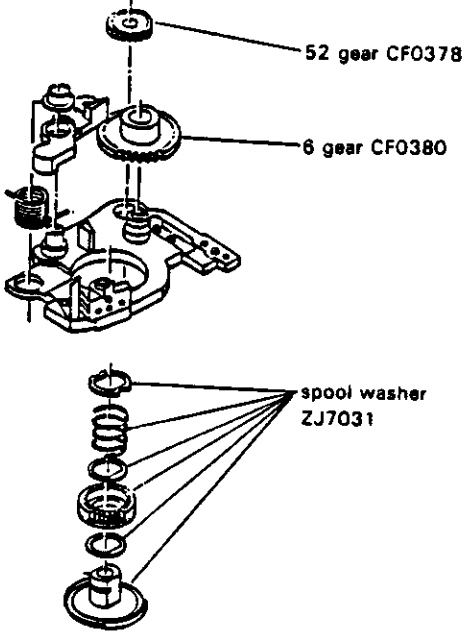
State	Cause and checking method	Measure
Diaphragm ring is not returned	<p>(5) Imperfect fitting of the diaphragm ring and A8 gear When "V" mark of A6 gear 1 is located at the position shown in the following figure, perfect fitting condition is as follows.</p>  <p>The diagrams illustrate the correct fitting condition. The top diagram shows the AV motor assembly with labels for 'AV motor', 'A6 gear', and 'V mark'. A circular inset below shows a close-up of 'A6 gear 1 ZC6153' and 'A base plate ZJ7040'. The bottom diagram shows the 'Diaphragm ring ZC6104' and 'Front plate CF0201' with the 'A8 gear' and a note that the 'Gap should be within 1mm'.</p>	Correct fitting

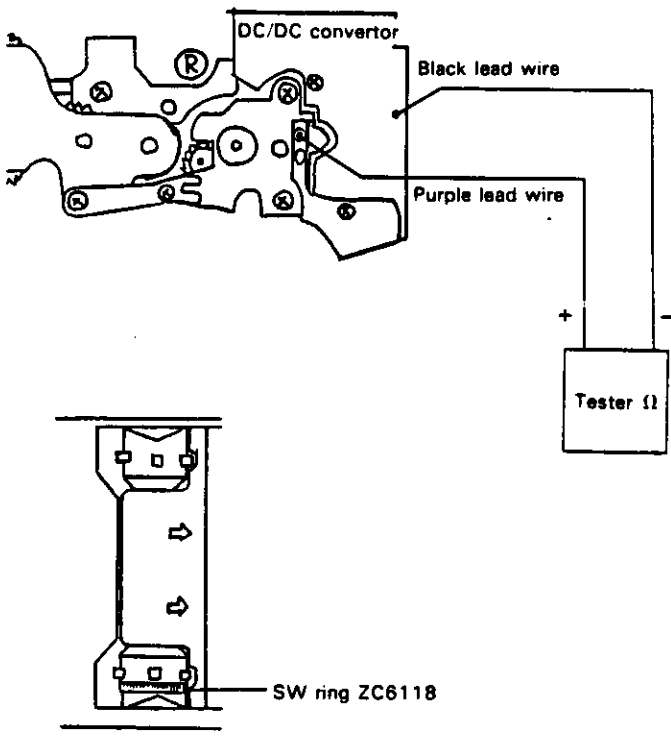
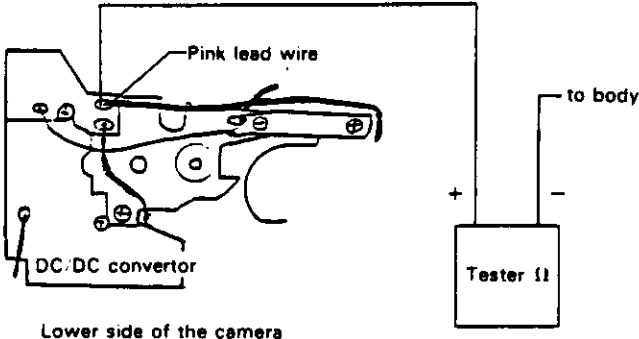
5.10 Winding

1 frame of a film is wound after completion of mirror DOWN operation.

(Remark)

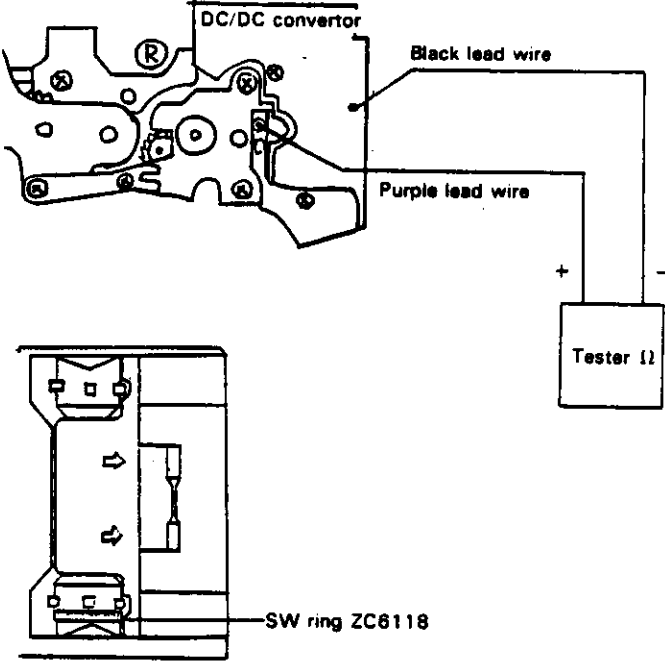
Idle feeding should be normal.

State	Cause and checking method	Measure
<p>Delay of timing</p>	<p>(1) Short circuit of AVSW Measure voltage between BP-2 (54) and GND (body). If it is less than 50~60mV, AVSW is short circuit condition. And if it is 5.5~5.7V, AVSW is normal. (Remark) - Voltage should be measured within 30 sec. after releasing of the shutter. - The diaphragm ring should be returned.</p> 	<p>Disassemble and clean or replace AVSW (CF0245, CF0246)</p>
<p>R mark is turned on in the course of winding.</p>	<p>(1) The spool does not rotate. Break or lack of 52 gear, 6 gear, spool.</p> 	<p>Replace or fill up 52 gear (CF0378), 6 gear (CF0380), spool washer (ZJ7031)</p>

State	Cause and checking method	Measure
<p>R mark is turned on in the course of winding.</p>	<p>(2) Imperfect contact of WFSW Measure resistance between black lead wire and purple lead wire shown in the following figure, rotating SW ring (ZC6118) under the sprocket. If $0\Omega \sim \infty\Omega$ is repeated 3 times per 1 rotation of SW ring, WFSW is normal.</p>  <p>(3) Imperfect contact of MUSW Measure resistance between pink lead wire and GND (body). If it is less than $5 \sim 6\Omega$, MUSW is normal. (Remark) Film winding should be completed.</p>  <p>Lower side of the camera</p>	<p>Clean or replace MFSW. (assembled to ZJ7027)</p> <p>Clean, adjust or replace WFSW. (assembled to ZJ7027)</p>

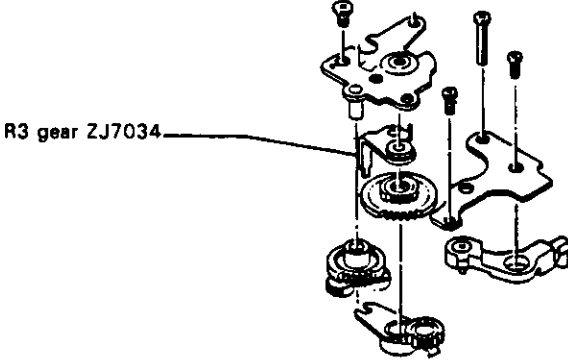
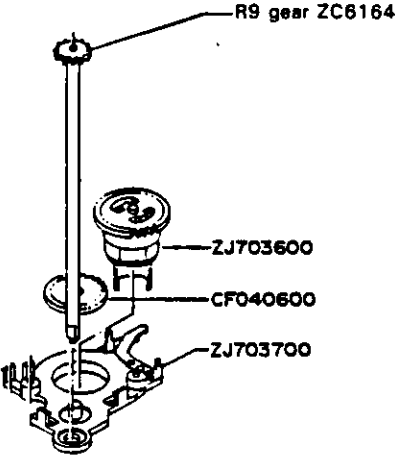
5.11 Film counter

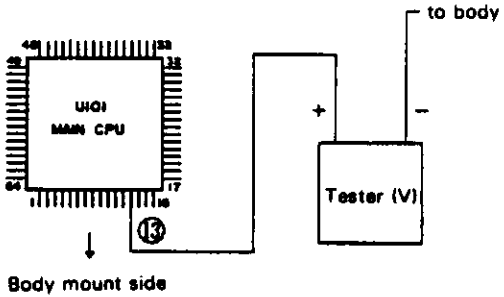
Figure of film counter indicated in the LCD panel should be increased one by one every time 1 frame is wound, and the figure should be indicated despite turning OFF of the power SW. And R mark is indicated end of the film.

State	Cause and checking method	Measure
<p>Film counter is not advanced</p>	<p>(1) Imperfect contact of WFSW Measure resistance between black lead wire and purple lead wire shown in the following figure, rotating SW ring (ZC6118) under the sprocket. If $0\Omega \sim \infty\Omega$ is repeated 3 times per 1 rotation of SW ring, WFSW is normal.</p> 	<p>Clean or replace WFSW. (assembled to ZJ7027)</p>
<p>When the power SW is turned OFF, the former figure is not indicated.</p>	<p>(1) Defect of E²PROM Replace with new DX circuit board.</p> <p>(2) Defect of M circuit board If trouble is not repaired despite replacing of DX circuit board, M circuit board is defective.</p>	<p>Replace with new DX circuit board (ZC6122) Replace with new M circuit board. (ZJ7090)</p>

5.12 Rewinding

Rewinding starts by pressing R button, and winding operation is done 1 time after completion of rewinding, and film counter is reset to 0.

State	Cause and checking method	Measure
Rewinding is impossible (motor rotates)	<p>(1) Break of R3 gear Confirm it by seeing after removing the bottom plate.</p>  <p>(2) Imperfect fixing of R9 shaft and R9 gear R9 gear should not slide around R9 shaft. R9 gear is located under DX circuit board.</p> 	<p>Replace with new R3 arm. (ZJ7034)</p> <p>Replace with new R9 gear. (ZC6164)</p>

State	Cause and checking method	Measure
<p>Rewinding is impossible (motor does not rotate)</p>	<p>(1) Imperfect contact of RWSW Measure voltage between MAIN CPU ⑬ and GND (body) when R button is pressed. If it is less than 5 ~ 6mV, RWSW is normal. (Remark) The rear cover should be closed.</p>  <p>(2) Defect of M circuit board If rewinding does not start despite normal state of RWSW, M circuit board is defective.</p>	<p>Clean or replace RWSW. (assembled to ZJ7038)</p> <p>Replace with new M circuit board (ZJ7090)</p>

6. TROUBLE SHOOTING CONCERNING THE FLASH

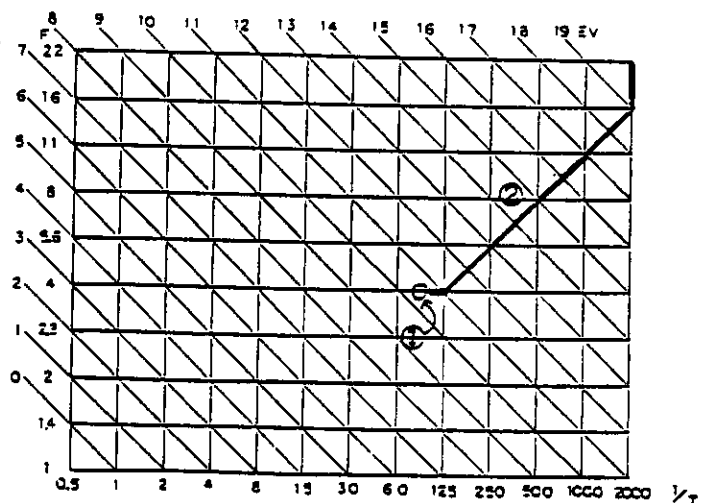
6.1 When the Flash grip 300 (AGP-12) is used

Charging starts by pop-up of the Flash luminous section, and "L" mark is turned on in the finder after completion of charging. (charging lamp is turned on)
When environment illumination is darker than that of adequate shutter speed of 1/100 in natural illumination, shutter speed is fixed to 1/100, and exposure value is decided by GNo/Distance. (refer to ① of the right figure)

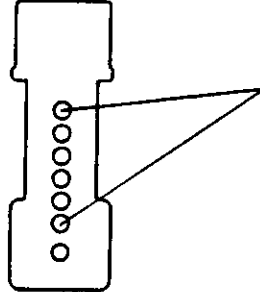
When environment illumination is more bright than that of 1/100, shutter speed is same as the ordinary programmed EE, and the Flash does not operate. (refer to ② of the right figure)

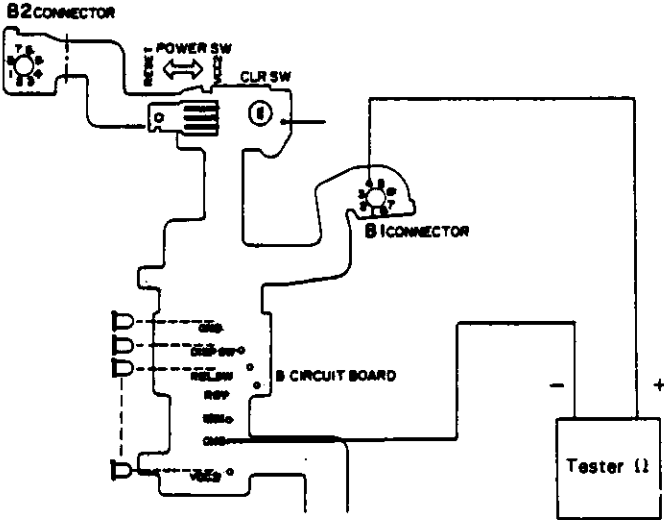
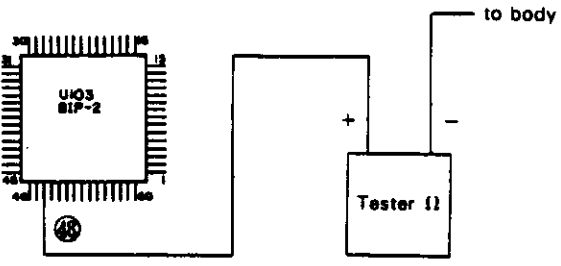
(Remark)

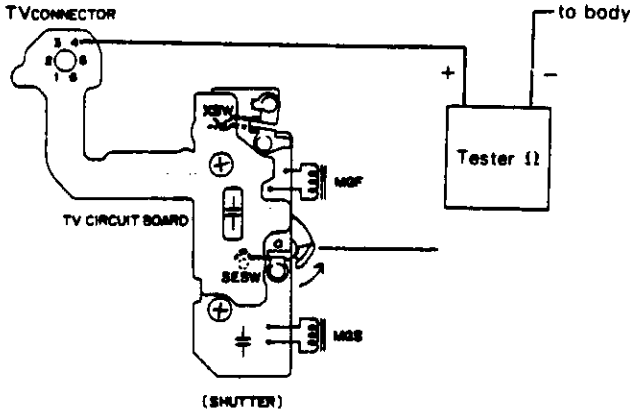
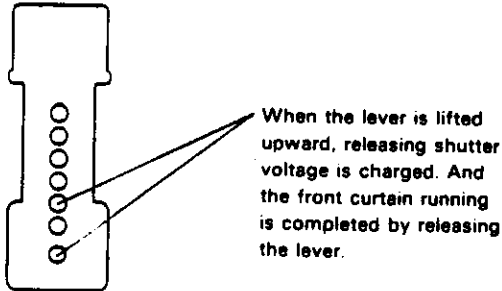
The Flash grip is charged only during turning on of LCD in the finder, and is not charged during turning off of LCD.

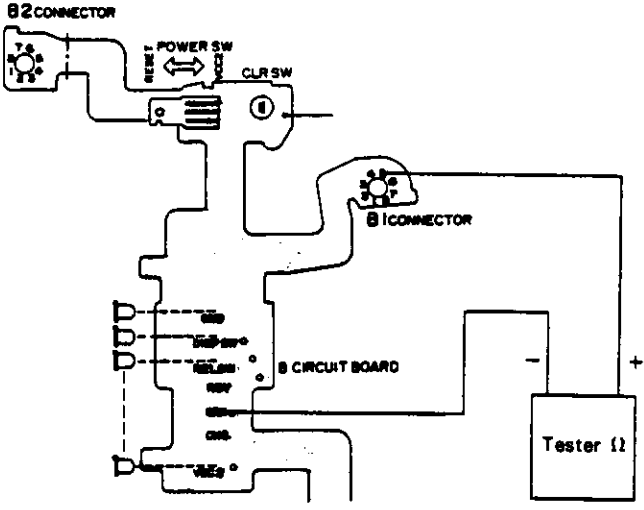
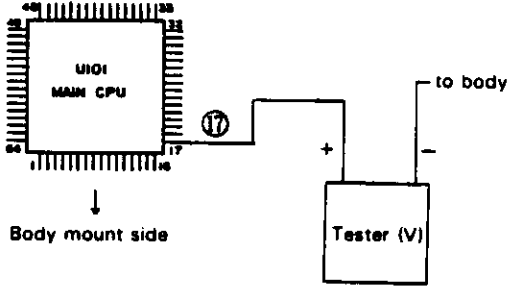


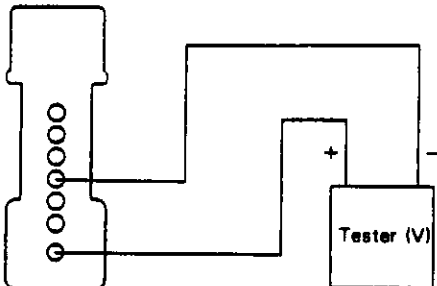
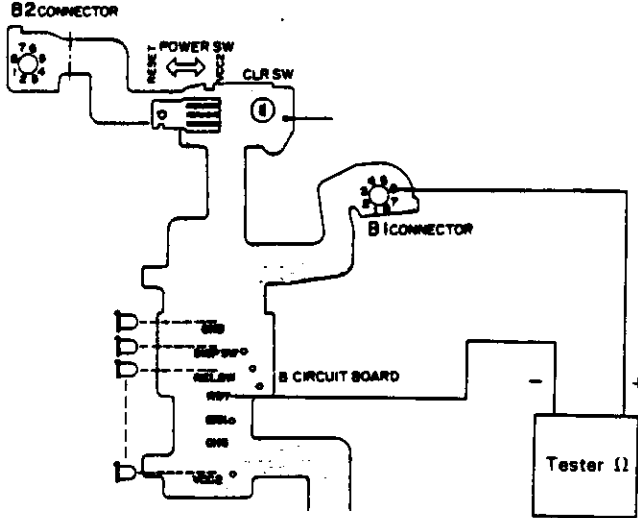
The Flash grip program diagram
(when AZ-3570 is used)

State	Cause and checking method	Measure
The flash is not charged	(1) Defect of the Flash grip 	
	(2) Imperfect contact of the camera body and the grip or imperfect fitting. Check fitting condition and dirt of contacts.	Clean contacts or repair fitting.
	(3) Imperfect contact of B1 connector Check loosing and dirt of B1 connector.	Disassemble and clean B1 connector

State	Cause and checking method	Measure
cannot be charged	<p>(4) Break of circuit pattern of B circuit board Check resistance between B1 ④ connector and CHG. If it is less than 5 ~ 6 Ω, B circuit board is normal.</p>  <p>(5) Defect of M circuit board If trouble is not repaired even by measure mentioned above, M circuit is defective.</p>	<p>Replace with new B circuit board. (ZC6129)</p> <p>Replace with new M circuit board (ZJ7090)</p>
cannot be flashed	<p>(1) "ON" signal of XSW is not input. Release the shutter, after setting PF (power focus) mode and attaching the lens cap. If it is less than 5 ~ 6 Ω, this is normal. (Remark) If check mentioned above is alright, the following items of (2) ~ (4) is not required to check.</p>  <p>↓ Body mount side</p> <p>(2) Imperfect contact of TV connector Check loosing and dirt of TV connector.</p>	<p>Check the following items of (2) ~ (4).</p> <p>Disassemble and clean TV connector.</p>

State	Cause and checking method	Measure
cannot be flashed	<p>(3) Imperfect contact of XSW Check resistance between TV connector ④ and GND (body) in condition after completion of running of the front curtain, and also check it in condition of completion of shutter releasing voltage. If the former is 0Ω and the later is $\infty\Omega$, XSW is normal.</p>	<p>Clean XSW, or replace with new shutter. (ZC6135)</p> <p>Replace with new M circuit board. (ZJ7090)</p> <p>Repair the Flash grip</p> <p>Clean contacts or repair fitting. (refer to P-6)</p> <p>Disassemble and clean B1 connector.</p>
		
	<p>(4) Defect of M circuit board If "ON" signal of XSW is not input despite normal condition of items of (2) ~ (3), M circuit board is defective.</p>	
	<p>(5) Defect of the Flash grip</p>	
		
	<p>(6) Imperfect contact or fitting between the camera body and the grip Check fitting condition and dirt of contacts.</p>	
	<p>(7) Imperfect contact of B1 connector Check loosing and dirt of B1 connector.</p>	

State	Cause and checking method	Measure
cannot be flashed	<p>(8) Break of circuit pattern of B circuit board Check resistance between B1 connector ⑤ and GRX. If it is less than 5 ~ 6 Ω, B circuit board is normal.</p>  <p>(9) Defect of M circuit board If trouble is not repaired even by measure mentioned above, M circuit board is defective.</p>	<p>Replace with new B circuit board. (ZC6129)</p> <p>Replace with new M circuit board. (ZJ7090)</p>
" ⚡ " mark is not turned on in the finder	<p>(1) RDY (completion of charging) signal is not input to MAIN CPU ⑰</p> <p>Measure voltage between MAIN CPU ⑰ and GND (body). If the voltage is value mentioned below, this is normal.</p> <p>before completion of charging 5.5 ~ 5.7V after completion of charging 2.5 ~ 3V (Remark)</p> <ul style="list-style-type: none"> · LCD in the finder should be turned on. · If check mentioned above is allright, the following items of (2) ~ (6) is not required to check. 	<p>Check the following items of (2) ~ (6).</p>

State	Cause and checking method	Measure
<p>“ ⚡ ” mark is not turned on in the finder</p>	<p>(2) Defect of the Flash grip Measure voltage between 2 contacts shown in the following figure. If it is same as the battery voltage (about 6V), the Flash grip is normal.</p>  <p>(3) Imperfect contact or fitting between the camera body and the grip Check fitting condition and dirt of contacts.</p> <p>(4) Imperfect contact of B1 connector Check loosening and dirt of B1 connector.</p> <p>(5) Break of circuit pattern of B circuit board Check resistance between B1 ⑥ connector and RDY. If it is less than 5 ~ 6Ω, B circuit board is normal.</p>  <p>(6) Defect of M circuit board If RDY signal is not input to MAIN CPU ⑰ despite normal condition of (2) ~ (5) mentioned above. M circuit board is defective.</p>	<p>Repair the Flash grip.</p> <p>Clean contacts or repair fitting. (refer to P-6)</p> <p>Disassemble and clean B1 connector. Replace with new B circuit board. (ZC6129)</p> <p>Replace with new M circuit board. (ZJ7090)</p>

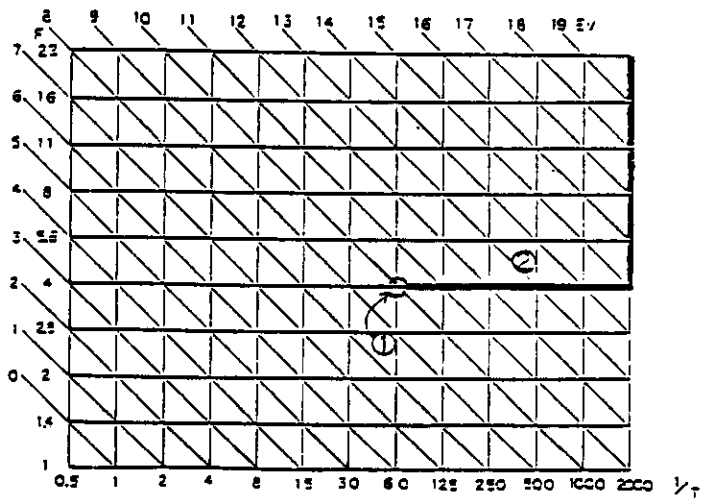
State	Cause and checking method	Measure
<p>“ ⚡ ” mark is not turned on in the finder</p>	<p>(7) Imperfect contact of FD1, FD2 connector Check loosening and dirt of FD1, FD2 connector.</p> <p>(8) Defect of FD circuit board Replace with new FD circuit board.</p> <p>(9) Defect of M circuit board If trouble is not repaired even by replacing of FD circuit board, M circuit board is defective.</p>	<p>Disassemble and clean FD1, FD2 connector.</p> <p>Replace with new FD circuit board. (ZC6161)</p> <p>Replace with new M circuit board. (ZJ7090)</p>
<p>Exposure reduce to the lowest value some times</p>	<p>(1) Defect of M circuit board Replace with new M circuit board, when exposure reduce to the lowest value sometimes in case of using the Flash grip. (Remark) Replace with new M circuit board with ROM 3 surely.</p>	<p>Replace with new M circuit board. (ZJ7090)</p>

6.2 When F280 is used

When environment illumination is darker than that of adequate shutter speed of 1/60 in natural illumination after completion of charging of F280, "⚡" mark is turned on in the finder, and shutter speed is fixed to 1/100, diaphragm value is fixed to F4 (when opening F value of the lens is darker than F4, it is fixed to F value), TTL direct measuring is adopted. (region of ① in the right figure)

And when environment illumination is more bright than 1/60, "⚡" mark is turned on in the finder, shutter speed and diaphragm value are decided according as program diagram shown right, and the Flash is fired. (region of ② in the right figure)

- Firing by the Flash grip should be alright.
- F280 should be set to "NORMAL".



Program Diagram of the Flat firing Flash (when AZ-3570 is used)

State	Cause and checking method	Measure
cannot be fired	(1) Imperfect contact of FL connector Check loosing and dirt of FL connector. (2) Defect of FL circuit board Replace with new FL circuit board. (3) Defect of M circuit board If trouble is not repaired even by replacing of FL circuit board, M circuit board is defective.	Disassemble and clean FL connector. Replace with new FL circuit board. (ZC6168) Replace with new M circuit board. (ZC7090)
Flash control is impossible	(1) Imperfect contact of FL connector Check loosing and dirt of FL connector. (2) Defect of FL circuit board Replace with new FL circuit board. (3) Defect of M circuit board If trouble is not repaired even by replacing of FL circuit board, M circuit board is defective.	Disassemble and clean FL connector. Replace with new FL circuit board. (ZC6168) Replace with new M circuit board. (ZJ7090)

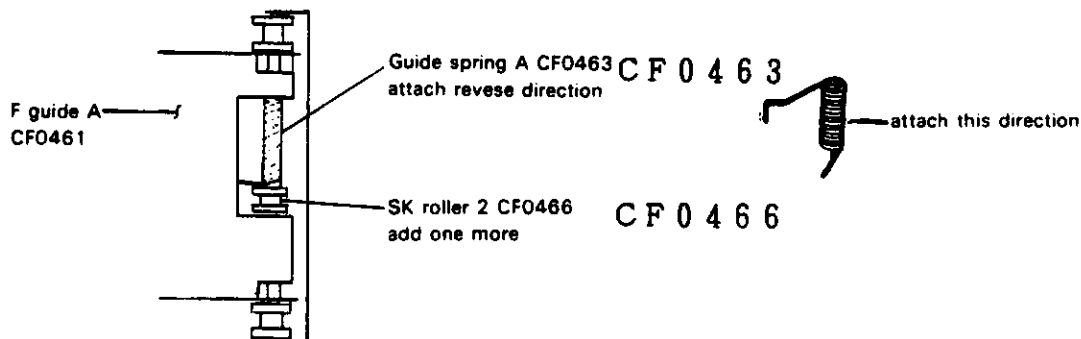
State	Cause and checking method	Measure
<p>The Flash can not be fired when " 4 " mark is turned on, in illumination of between " 4 " mark and " 44 " mark.</p>	<p>(1) Difference of indication in the finder and actual exposure time (actual exposure time is shorter than the other) As exposure complete signal is earlier than XSW ON signal in such illumination as " 44 " mark is about to switched to " 4 " mark of indication in the finder, the flash cannot fire. Both EE and indication should be adjusted to inclination of plus within specification, when repaired. (Remark) Confirm that the Flash does not fire in 1/125 with the Flash grip after adjusting.</p>	<p>Adjust indication and EE.</p>

7. TROUBLE SHOOTING CONCERNING FILM SCRATCH

7.1 A film is scratched at end of it when 36 EXP film is used.

Cause..... A film is scratched by contacting the guide spring A of rear cover side to film base.

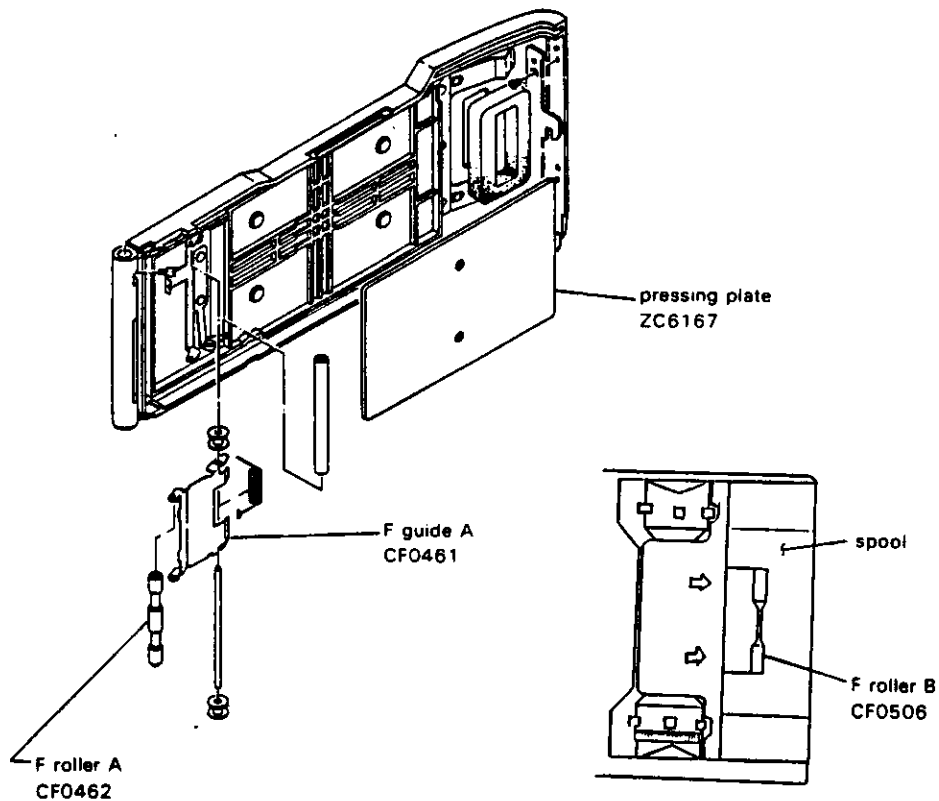
Measure..... Attach the guide spring A to reverse direction, and also attach the SK roller 2 as addition.



7.2 A film base is scratched

Cause..... F guide A, F roller A, F roller B or pressing plate are scratched.

Measure..... Replace with new F guide A etc.



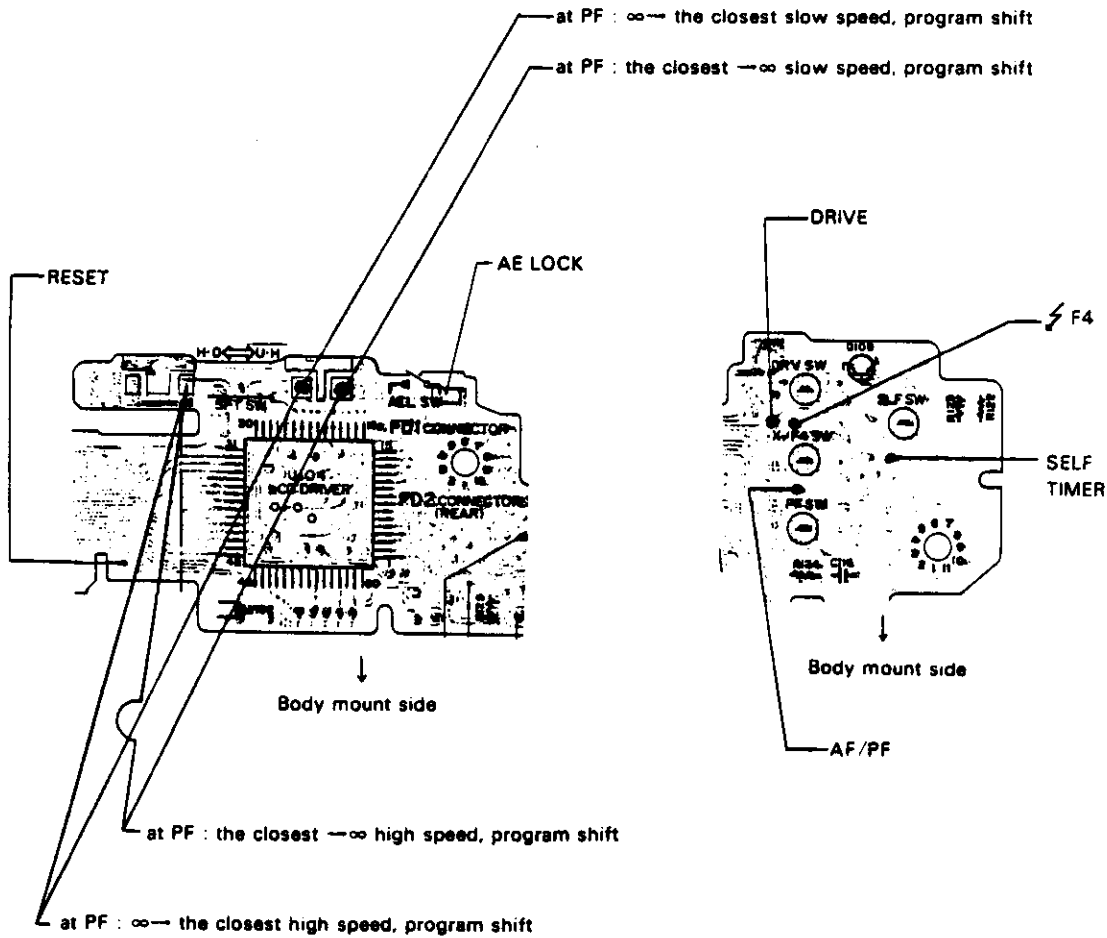
8. TROUBLE SHOOTING CONCERNING MODE SWITCHING

Operation Mode of this camera is as follows.

- AF/PF
- $\frac{1}{2}$ F4
- DRIVE (SINGLE, CONT.)
- SELF TIMER
- AE LOCK
- PF/PROGRAM SHIFT
- RESET

When each point on the M circuit board in the figure shown below and GND (body) are made short circuit respectively,

- a. Mode is switched Imperfect contact of each switch
- b. Mode is not switched M circuit board is defective. Replace with new M circuit board.



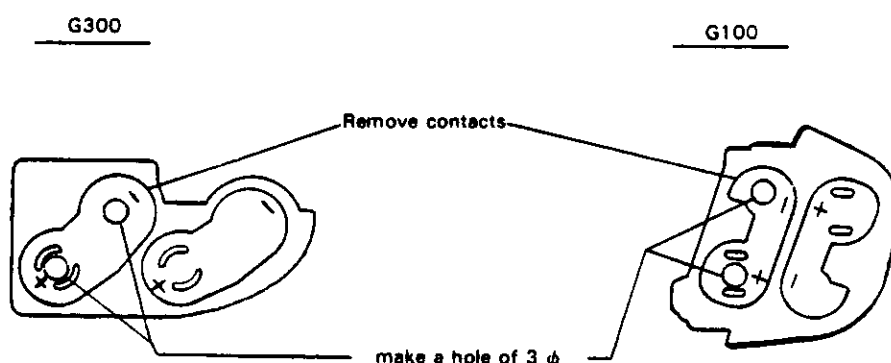
Trouble shooting concerning battery consumption for a short time

Consumed current

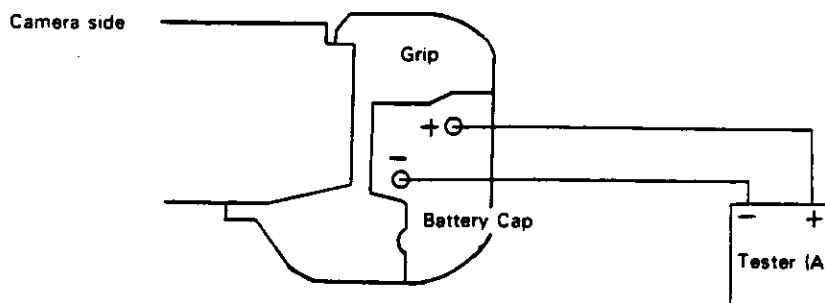
- Power SW is turned OFF : less than $1\mu\text{A}$
- Power SW is turned ON (during indication by LCD in the F) : $90 \pm 35\text{ mA}$
- Power SW is turned ON (during non-indication by LCD in the F) : $30 \pm 30\mu\text{A}$
- during film winding : $450 \pm 150\text{ mA}$
- during film rewinding : $400 \pm 120\text{ mA}$
- during AF operation (AS5018 is used) : $330 \pm 100\text{ mA}$
- during operation of mirror and diaphragm : $500 \pm 150\text{ mA}$

Checking method

(1) Reform the battery cover of the grip as shown in the below figure, and make the jig.



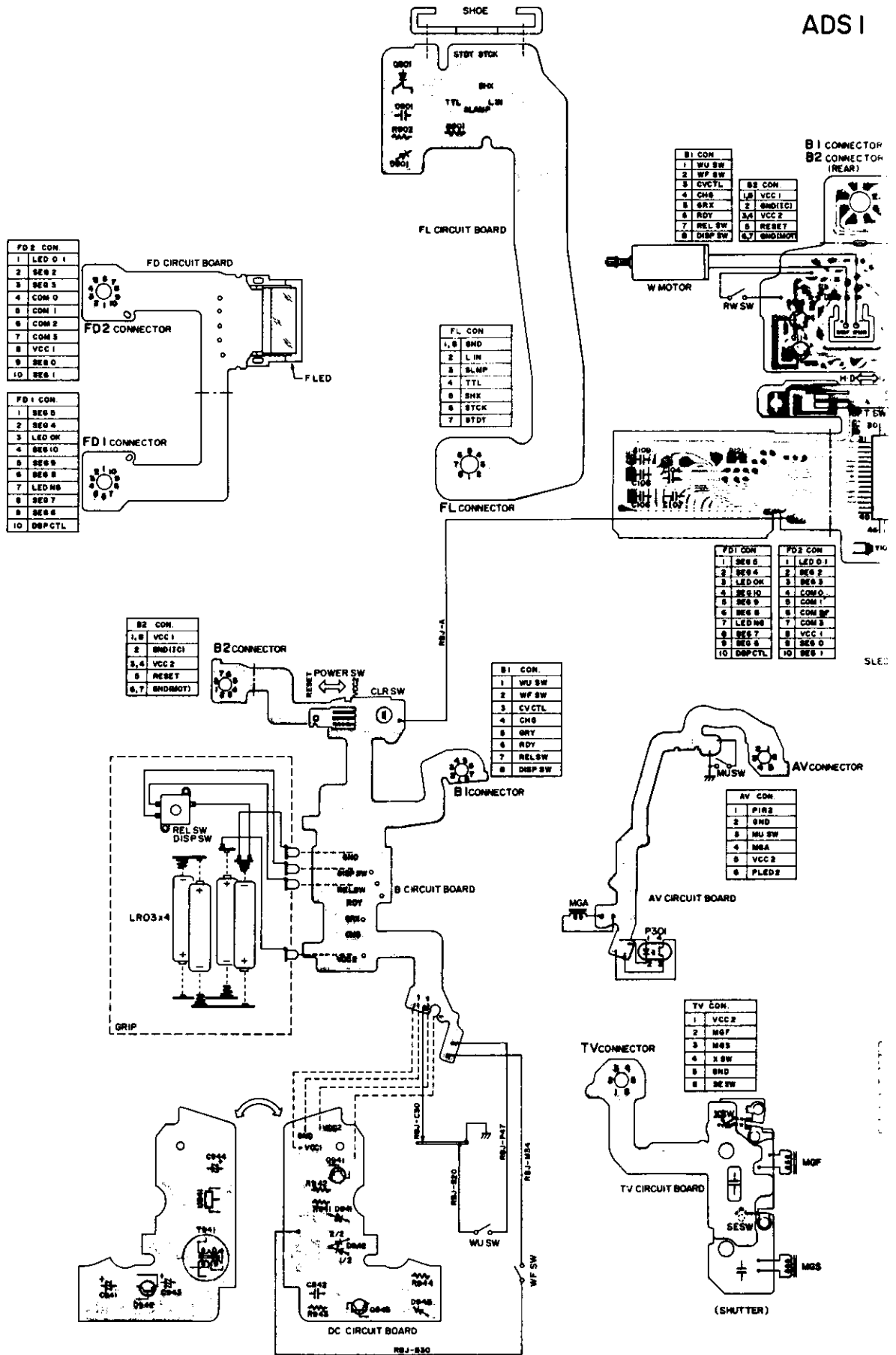
(2) Load the battery into the grip and attach the cap (shown in the above) to it, then connect it to the tester as shown in the below figure.



(Remark)

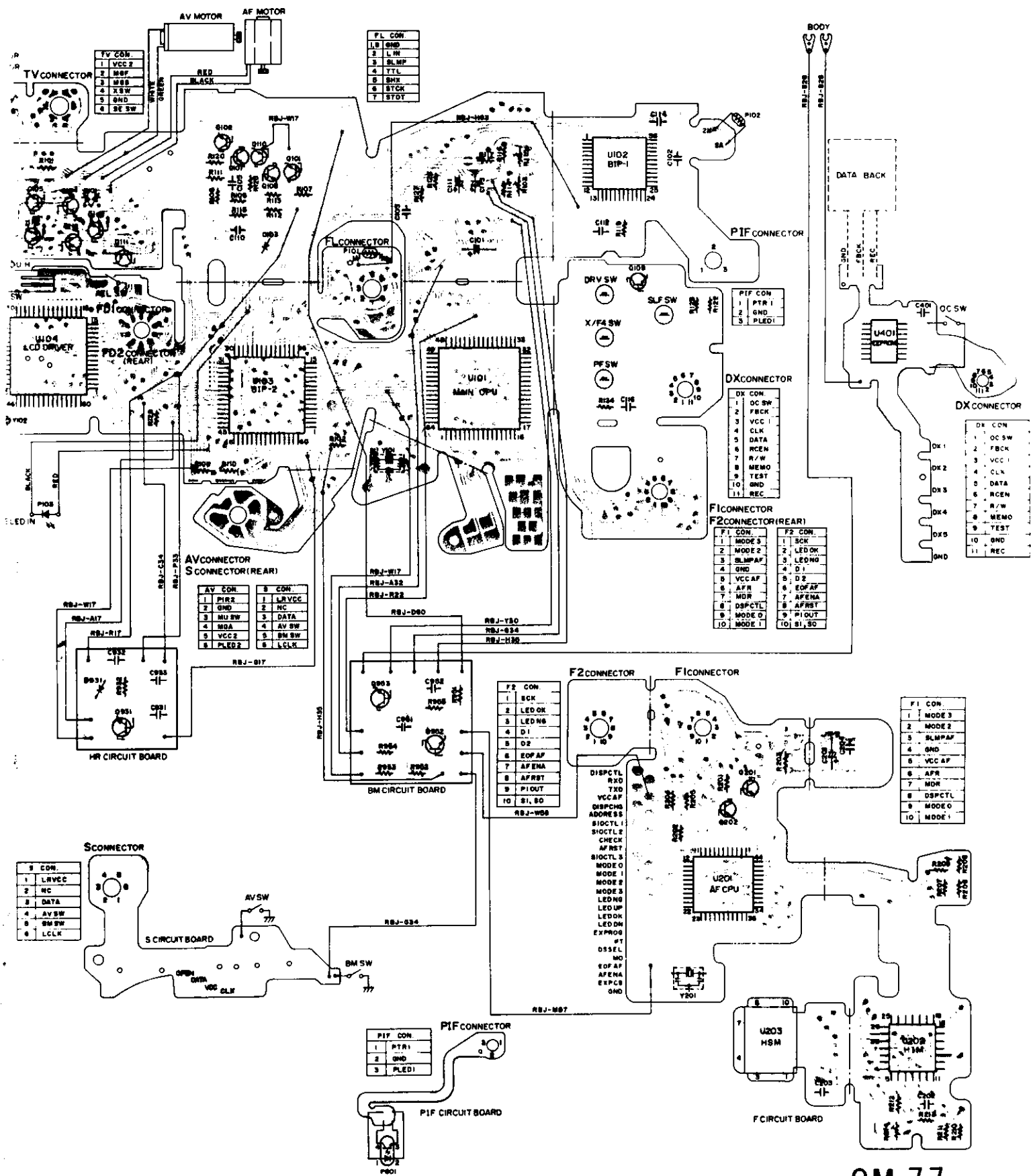
- Before checking consumed current of the camera, check the grip as single type. If the grip is defective, repair it.
- Battery consumption for a short time has not been occurred at this stage except imperfect adjustment of battery checking voltage of M circuit.

The specification and checking method only are described here.

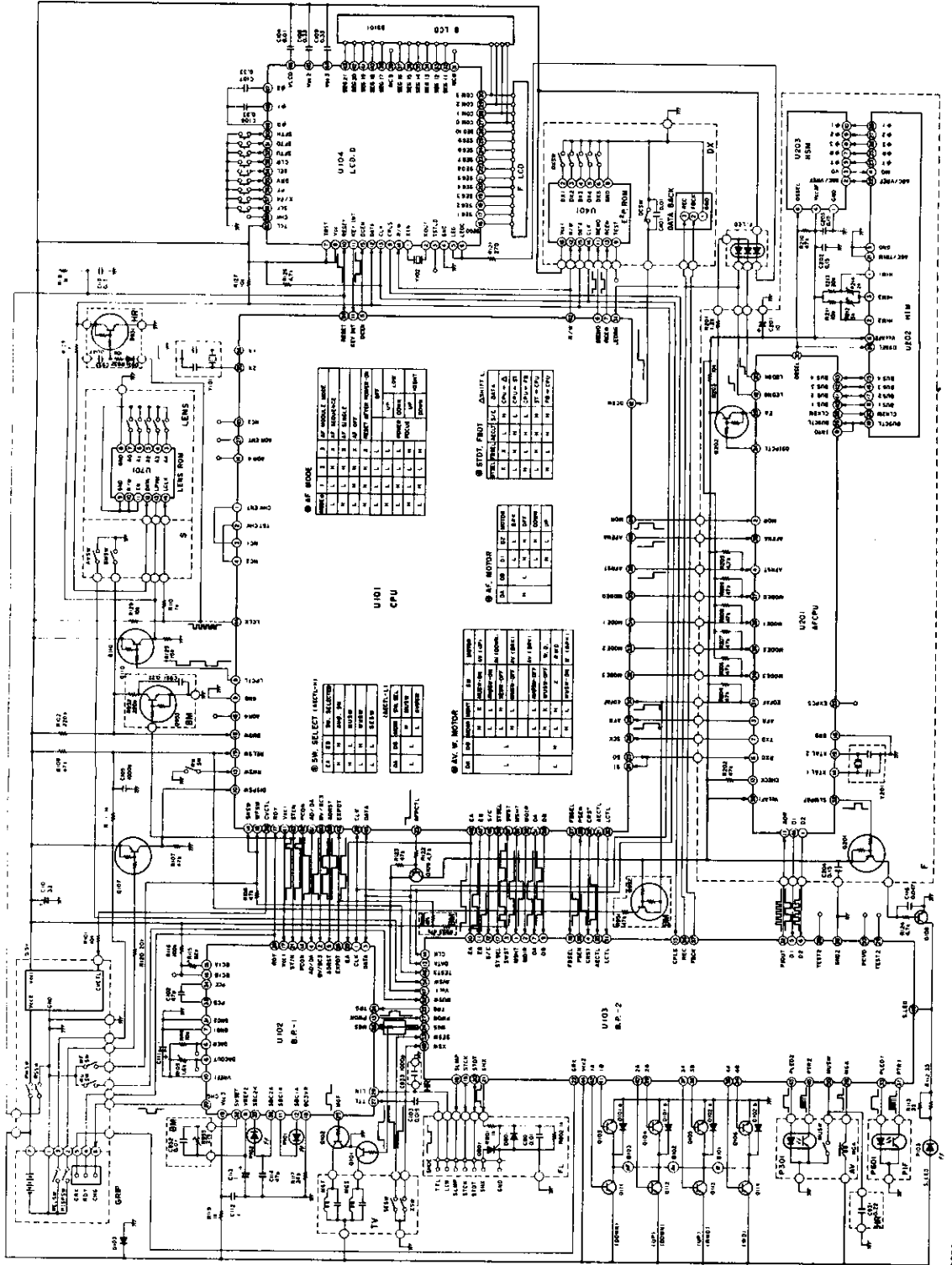


WIRING DIAGRAM

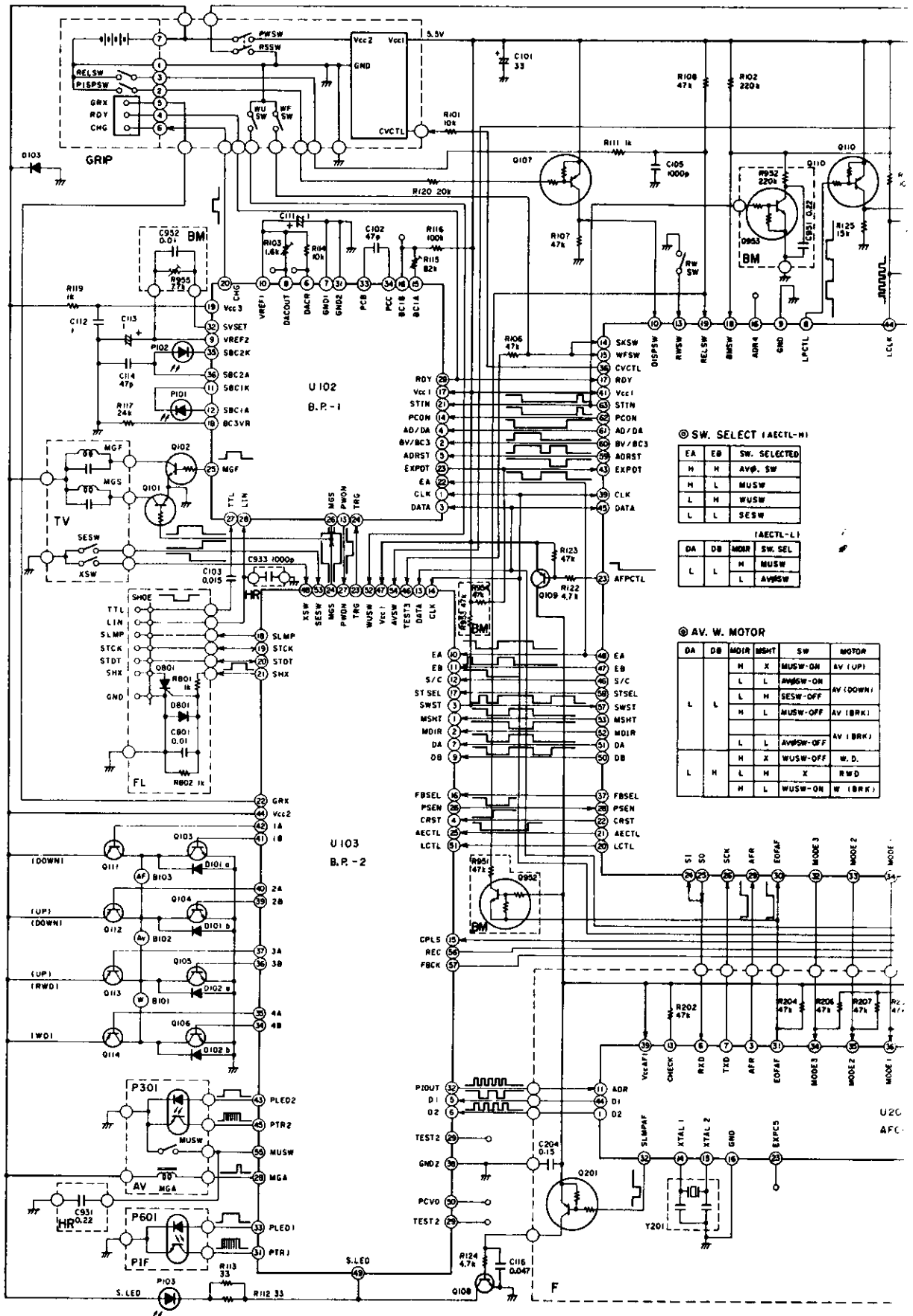
NO.J-2



ADS1 CIRCUIT DIAGRAM



ADS1 CIRCUIT DIAGRAM



© SW. SELECT (AECTL-H)

EA	EB	SW. SELECTED
H	H	AV (UP) SW
H	L	MUSW
L	H	WUSW
L	L	SESW

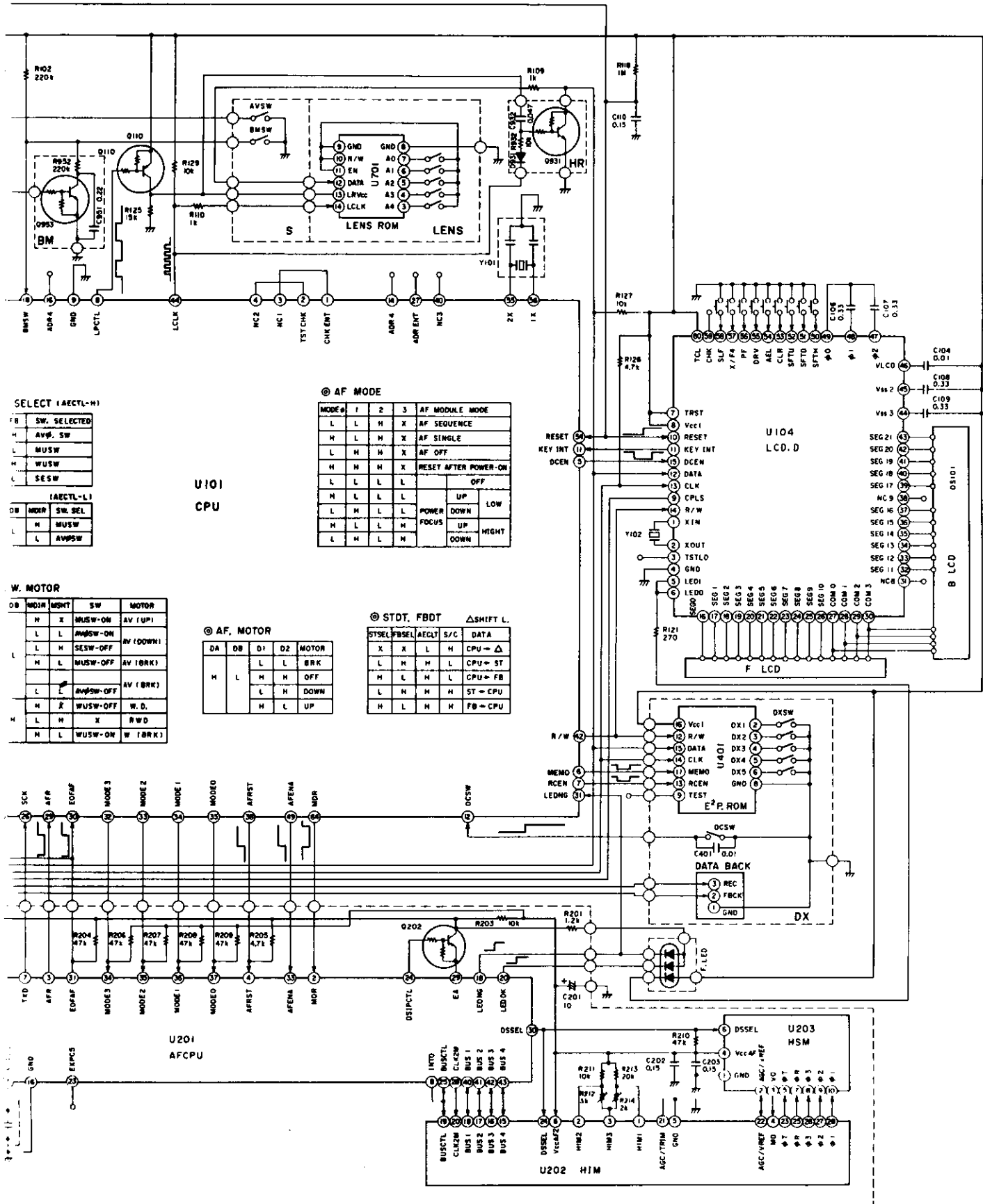
(AECTL-L)

DA	DB	MODE	SW. SEL
L	L	H	MUSW
L	L	L	AV (UP) SW

© AV. W. MOTOR

DA	DB	MODE	MSHT	SW	MOTOR
L	L	H	X	MUSW-ON	AV (UP)
		L	L	AV (UP) SW-ON	AV (DOWN)
		L	H	SESW-OFF	AV (BRK)
		H	L	MUSW-OFF	AV (BRK)
L	H	H	X	WUSW-OFF	W. D.
		L	H	X	RWD
		H	L	WUSW-ON	W (BRK)
		H	L	WUSW-ON	W (BRK)

RCUT DIAGRAM



SELECT (AECTL-H)

F	B	SW. SELECTED
H	L	AVPSW
L	L	MUSW
H	L	WUSW
L	L	SESW

(AECTL-L)

DB	MDR	SW. SEL
H	H	MUSW
L	L	AVPSW

U101
CPU

⊙ AF MODE

MODE #	1	2	3	AF MODULE MODE
L	L	H	X	AF SEQUENCE
H	L	H	X	AF SINGLE
L	H	H	X	AF OFF
H	H	H	X	RESET AFTER POWER-ON
L	L	L	L	OFF
H	L	L	L	UP
L	H	L	L	DOWN
H	L	L	H	POWER FOCUS
L	H	L	H	UP
L	H	L	H	DOWN
L	H	L	H	RIGHT

W. MOTOR

DB	MDR	MDMT	SW	MOTOR
H	L	X	MUSW-ON	AV (UP)
L	L	L	AVPSW-ON	RV (DOWN)
L	H	L	SESW-OFF	AV (BRK)
H	L	L	MUSW-OFF	AV (BRK)
L	L	L	AVPSW-OFF	AV (BRK)
H	H	R	WUSW-OFF	W. D.
L	L	H	X	RWD
H	L	L	WUSW-ON	W (BRK)

⊙ AF. MOTOR

DA	DB	D1	D2	MOTOR
H	L	L	L	BRK
H	L	H	H	OFF
L	L	H	H	DOWN
H	L	L	L	UP

⊙ STD. FB/D. ΔSHIFT L.

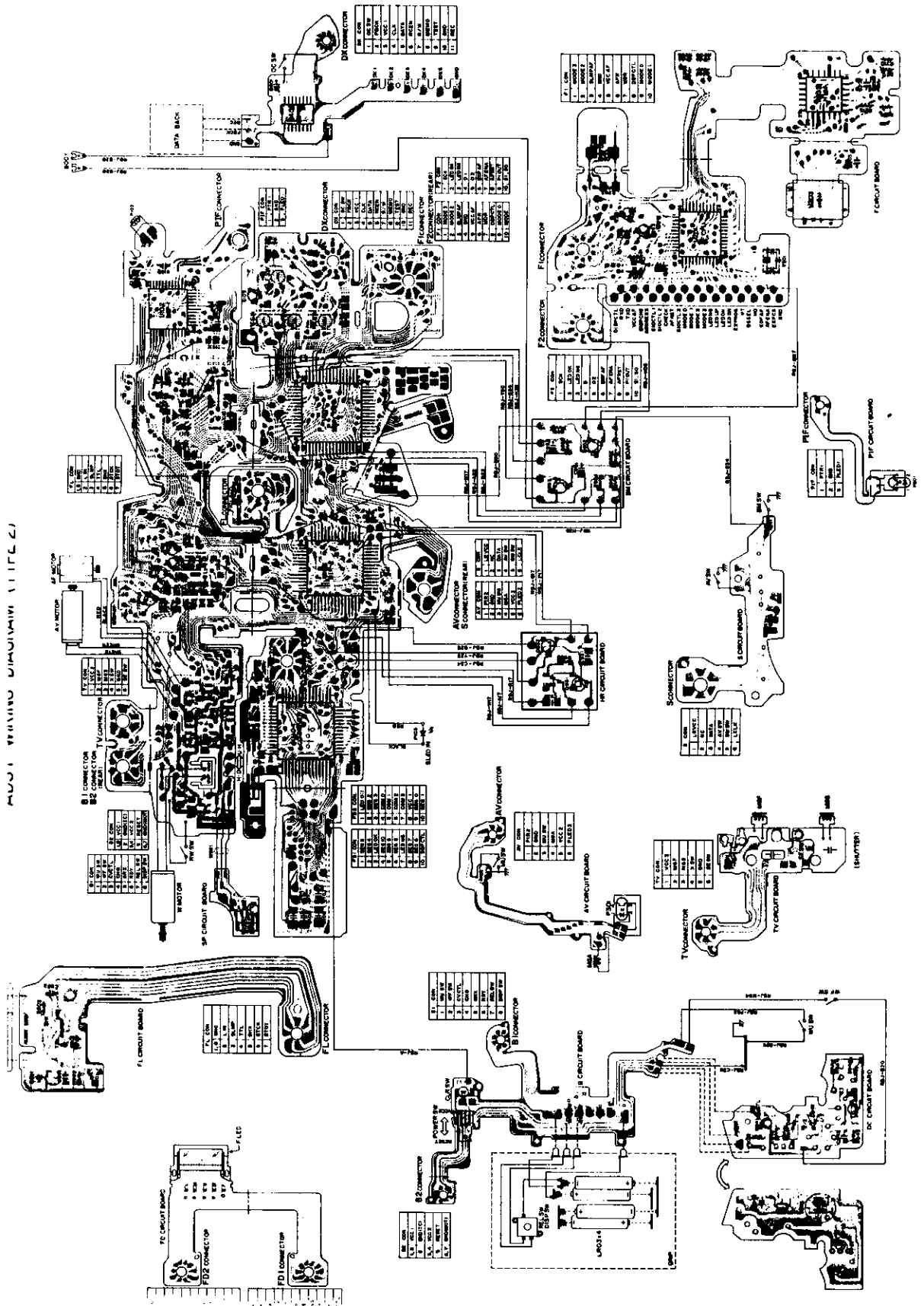
STSEL	FBSEL	AECTL	S/C	DATA
X	X	L	H	CPU = Δ
L	H	H	L	CPU = ST
H	L	H	L	CPU = FB
L	H	H	H	ST = CPU
H	L	H	H	FB = CPU

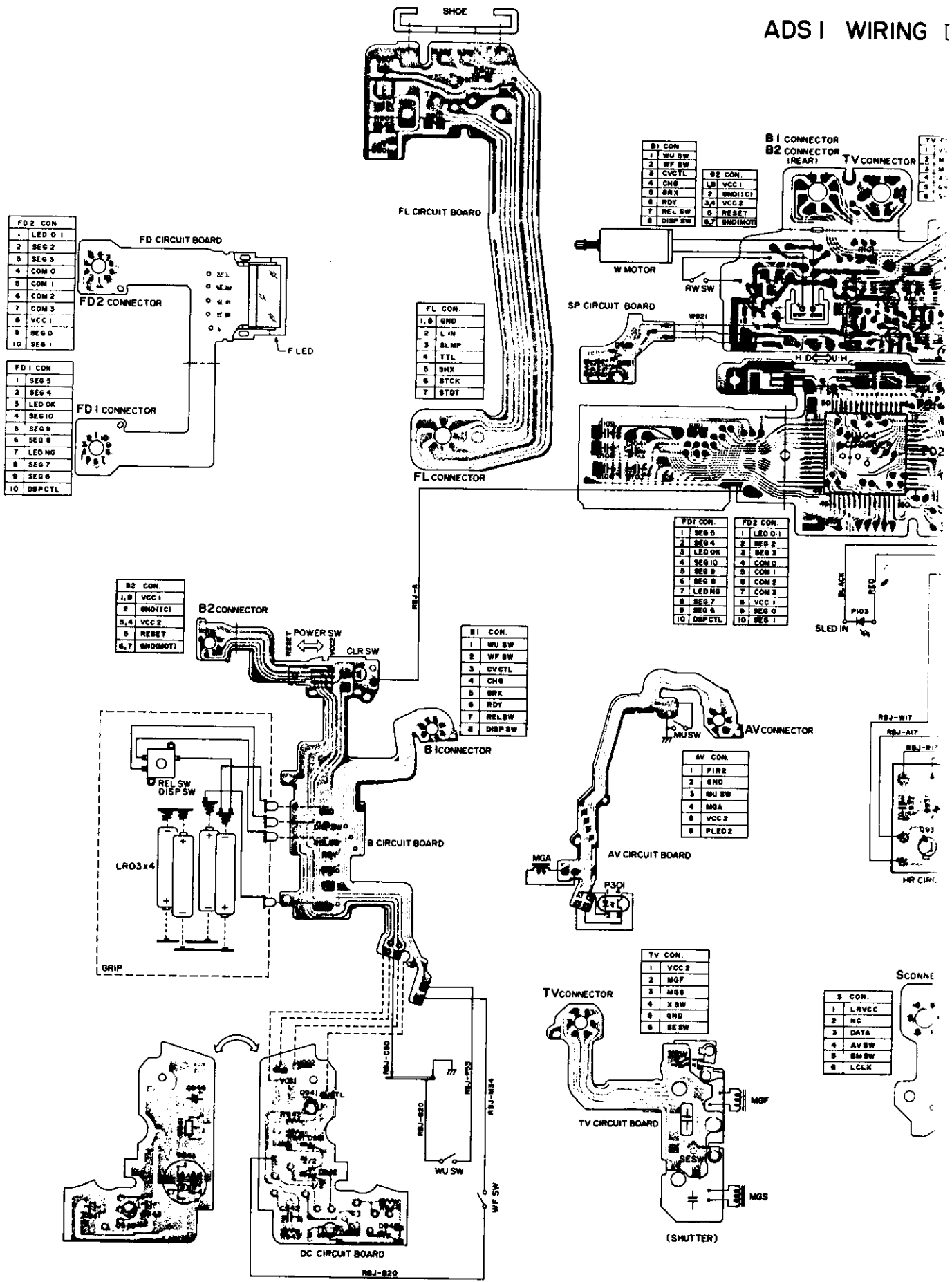
U201
AFCPU

U202
HIM

U203
HSM

MULTI TERMINAL DIAGRAM (11FEZ)





FD2 CON

1	LED O 1
2	SEG 2
3	SEG 3
4	COM 0
5	COM 1
6	COM 2
7	COM 3
8	VCC 1
9	SEG 0
10	SEG 1

FD1 CON

1	SEG 4
2	SEG 4
3	LED OK
4	SEG 10
5	SEG 9
6	SEG 8
7	LED NG
8	SEG 7
9	SEG 6
10	DISPCTL

FL CON

1,8	GND
2	L IN
3	SLMP
4	YTL
5	BMX
6	STCK
7	STDT

B1 CON

1	WU SW
2	WF SW
3	CVCTL
4	CH8
5	BRX
6	RDY
7	REL SW
8	DISP SW

B2 CON

1,8	VCC 1
2	GND(IG)
3,4	VCC 2
5	RESET
6,7	GND(MOT)

B3 CON

1	WU SW
2	WF SW
3	CVCTL
4	CH8
5	BRX
6	RDY
7	REL SW
8	DISP SW

B2 CON

1,8	VCC 1
2	GND(IG)
3,4	VCC 2
5	RESET
6,7	GND(MOT)

B1 CON

1	WU SW
2	WF SW
3	CVCTL
4	CH8
5	BRX
6	RDY
7	REL SW
8	DISP SW

FD1 CON

1	SEG 5
2	SEG 4
3	LED OK
4	SEG 10
5	SEG 9
6	SEG 8
7	LED NG
8	SEG 7
9	SEG 6
10	DISPCTL

FD2 CON

1	LED O 1
2	SEG 2
3	SEG 3
4	COM 0
5	COM 1
6	COM 2
7	COM 3
8	VCC 1
9	SEG 0
10	SEG 1

AV CON

1	FIR2
2	GND
3	MU SW
4	MGA
5	VCC 2
6	PLEO 2

TV CON

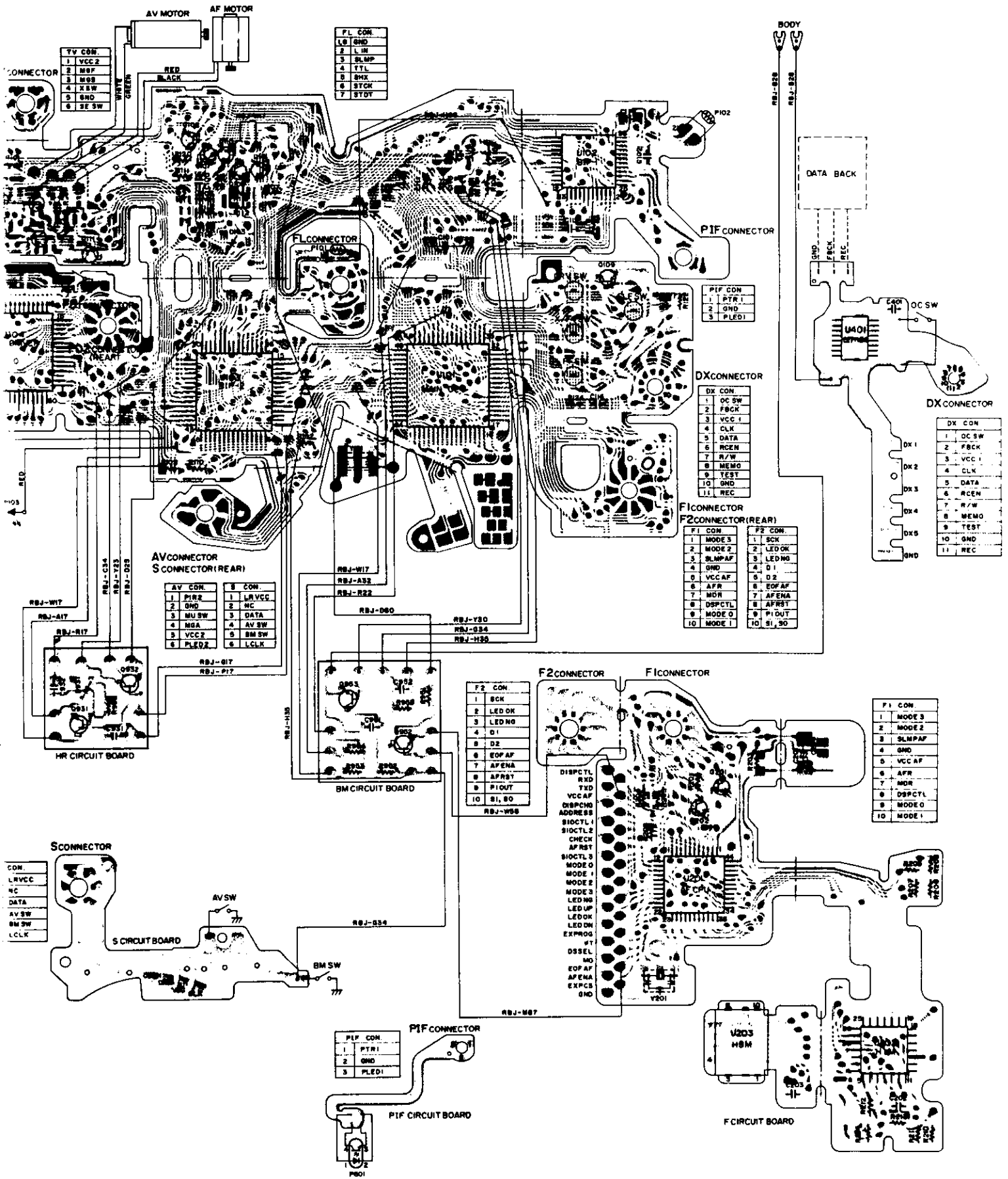
1	VCC 2
2	MGP
3	MGS
4	X SW
5	GND
6	RESW

SCONNE

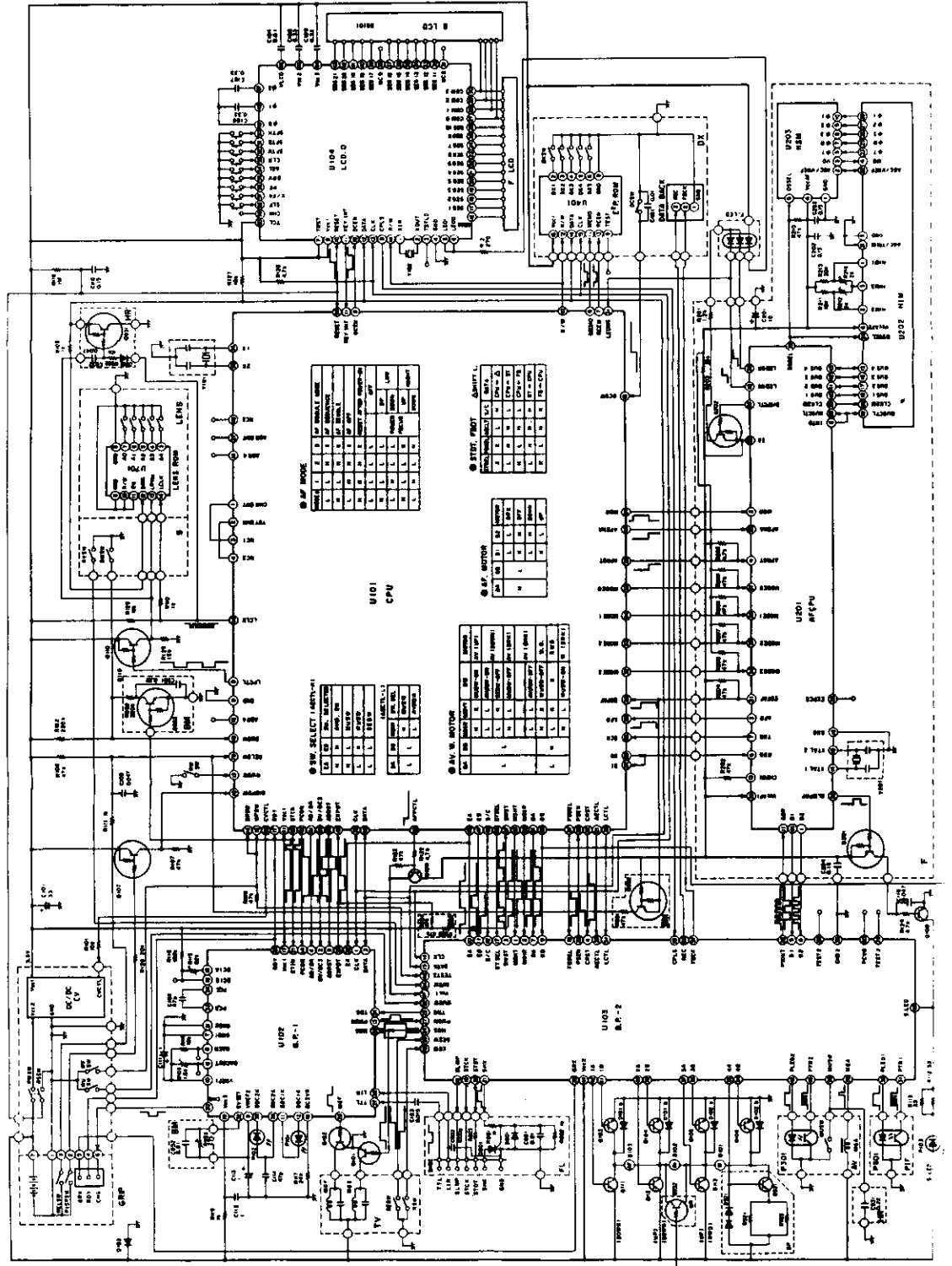
1	LRVCC
2	NC
3	DATA
4	AV SW
5	BM SW
6	LCLK

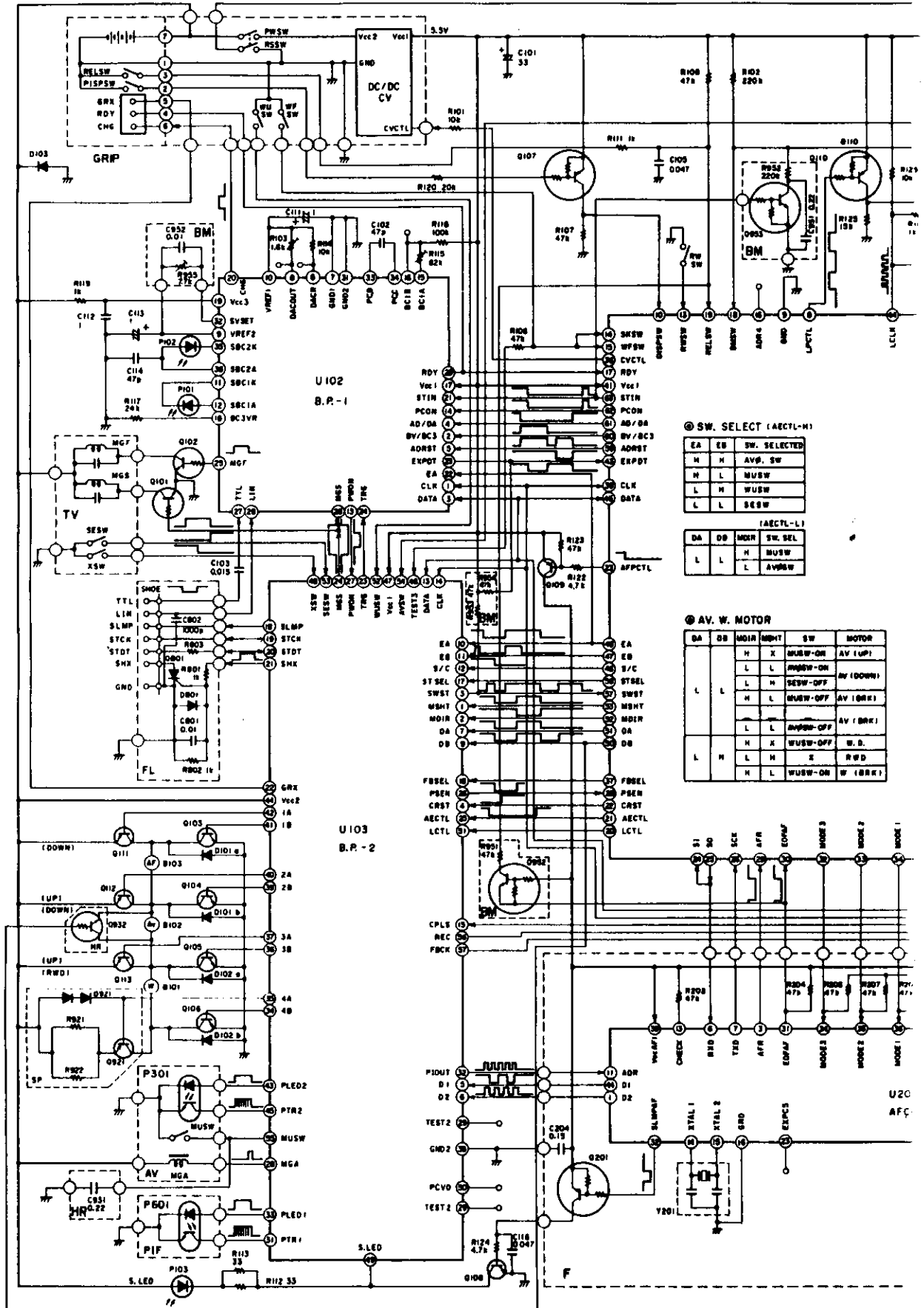
WIRING DIAGRAM (TYPE 2)

NO. J-2



ADS1 CIRCUIT DIAGRAM (TYPE2)





SW SELECT (AECTL-L1)

EA	EB	SW. SELECTED
H	H	AVP. SW
H	L	MUSW
L	H	WUSW
L	L	SESW

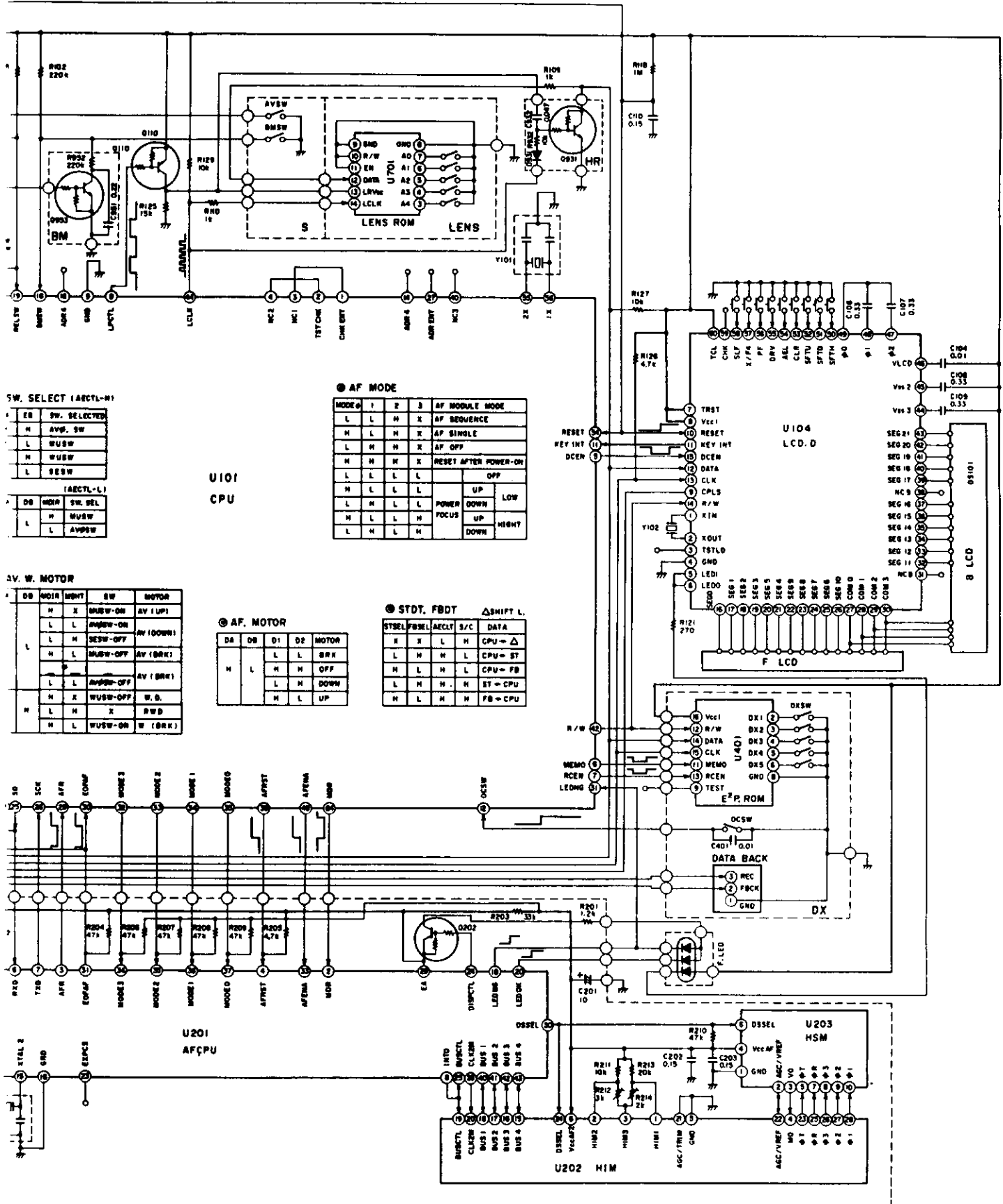
(AECTL-L1)

DA	DB	MDIR	SW. SEL
L	L	L	AVMSW

AV. W. MOTOR

DA	DB	MDIR	MSWT	SW	MOTOR
L	L	H	X	MUSW-ON	AV (UP)
		L	L	MUSW-ON	AV (DOWN)
		L	H	SESW-OFF	AV (BRK)
		H	L	MUSW-OFF	AV (BRK)
L	H	L	L	WUSW-OFF	W. B.
		H	H	WUSW-OFF	R. B.

CIRCUIT DIAGRAM (TYPE2)



DC/DC CV · CIRCUIT DIAGRAM

No. J-1b

